



PETERSON
MANUFACTURING COMPANY

Wesbar®



Bargman®

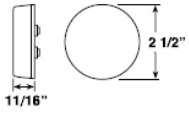
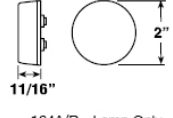
F



129 PIRANHA LED CLEARENCE/SIDE MARKER					153 PIRANHA LED CLEARENCE/SIDE MARKER				
	Part No.	Description	Pack	Std. carton		Part No.	Description	Pack	Std. Car- ton
	V129KA	amber kit	Viz Pack			V153KA	amber kit	Viz pack	
	V129KR	red kit	Viz Pack			V153KR	red kit	Viz Pack	
						M153A	amber	mfg. pack	
						M153R	red	mfg. pack	
						150-095	mounting bracket	poly pack	
						*153-49		poly pack	
					B153-49		mfg. pack		

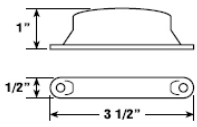
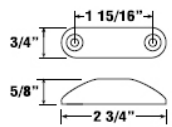
160 PIRANHA LED THIN LINE CLEARENCE / SIDE MARKER					161 PIRANHA LED CLEARENCE / SIDE MARKER				
	Part No.	Description	Pack	Std. carton		Part No.	Description	Pack	Std. Carton
	V160KA	amber kit	Viz Pack			V161KA	amber kit	Viz Pack	
	V160KR	red kit	Viz Pack			V161KR	red kit	Viz Pack	
	*M160A	amber	mfg. pack	50		*M161A	amber	mfg. pack	50
	*M160R	red	mfg. pack	50		*M161R	red	mfg. pack	50
	*160-242	gasket	mfg. pack	100		*154-09K	grey bracket	poly pack	
	*160-491	plug	poly pack	12		*160-491	plug	poly pack	12
	*B160-491	plug	mfg. pack	100		*B160-491	plug	bulk pack	



172 PIRANHA 2 1/2" LED CLEARENCE / SIDE MARKER					174 PIRANHA 2 LED CLEARENCE / SIDE MARKER				
	Part No.	Description	Pack	Std. carton		Part No.	Description	Pack	Std. Carton
	V172KA	amber kit	Viz Pack			V174KA	amber kit	Viz Pack	
	V172KR	red kit	Viz Pack			V174KR	red kit	Viz Pack	
	M172A	amber	mfg pack			M174A	amber	mfg pack	
	M172R	red	mfg. pack			M174R	red	mfg pack	
	B142-18	grommet	mfg. pack			B146-18	grommet	mfg pack	

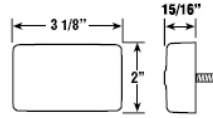
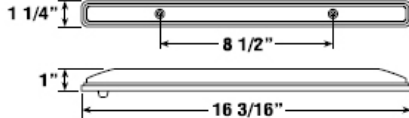
162/182 PIRANHA LED 2 1/2" CLEARENCE/SIDE MARKER LIGHTS					164/184 PIRANHA LED 2 1/2" CLEARENCE/SIDE MARKER LIGHTS					
	Part No.	Description	Pack	Std. carton		Part No.	Description	Pack	Std. Carton	
	V162KA	amber kit	Viz Pack	6		V164KA	amber kit	Viz pack		
	V162KR	red kit	Viz Pack	6		V164KR	red kit	Viz pack		
	162-49	plug	mfg. pack			B146-18	grommet	mfg pack		
	B162-49	plug	mfg. pack			B162-49	plug	mfg pack	100	

	
	164A/R--Lamp Only



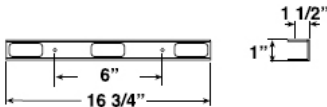
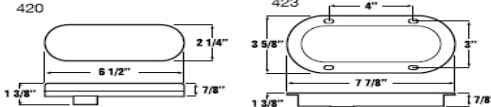
167 PIRANHA LED THIN LINE CLEARENCE / SIDE MARKER					168 PIRANHA LED SLIM LINE CLEARENCE / SIDE MARKER					
	Part No.	Description	Pack	Std. carton		Part No.	Description	Pack	Std. Carton	
	V167KA	amber kit	Viz Pack			*V168A	amber kit	Viz Pack	6	
	V167KR	red kit	Viz Pack			*V168R	red kit	Viz Pack	6	
	M167A	amber	mfg. pack			M168XA	amber	mfg. pack		
	M167R	red	mfg. pack			M168XR	red	mfg. pack		
	B167-09	bracket	mfg. pack			*M168A	grey bracket	poly pack	50	
	*167-49	plug	mfg pack			*M168R	plug	poly pack	50	
	B167-491	rt angle plug	mfg. pack							




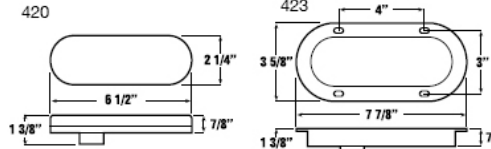
	
---	---



170 PIRANHA LED CLEARENCE / SIDE MARKER WITH REFLEX					169 PIRANHA LED IDENTIFICATION BAR					
	Part No.	Description	Pack	Std. carton		Part No.	Description	Pack	Std. Carton	
	M170A	amber	mfg. pack			V169-3R	red	mfg. pack		
	M170R	red	mfg. pack			M169-3R	red	mfg. pack		



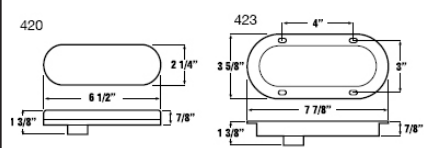
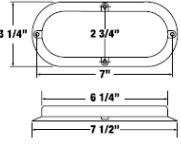
	
---	--

T PETERSON LIGHTS

160 PIRANHA LED IDENTIFICATION BAR					420/423 PIRAHNA LED OVAL STOP, TURN & TAIL LIGHT				
	Part No.	Description	Pack	Std. carton		Part No.	Description	Pack	Std. Carton
	160-3R	Red LED I.D. Bar	Poly Pack			V420KR	red kit	Viz Pack	
	*160-493	Replacement Harness	Poly pack	12		B421-18	grommet	mfg. pack	
									

417-2/418-2 PIRANHA ® LED 4" STOP, TURN, & TAIL LIGHT					420-2/423-2 PIRAHNA LED OVAL STOP, TURN & TAIL LIGHT					
	Part No.	Description	Pack	Std. carton		Part No.	Description	Pack	Std. Carton	
	M417R-2	LED KIT	Viz Pack	6		V420KR-2	red kit	Viz Pack		
	M417R-3	LED KIT	Viz Pack			V420KA-2	red kit w/flange	Viz Pack		
	418R-2	LED KIT	Viz Pack			M420R-1	red	mfg pack		
	M418R-3	LED KIT	Viz Pack			B421-18	grommet	mfg pack		
	V417KR-3	LED KIT	Viz Pack							
	V417KTA	LED KIT	Viz Pack							
										

M417R-5P PIRAHNA LED 4" ROUND ECONOMY STOP TURN & TAIL LIGHT					173 PIRAHNA LED 2 1/2" CLERANCE/SIDE MARKER LIGHT				
	Part No.	Description	Pack	Std. carton		Part No.	Description	Pack	Std. Carton
	M417R-5P	red w/plug	Mfg Pack			M173A	Amber	Mfg Pack	
	M417KR-5	red kit	Viz Pack			M173R	Red	Mfg Pack	
	B426-18	grommet	mfg pack						

420-KR3 PIRAHNA LED OVAL STOP, TURN & TAIL LIGHT					423-XR4 PIRAHNA LED OVAL SURFACE MOUNT STOP, TURN & TAIL LIGHT W/CHROME BEZEL				
	Part No.	Description	Pack	Std. carton		Part No.	Description	Pack	Std. Carton
	V420KR-3	red kit	Viz Pack			V423XR-4	12v red kit w/bezel	Viz Pack	
									

Stock items maybe purchased in any quantity

* = Special Order/Non-Stock

840 PIRAHNA LED UNDER 80" WIDE COMBINATION TAIL LIGHT					856 PIRAHNA LEDOVER 80" WIDE COMBINATION TAIL LIGHT				
	Part No.	Description	Pack	Std. carton		Part No.	Description	Pack	Std. Carton
	V840	Without Lic light	Viz Pack			V856	Without Lic light	Viz Pack	
	V840L	with Lic light	Viz Pack			V856L	with Lic light	Viz Pack	
	M840	Without Lic light	mfg. pack			*M856	Without Lic light	mfg. pack	
	M840L	with Lic light	mfg. pack			*M856L	with Lic light	mfg. pack	

941 PIRAHNA LED UNDER 80" WIDE REAR TRAILER LIGHT KIT					947 PIRAHNA LED OVER 80" WIDE REAR TRAILER LIGHT KIT				
	Part No.	Description	Pack	Std. carton		Part No.	Description	Pack	Std. Carton
	V941	LED Rear light kit	Viz Pack			*V947	LED Rear light kit	Viz Pack	4

420Q/423Q PIRAHNA LED SEQUENTIAL AMBER SIGNAL LIGHT									
	Part No.	Description	Pack	Std. carton					
	*420QA-p	Amber	poly pack	6					
	*423QA-P	Amber w/flange	poly pack	6					
	*421-18	grommet	mfg pack	12					
	B421-18	grommet	mfg pack						

PETERSON LIGHTS

153C GREAT WHITE LED UTILITY & LICENSE LIGHT					417C/418C GREAT WHITE LED BACK-UP LIGHT				
Image	Part No.	Description	Pack	Std. carton	Image	Part No.	Description	Pack	Std. Carton
	*153C-P	White LED	Poly Pack	6		*417C-P	White LED	Poly Pack	6
	M153C-p	White LEDt	Poly Pack			M417C-P	White LED w/moulded plug	Mfg. pack Pack	



418S PIRANHA LED AUXILLARY ROUND STROBING LIGHTS					418S PIRANHA LED AUXILLARY ROUND STROBING LIGHTS				
Image	Part No.	Description	Pack	Std. carton	Image	Part No.	Description	Pack	Std. Carton
	*417SA-1	amber	poly pack	6		*418SA-1	amber	poly pack	6
	*417SA-2	amber	poly pack	6		*418SA-2	amber	poly pack	6
	*417SR-1	red	poly pack	6		*418SR-1	red	poly pack	6
	*417SAR-2	red	poly pack	6		*418SR-2	red	poly pack	6
							*426-18	grommet	poly pack
					B426-18	grommet	mfg. pack	6	
<p>SELF-CONTAINED—NO EXTERNAL FLASHER UNIT OR STROBE CONTROLLER REQUIRED</p>					<p>SELF-CONTAINED—NO EXTERNAL FLASHER UNIT OR STROBE CONTROLLER REQUIRED</p>				

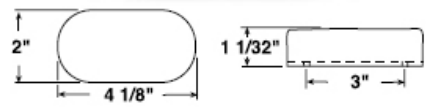
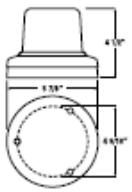
420S PIRANHA LED AUXILLARY OVAL STROBING LIGHTS					423S PIRANHA LED AUXILLARY OVAL STROBING LIGHTS				
Image	Part No.	Description	Pack	Std. carton	Image	Part No.	Description	Pack	Std. Carton
	*420SA-1	amber	Poly pack	6		*423SA-1	amber w/flange	Poly pack	6
	*420SA-2	amber	Poly pack	6		*423SA-2	amber w/flange	Poly pack	6
	*420SB-1	blue	Poly pack	6		*423SR-1	red w/flange	Poly pack	6
	*420SB-2	blue	Poly pack	6		*423SR-2	red w/flange	Poly pack	6
	*420SR-1	red	Poly pack	6		*423HSA-1	amber w/surface mount	Poly pack	6
	*420SR-2	red	Poly pack	6		*423HSA-2	amber w/surface mount	Poly pack	6
	B421-18	Grommet	mfg. pack	100		*423HSR-1	red w/surface mount	Poly pack	6
						*423HSR-2	red w/surface mount	Poly pack	6
				*421-18	Grommet	Poly pack			
				B421-18	Grommet	mfg. pack	100		

Stock items maybe purchased in any quantity

* = Special Order/Non-Stock



767 PIRANHA LED 360 ° AMBER STROBE BEACON **108 COMBINATION ONE BULB LIGHT W/REFLEX**

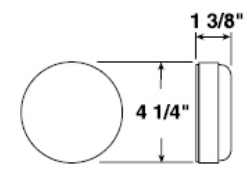
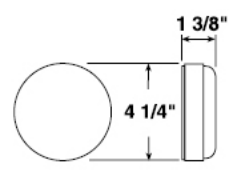
	Part No.	Description	Pack	Std. carton		Part No.	Description	Pack	Std. Carton
	*767A-2	class 2 amber	box	1		V108WA	amber	Viz Pack	
	*767A-3	class 3 amber	box	1		V108WR	red	Viz Pack	
	767-09K	pipe mount adapter kit	box	1		M108WA	amber	mfg. pack	
					M108WR	red	mfg. pack		
					V108-15A	amber lens 2 pack	Viz Pack		
					V108-15R	red lens 2 pack	Viz Pack		
					108-15A	amber lens	poly pack	10	
					108-15R	red lens	poly pack	10	
					B108-15A	amber lens	bulk pack		
					B108-15R	red lens	bolk pack		
					193 OR 194	replacement bulb			



4343A PIRANHA LED MULTI-FUNCTION DUAL/QUAD STROBE & REAR TURN SIGNAL



4343A-X PIRANHA LED MULTI-FUNCTION DUAL/QUAD STROBE & REAR TURN SIGNAL

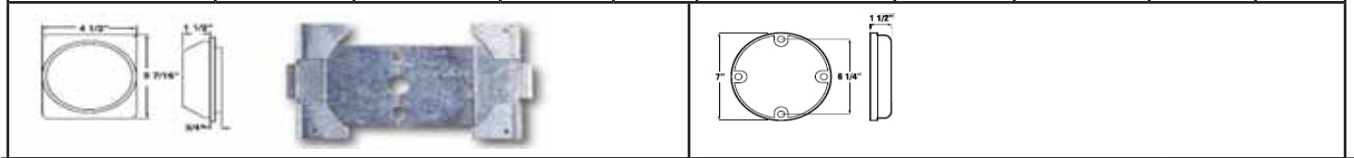
	Part No.	Description	Pack	Std. carton		Part No.	Description	Pack	Std. Carton
	*4343A-1	Curbside high w/hardshell connectors	mfg pack	50		*4343A-1X	Curbside high w/stripped wires/plug connectors	poly pack	6
	*4343A-2	Roadside high w/hardshell connectors	mfg pack	50		*4343A-2X	Roadside high w/stripped wires/plug connectors	poly pack	6
	*4343A-3	Curbside high w/hardshell connectors	mfg pack	50		*4343A-3X	Curbside high w/stripped wires/plug connectors	poly pack	6
	*4343A-4	Roadside high w/hardshell connectors	mfg pack	50		*4343A-4X	Roadside high w/stripped wires/plug connectors	poly pack	6
	*426-18	grommet	poly pack	12		*426-18	grommet	poly pack	12
	B426-18	grommet	mfg pack	100		B426-18	grommet	mfg pack	100
	*561 or 563	connector	poly pack	10		*561 or 563	connector	poly pack	10




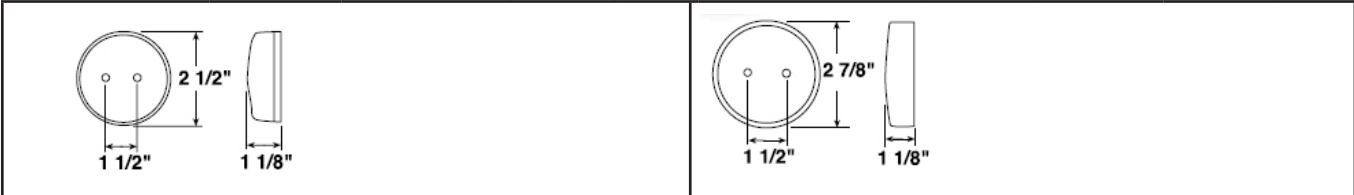
PETERSON LIGHTS



PETERSON LIGHTS

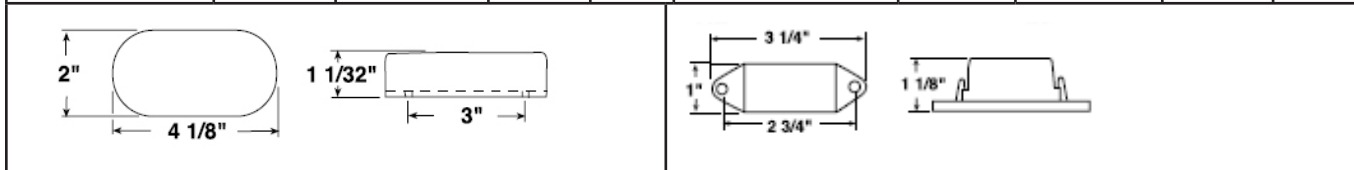
417-11 PIRANHA LED BUS & TRANSIT RECTANGULAR REPLACEMENT LENS					717 PIRANHA LED BUS LIGHTS				
	Part No.	Description	Pack	Std. carton		Part No.	Description	Pack	Std. Carton
	*417TA-11K	Amber rear kit	poly pack	8		*717A	amber LED bus light	poly pack	20
	*417R-11K	Red Kit	poly pack	8		*717R	Red LED bus light	poly pack	20




100 SURFACE MOUNT LIGHT					120 SURFACE MOUNT LIGHT				
	Part No.	Description	Pack	Std. carton		Part No.	Description	Pack	Std. Carton
	M100A	amber	mfg pack			V102A	amber	Viz pack	6
	M100R	red	mfg pack			V102R	red	Viz pack	6
	B100-15A	amber lens	bulk			M102A	amber	mfg pack	100
	B100-15R	red lens	bulk			M102R	red	mfg pack	100
	193 or 194	replacement bulb				102-15A	amber lens	poly pack	10
				102-15R	red lens	poly pack	10		
				193 or 194	replacement bulb				

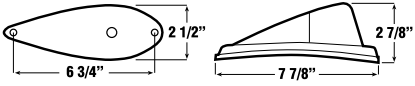
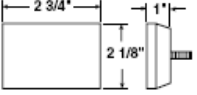



106 COMBINATION 2-BULB LIGHT W/REFLEX					120 SURFACE MOUNT LIGHT 6 PACKAGE				
	Part No.	Description	Pack	Std. carton		Part No.	Description	Pack	Std. Carton
	M106A	amber	mfg pack			V107WA	amber	Viz Pack	
	M106R	red	mfg pack			V107WR	red	Viz Pack	
	V108-15A	amber lens 2 pk	Viz Pack			V107-6A	amber	Viz Pack	
	V108-15R	red lens 2 pk	Viz pack			M107WA	amber	mfg pack	
	108-15A	amber lens	poly pack			M107WR	red	mfg pack	
	108-15R	red lens	poly pack			V107-15A	amber lens	Viz pack	
	B108-15A	amber lens	bulk pack			V107-15R	red lens	Viz pack	
	B108-15R	red lens	bulk pack		107-15A	amber lens	poly pack		
	193 or 194	replacement bulb			107-15R	red lens	poly pack		
					193 or 194	replacement bulb			

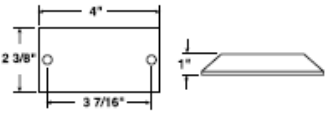
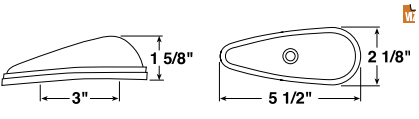





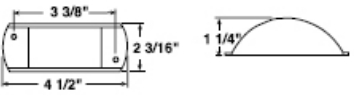
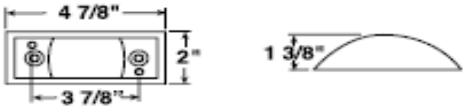
109 CAB LIGHT					114 CLEARANCE/SIDE MARKER LIGHT				
Part No.	Description	Pack	Std. carton		Part No.	Description	Pack	Std. Carton	
V109A	amber	Viz pack			V114A	amber	Viz pack		
67	replacement bulb				V114R	red	Viz pack		
					M114A	amber	mfg pack		
					M114R	red	mfg pack		
					114-15A	amber lens	poly pack		
					114-15R	red lens	poly pack		
					193 or 194	bulb			


	
---	---


115 CLEARANCE/SIDE MARKER LIGHT					118 CAB MARKER LIGHT				
Part No.	Description	Pack	Std. carton		Part No.	Description	Pack	Std. Carton	
M115A	amber	mfg pack			V118A	amber	Viz pack		
M115R	red	mfg pack			*V118R	red	Viz pack		
55-15A	amber	poly pack			M118A	amber	mfg pack		
55-15R	red	poly pack			*M118R	red	mfg pack		
193 or 194	replacement bulb				118-15A	amber lens	poly pack		

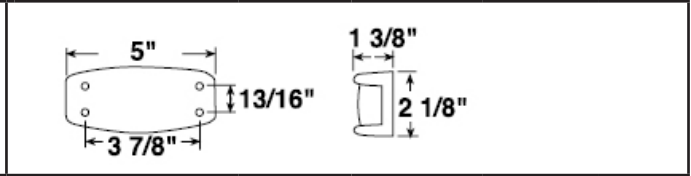
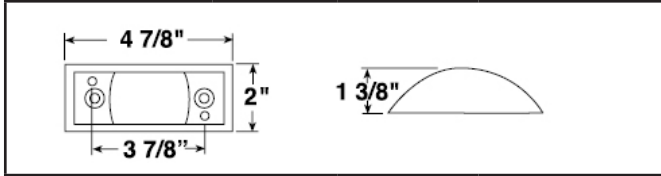
	
---	--


115 CLEARANCE/SIDE MARKER LIGHT					118 CAB MARKER LIGHT				
Part No.	Description	Pack	Std. carton		Part No.	Description	Pack	Std. Carton	
M119A	amber	mfg pack			M122A	amber	mfg pack		
M119R	red	mfg pack			M122R	red	mfg pack		
119-15A	amber	poly pack			124-15A	amber	mfg pack		
119-15R	red	poly pack			124-15R	red	mfg pack		
168	replacement bulb				193 OR 194	bulb	poly pack		


	
---	--

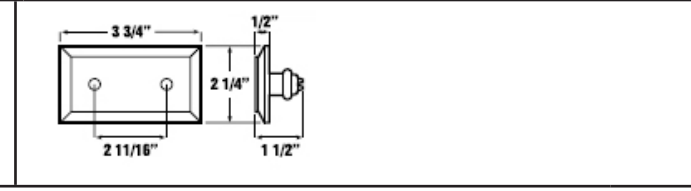
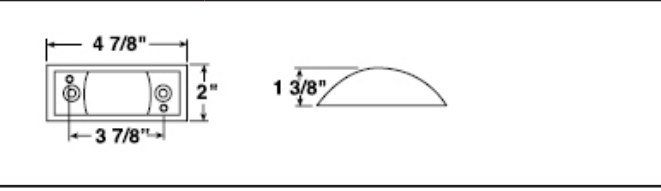
122X VANGUARD II CHROME				
	Part No.	Description	Pack	Std. carton
	V122XA	amber	Viz pack	
	V122XR	red	Viz pack	
	M122XA	amber	mfg pack	
	M122XR	red	mfg pack	
	124-15A	amber lens	poly pack	
	124-15R	red lens	poly pack	


123 CAST ALUMINUM CLEARANCE & SIDE MARKER				
	Part No.	Description	Pack	Std. Carton
	123A	amber	poly pack	
	123R	red	poly pack	
	124-15A	amber lens	poly pack	
	124-15R	red lens	poly pack	
	193 or 194	bulb		



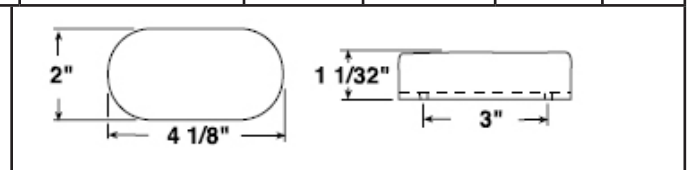
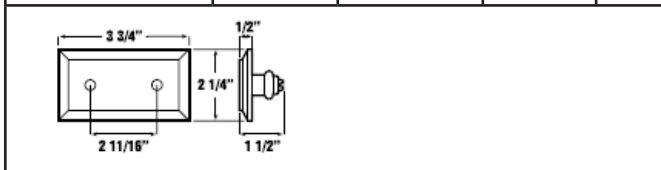
124 RECTANGULAR CLEARANCE & SIDE MARKER				
	Part No.	Description	Pack	Std. carton
	M124A	amber	mfg pack	
	M124R	red	mfg pack	
	124-15A	amber lens	poly pack	
	124-15R	red lens	poly pack	
	193 or 194	bulb		



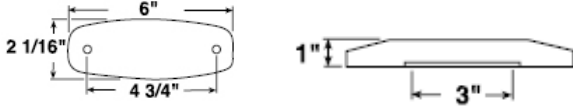
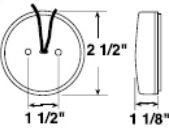
125 CLEARANCE & SIDE MARKER W/REFLEX				
	Part No.	Description	Pack	Std. Carton
	M125A	amber	poly pack	
	M125R	red	poly pack	
	125-15A	amber lens	poly pack	
	125-15R	red lens	poly pack	
	193 or 194	bulb		



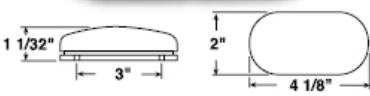
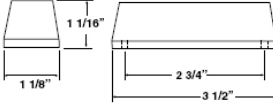




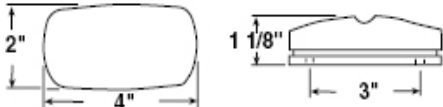
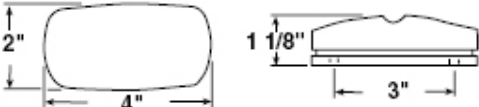
126 RECTANGULAR CLEARANCE & SIDE MARKER				
	Part No.	Description	Pack	Std. carton
	*V126A	amber	Viz pack	
	*V126R	red	Viz pack	
	M126A	amber	mfg pack	
	M126R	red	mfg pack	
	126-25A	amber lens	poly pack	WSL
	126-25R	red lens	poly pack	
	193 or 194	bulb		

128 OBLONG CLEARANCE & SIDE MARKER W/REFLEX				
	Part No.	Description	Pack	Std. Carton
	V128A	amber	Viz pack	
	V128R	red	Viz pack	
	V108-15A	amber lens	Viz pack	
	V108-15R	red lens	Viz pack	
	108-15A	amber lens	Viz pack	
	108-15R	red lens	bulk pack	
	193 or 194	bulb	bulk pack	



130 HARD HAT CLEARANCE/SIDE MARKER LIGHT WITH REFLEX					131 2-1/2" COMBINATION CLEARANCE & SIDE MARKER LIGHT				
	Part No.	Description	Pack	Std. carton		Part No.	Description	Pack	Std. Carton
	M130A	amber	mfg pack			V131A	amber	Viz pack	
	M130R	red	mfg pack			V131R	red	Viz pack	
	130-25A	amber lens	poly pack			B100-15A	amber lens	bulk pack	
	130-25R	red lens	poly pack			B100-15R	red lens	bulk pack	
	193 or 194	bulb				193 or 194	bulb		
									

135 OBLONG CLEARANCE & SIDE MARKER					136 OBLONG CLEARANCE & SIDE MARKER				
	Part No.	Description	Pack	Std. carton		Part No.	Description	Pack	Std. Carton
	V135A	amber	Viz pack			V136A	amber	Viz pack	
	V135R	red	Viz pack			V136R	red	Viz pack	
	M135A	amber	Mfg pack			136A	amber	poly pack	
	M135R	red	mfg pack			136R	red	poly pack	
	V134-15A	amber lens	Viz pack			136-15A	amber lens	poly pack	
	V134-15R	red lens	Viz pack			136-15R	red lens	poly pack	
	134-15A	amber lens	poly pack			193 or 194	bulb		
	134-15R	red lens	poly pack						
	*B134-15A	amber lens	bulk pack	100					
	*B134-15R	red lens	bulk pack	100					
	193 or 194	bulb							
									

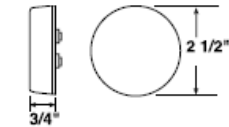
138 DOUBLE BULLS-EYE CLEARANCE AND SIDE MARKER LIGHT					139 DOUBLE BULLS-EYE CLEARANCE AND SIDE MARKER LIGHT W/ALLOY BASE				
	Part No.	Description	Pack	Std. carton		Part No.	Description	Pack	Std. Carton
	V138A	amber	Viz pack			*V139A	amber	Viz pack	6
	V138R	red	Viz pack			*V139R	red	Viz pack	6
	M138A	amber	mfg pack			M139A	amber lens	mfg pack	
	M138R	red	mfg pack			M139R	red lens	mfg pack	
	V138-15A	amber lens	Viz pack			139-18	o ring	poly pack	
	V138-15R	red lens	Viz pack						
	B138-15A	amber lens	bulk pack						
	B138-15R	red lens	bulk pack						
	B138-15C	clear lens	bulk pack						
	193 or 194	bulb							
464	24V bulb								
									

T PETERSON LIGHTS

PETERSON LIGHTS

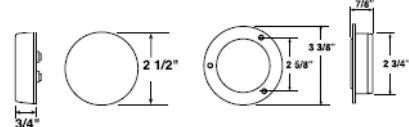
142 SEALED PC RATED 2-1/2" CLEARANCE SIDE MARKER LIGHT

Part No.	Description	Pack	Std. carton
V142A	amber	Viz pack	
V142R	red	Viz pack	
M142A	amber	mfg pack	
M142R	red	mfg pack	
B142-18	grommet	mfg pack	
142-49	plug	poly pack	12
B142-49	plug	mfg pack	
142-18K			



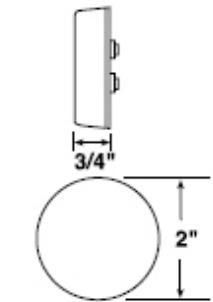
143 SEALED PC RATED 2-1/2" CLEARANCE SIDE MARKER LIGHT W/REFLEX

Part No.	Description	Pack	Std. Carton
V143A	amber	Viz pack	
V143R	red	Viz pack	
M143A	amber	mfg pack	
M143R	red	mfg pack	
B142-18	grommet	mfg pack	
142-49	plug	poly pack	12
B142-49	plug	mfg pack	
143-18K			



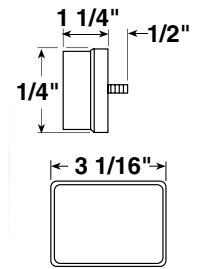
146 SERIES SEALED PC RATED 2" CLEARANCE SIDE MARKER LIGHT


Part No.	Description	Pack	Std. carton
V146A	amber	Viz pack	
V146R	red	Viz pack	
M146A	amber	mfg pack	
M146R	red	mfg pack	
*146-18	grommet	poly pack	
B146-18	grommet	mfg pack	
142-49	plug	poly pack	
B142-49	plug	mfg pack	
146-18K			





147/148 SEALED RECTANGULAR CLEARANCE SIDE MARKER LIGHT W/REFLEX


Part No.	Description	Pack	Std. Carton
M147A	amber	mfg pack	
M147R	red	mfg pack	



151 CLEARANCE/SIDE MARKER LIGHT									
	M151A	Amber	Mfg Pack						
	M151R	Red	Mfg Pack						
	M152A	Amber	Mfg Pack						
	M152R	Red	Mfg Pack						
	M152BKA	Amber Kit	Mfg Pack						
	M152BKR	Red Kit	Mfg Pack						

154 CLEARANCE & SIDE MARKER LIGHT									
	154A	Amber	Poly Pack						
	154R	Red	Poly Pack						
	M154A	Amber	Mfg Pack						
	M154R	Red	Mfg Pack						
	M154A-R	Amber/Red	Mfg Pack						
	M154C	Clear	Mfg Pack						


107-3 MINI LIGHT BAR									
	M107-3A	Amber	Mfg Pack						
	M107-3R	Red	Mfg Pack						
	V107-3R	Red	Viz Pack						
	M104-3R	Red	Mfg Pack						

188 PIRANHA ® LED CLEARANCE & SIDE MARKER LIGHT (2-WIRE)									
	188A	Amber	Poly Pack						
	188R	Red	Poly Pack						


F

PETERSON LIGHTS


**169 PIRANHA® LED
LED CLEARANCE/SIDE MARKER LIGHT**

	V169KA	Amber	Viz Pack						
	V169KR	Red	Viz Pack						

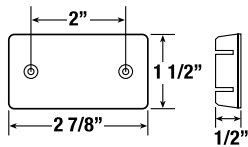
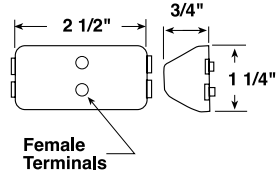
**178 PIRANHA® LED
LED CLEARANCE/SIDE MARKER LIGHT**

	V178XA	Amber	Viz Pack						
	V178XR	Red	Viz Pack						

**150-3
SUBMERSIBLE LIGHT BAR**

	M150-3A	Amber	Mfg Pack						
	M150-3R	Red	Mfg Pack						
	M151-3RL	Red Bar w/50" Lead	Mfg Pack						

150 SERIES SEALED PC CLEARANCE SIDE MARKER LIGHT			
Part No.	Description	Pack	Std. carton
V150A	amber	Viz pack	
V150R	red	Viz pack	
V150KA	amber	Viz pack	
V150KR	red	Viz pack	
M150A	amber	mfg pack	
M150R	red	mfg pack	
154-49	lead wire	poly pack	
150-092	chassis black kit	poly pack	
150-102	chassis chrome kit	poly pack	
B150-491	18" moulded lead	mfg pack	
150-10	chrome bracket	poly pack	
B150-18	black grommet	mfg pack	
142-49	6" 2-wire plug	poly pack	
B142-49	6" 2-wire plug	mfg pack	



150-09



150-10



150-102

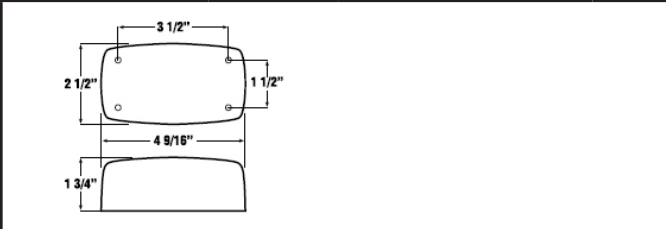


150-18

PETERSON LIGHTS

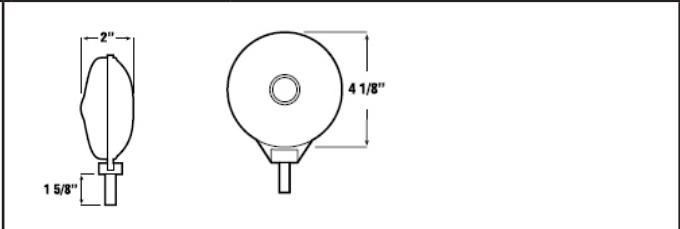
306 SURFACE-MOUNT REAR STOP, TURN, & TAIL LIGHT

Part No.	Description	Pack	Std. carton
V306R	red	Viz pack	
M306R	red	mfg pack	
306-25R	red	poly pack	
413-07	pigtail	poly pack	
306-25A			



334-2 DIECAST, SINGLE-FACE STOP TURN & TAIL LIGHT

Part No.	Description	Pack	Std. Carton
V334-2	red	Viz pack	
334-15R	red lens	poly pack	
413-07	pigtail	poly bag	
2057	bulb		
334-15A			



313-2 DOUBLE-FACE, RED/AMBER PARK & TURN SIGNAL

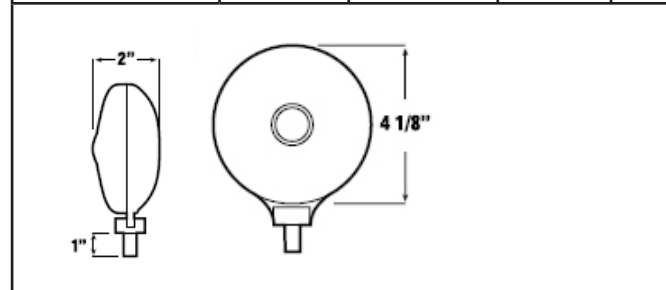
	313-2RA	Amber	Box	
	337-2	Amber/Red	Box	
	V313-2	Red	Viz Pack	
	V313-2RA	Red	Viz Pack	
	V313AA	Amber/Amber	Viz Pack	
V335-2	amber/Red	Viz Pack		

324 DOUBLE-FACE PARK & TURN SIGNAL W/SIDE MARKER

	324	Amber/Amber	Box	
	326	Amber/Red		
	326-15A	Amber	lens	
	326-15R	Red	lens	

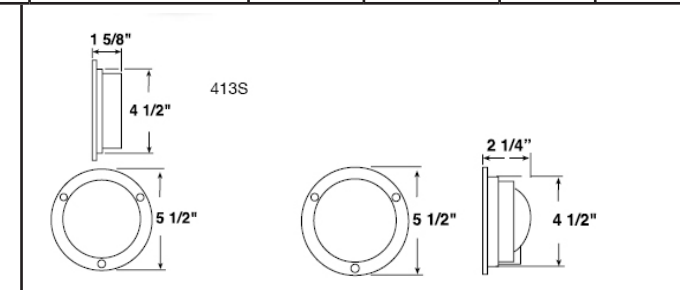
339 CHROME DIECAST, SINGLE-FACE STOP TURN & TAIL LIGHT

Part No.	Description	Pack	Std. carton
V339-2	red	Viz pack	
338-15R	red lens	poly pack	
*338-18	O-ring	poly bag	
413-07	pigtail	poly bag	
1157	bulb		



413 FLUSH-MOUNT STOP, TURN & TAIL LIGHT

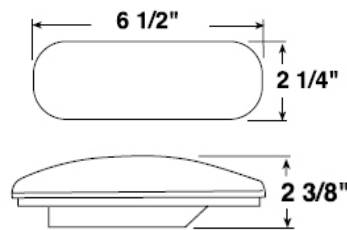
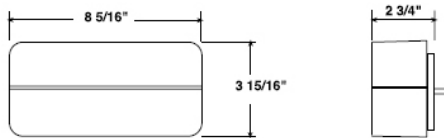
Part No.	Description	Pack	Std. Carton
V413	red		
M413S	SS red		
M413-3	red w/reflect		
410-15R	red lens		
411-24	grommet		
415-15R	reflector lens		
410-21	retainer ring		
*413-17	pigtail		
1157	bulb		



Stock items may be purchased in any quantity

* = Special Order/Non-Stock

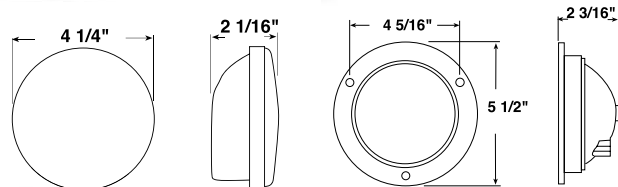
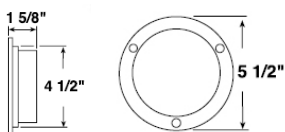
419 RECTANGULAR, COMBINATION REAR LIGHT					421 SEALED OVAL STOP, TURN, & TAIL LIGHT				
Part No.	Description	Pack	Std. carton	Part No.	Description	Pack	Std. Carton		
M419-24V	RED AMBER 24V	mfg pack		421R	red	poly pack			
				M421R	red	mfg pack			
				421KR	red kit	poly pack			
				M421KR	red kit	mfg pack			
				B421-18	grommet	mfg pack			
				B421-491	rt angle plug	mfg pack			
				431-491	plug	poly pack			
				B431-491	plug	mfg pack			
				421-09	mt bracket	box pack			
				M412A	amber				
				M421KA	amber kit				



425 FLUSH-MOUNT STOP TURN & TAIL LIGHT

426/424/429 SEALED ROUND 4" STOP, TURN & TAIL

Part No.	Description	Pack	Std. carton	Part No.	Description	Pack	Std. Carton
M425-3	red w/reflex	mfg pack		V426KR	red kit	Viz pack	
410-15R	red lens	poly pack		426R	red	poly pack	
415-15R	red lens w/reflex	poly pack		426KR	red kit	poly pack	
411-24	gasket	mfg pack		M426R	red	mfg pack	
410-21	retainer ring	poly pack		M426KR	red kit	mfg pack	
413-07	pigtail	poly pack		B426-18	grommet	mfg pack	
1157	bulb			431-491	plug	poly pack	
				B431-491	plug	mfg pack	
				426-09	Brkt		
				M426A	amber		
				M426KA	amber Kit		




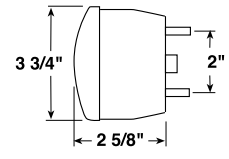
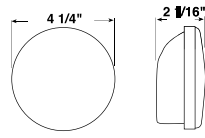
M343A	amber			M451			
M352A	amber			M451L			

PETERSON LIGHTS

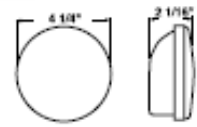
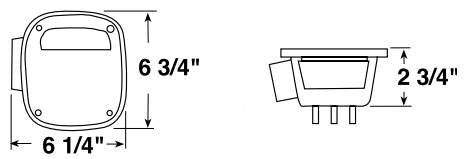
PETERSON LIGHTS

543 SUBMERSIBLE REAR LIGHTING KIT					547 CHANNEL CAT™ SUBMERSIBLE REAR LIGHTING KIT				
	V543	Kit	Viz Pack			V547	Kit	Viz Pack	

427 SEALED ROUND 4" STOP, TURN & TAIL					428 UNIVERSAL STUD MOUNT STOP, TURN & TAIL				
	Part No.	Description	Pack	Std. carton		Part No.	Description	Pack	Std. Carton
	M427R	red w/reflex	mfg pack			V428S	without lic light	Viz pack	
	427KR	red w/reflex kit	poly pack			V428W	with lic light	Viz pack	
	B426-18	grommet	mfg pack			M428W	with lic light	mfg pack	
	431-491	plug	poly pack			M428S	without lic light	Viz pack	
	B431-491	plug	nfg pack			V420-15	red lens 2 pack	poly pack	
						420-15	red lens	poly pack	
						413-07	pigtail		
					1157	BULB			



442 UNIVERSAL 3 STUD COMBO TAIL LIGHT					431R SEALED STOP, TURN & TAIL				
	Part No.	Description	Pack	Std. carton		Part No.	Description	Pack	Std. Carton
	442	curbside	box			M431R	red	mfg pack	
	442L	roadside	box			B426-18	grommet	mfg pack	
	445-25	lens	poly pack			431-491	plug	poly pack	
	1157	bulb stop turn				B431-491	plug	mfg pack	
	1158	bulb backup							





445 UNIVERSAL 3 STUD COMBO TAIL LIGHT					440 UNDER 80" WIDE COMBO LIGHT				
	Part No.	Description	Pack	Std. carton		Part No.	Description	Pack	Std. Carton
	V445	w/ lic light	Viz pack			V440	W/O lic light	Viz pack	
	445	w/ lic light	box			V440L	with lic light	Viz Pack	
	445-25	lens	poly pack			M440	W/O lic light	mfg pack	
	1157	bulb stop tail				M440L	with lic light	mfg pack	
	1156	bulb backup				V440-15	lens kit	Viz pack	
				lens		440-15	stop & tail	poly pack	
				lens		55-15R	stop marker	poly pack	
					1157	bulb stop tail			
					168	bulb side			



441 UNDER 80" WIDE SUBMERSIBLE COMBO LIGHT



444 OVER 80" WIDE COMBO LIGHT

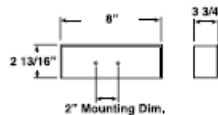
	Part No.	Description	Pack	Std. carton		Part No.	Description	Pack	Std. Carton
	M441	w/o lic light	mfg pack				M444	W/O lic light	mfg pack
M441L	with lic light	mfg pack			M444L	with lic light	mfg pack		
V440-15	lens kit	Viz pack			440-15	stop & tail lens	poly pack		
440-15	stop & tail lens	poly pack			56-15R	side marker lens	poly pack		
55-15R	side marker lens	poly pack			1157	bulb stop tail			
1157	bulb stop tail				194/193	bulb side			
1895	bulb side								



452 OVER 80" WIDE SUBMERSIBLE COMBO LIGHT



456 OVER 80" WIDE SUBMERSIBLE COMBO TAIL LIGHT

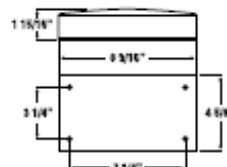
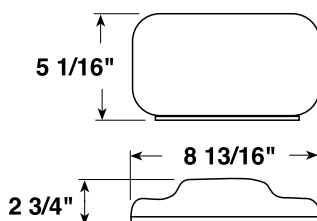
	Part No.	Description	Pack	Std. carton		Part No.	Description	Pack	Std. Carton
	V452	w/o lic light	Viz pack				*V456	curbside	Viz pack
V452L	with lic light	Viz pack			*V456L	roadside	Viz pack	6	
M452	w/o lic light	mfg pack			*M456	curbside	Mfg pack	30	
M452L	with lic light	mfg pack			*M456L	roadside	mfg pack	30	
440-15	stop tail lens	poly pack			1157	bulb stop turn			
56-15R	side marker lens	poly pack			193/194	bulb side			
1157	bulb stop tail								
193/194	bulb side								



457 COMBO TAIL LIGHT





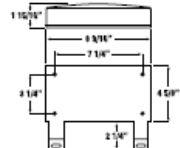
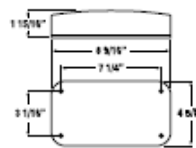
25911/25912 RV STOP, TURN, TAIL W/REFLEX

	Part No.	Description	Pack	Std. carton		Part No.	Description	Pack	Std. Carton
	M457	w/o lic light	mfg pack				*V25911	red	Viz pack
M457L	with lic light	mfg pack			*V25912	red w/backup	Viz pack	10	
B457-15	lens	poly pack			V25911-25	lens	Viz pack	10	
B457L-15	lens	poly pack			*V25912-25	lens w/ backup	Viz pack	10	
1157	bulb				1157	bulb S/T/T/			
					1156	bulb backup			









T PETERSON LIGHTS



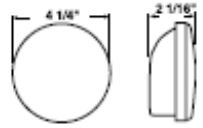
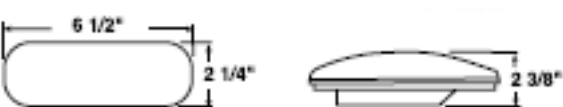
PETERSON LIGHTS
LL

25913/25914 RV STOP, TURN, TAIL LIC LIGHT W/REFLEX					25921/25922 RV STOP, TURN, TAIL LIC LIGHT W/REFLEX				
	Part No.	Description	Pack	Std. carton		Part No.	Description	Pack	Std. Carton
	*V25913	red w/license light & brackrt	Viz Pack	10		*V25921	red w/license light & brackrt	Viz Pack	10
	*V25914	red w/license light, brackrt & backup	Viz Pack	10		*V25922	red w/license light, brackrt & backup	Viz Pack	10
	*V25913-25	red lens w/lic light	Viz Pack	10		*V25921-25	red lens w/lic light	Viz Pack	10
	*V25914-25	red lens w/ license light & back up	Viz Pack	10		*V25922-25	red lens w/ license light & back up	Viz Pack	10
	1157	Bulb S/T/T				1157	Bulb S/T/T		
	1156	bulb, backup				1156	bulb, backup		
									



25923/25924 RV STOP, TURN, TAIL LIC LIGHT W/REFLEX					540/545 UNDER 80" WIDE TRAILER LIGHT KIT				
	Part No.	Description	Pack	Std. carton		Part No.	Description	Pack	Std. Carton
	*V25923	red w/license light & brackrt	Viz Pack	10		V540	20FT harness	Viz Pack	
	*V25924	red w/license light, brackrt & backup	Viz Pack	10		M545	25Ft harness	Box pack	
	*V25923-25	red lens w/lic light	Viz Pack	10	V440-15	lens kit	Viz Pack		
	*V25924-25	red lens w/ license light & back up	Viz Pack	10	440-15	lens, stop & tail	poly pack		
	1157	Bulb S/T/T			55-15R	red side marker lens	poly pack		
	1156	bulb, backup			114-15A	amber lens	poly pack		
					1157	bulb stop & tail			
					168	bulb rear marker			
					194/93	bulb front marker			
									

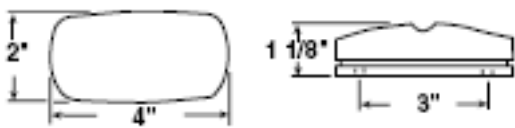
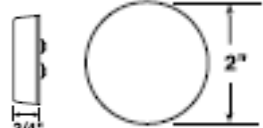
544 OVER 80" WIDE SUBMERSIBLE REAR LIGHT KIT					392 BACK-UP LIGHT				
	Part No.	Description	Pack	Std. carton		Part No.	Description	Pack	Std. Carton
	V544	kit	Viz Pack			V392C	clear kit	Viz pack	
	M544	kit	box pack			392-25C	lens	poly pack	
	V440-15	lens kit	Viz Pack			411-07	pigtail	poly pack	
	440-15	lens, stop/tail	poly pack			1156	bulb		
	56-15R	lens, side marker	poly pack						
	1157	bulb, stop/turn							
	194/193	bulb, side marker							
440LP light protector available see bracket section									



393 BACK-UP LIGHT					411 4" ROUND W/FLANGE BACK-UP LIGHT				
	Part No.	Description	Pack	Std. carton		Part No.	Description	Pack	Std. Carton
	M393C	clear	poly pack			M411C	clear	mfg pack	
	*306-25C	lens	poly pack	10		410-21	retainer ring	mfg pack	
	411-07	pigtail	poly pack			411-24	mount gasket	mfg pack	
	1141	bulb				411-07	pigtail	poly pack	
						414-15C	lens	poly pack	
					1156	bulb			
									

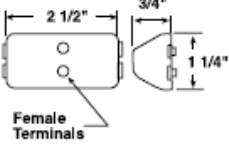
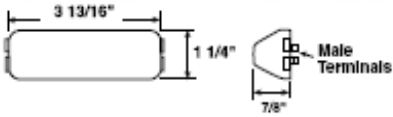
415 SEALED 4" ROUND BACK-UP LIGHT					416 SEALED OVAL BACK-UP LIGHT				
	Part No.	Description	Pack	Std. carton		Part No.	Description	Pack	Std. Carton
	415	clear	poly pack			416K	clear kit	mfg pack	
	415K	clear kit	poly pack			M416	clear	poly pack	
	M415	clear	mfg pack			B421-18	grommet	nfg pack	
	B426-18	grommet	mfg pack			B421-49	rt angle plug	mfg pack	
	B431-49	plug	mfg pack						
									




PETERSON LIGHTS

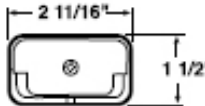

138 DOUBLE BULLS-EYE UTILITY LIGHT					146 SEALED 2" UTILITY LIGHT				
	Part No.	Description	Pack	Std. carton		Part No.	Description	Pack	Std. Carton
	B138-15C	lens only	bulk pack			M146C	clear	mfg pack	
	193/194	bulb				146-18K	plug/grommet kit	poly pack	
						B146-18	grommet	mfg pack	
						142-49	plug	poly pack	
				B142-49	plug	mfg pack			



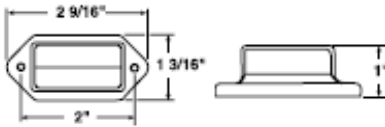
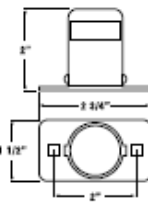
	
---	--



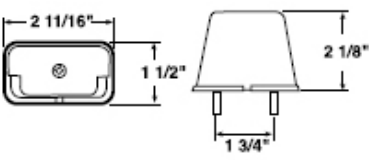
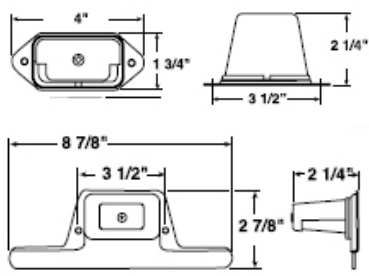
150 SEALED LICENSE PLATE/UTILITY LIGHT					154 SEALED LICENSE PLATE/UTILITY LIGHT				
	Part No.	Description	Pack	Std. carton		Part No.	Description	Pack	Std. Carton
	M150C	clear/painted	mfg pack			M154C	clear painted	mfg pack	
	M150W	clear	mfg pack						
	*150-09	gray bracket	mfg pack	12					
	*B150-14	gray license light bracket	mfg pack	100					
	142-49	plug	mfg pack						
	B142-49	plug	mfg pack						



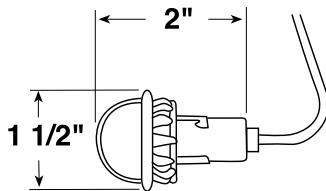
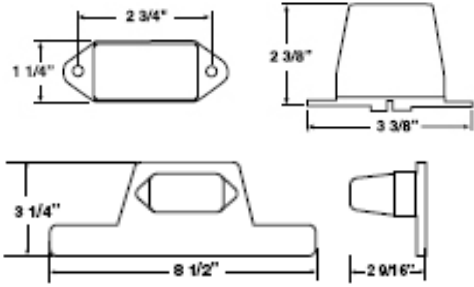
	
---	--



437 CHROME LICENSE PLATE/UTILITY LIGHT					400 LICENSE PLATE LIGHT				
	Part No.	Description	Pack	Std. carton		Part No.	Description	Pack	Std. Carton
	M437	Clear	Mfg Pack			M400	clear	mfg pack	
						168	bulb		

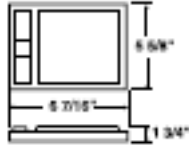

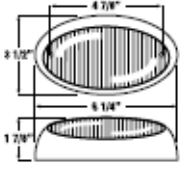
	
--	---


434 MINI UTILITY/COURTESY LIGHT					435 CHROME LICENSE PLATE LIGHT				
	Part No.	Description	Pack	Std. carton		Part No.	Description	Pack	Std. Carton
	V434	clear	Viz pack			V435	clear	Viz pack	
	M434	clear	mfg pack			M435	clear	mfg pack	
	193/194	bulb				67	bulb		
									

436X CHROME STUD MOUNT LICENSE PLATE LIGHT					436 LICENSE PLATE LIGHT				
	Part No.	Description	Pack	Std. carton		Part No.	Description	Pack	Std. Carton
	V436SX	clear	Viz pack			M436	clear	mfg pack	
	436SX	clear	poly pack			M436B	clear with steel brkt	mfg pack	
	436-25	lens	poly pack			436-25	lens	poly pack	
	168	bulb				436-01	gray housing	poly pack	
					168	bulb			
									



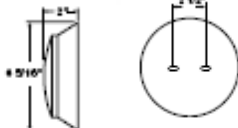
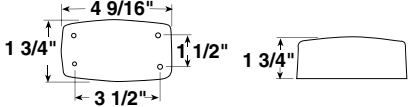
438 SEALED/ 432 CHROME LICENSE PLATE/ UTILITY LIGHT					439 SEALED LICENSE PLATE LIGHT				
	Part No.	Description	Pack	Std. carton		Part No.	Description	Pack	Std. Carton
	V438	clear	Viz pack			M439	clear	mfg pack	
	438	clear	poly pack			*M439B	clear with brkt	mfg pack	6
	168	bulb				142-49	plug	poly pack	
				B142-49		plug	mfg pack		
									

375/376/377/378 INTERIOR CEILING LIGHT NEW					382/383 EURO-STYLE OVAL PORCH/UTILITY LIGHT				
	Part No.	Description	Pack	Std. carton		Part No.	Description	Pack	Std. Carton
	*V375S	single translucent	Viz pack	6		*V382S	amber/clear with switch	Viz pack	
	*V376S	single clear	Viz pack	6		*M382A	amber w/ switch	mfg pack	
	*V377S	double translucent	display box	6		*M382C	clear w/ switch	mfg pack	
	*V378S	double clear	Viz pack	6		*M383A	Amber no switch	mfg pack	
	*375-15C	clear lens	poly pack	25		*M383C	clear no switch	mfg pack	
	*375-15W	white lens	poly pack	25		*383-25C	clear lens	poly pack	
	1003	bulbbulb			*383-25A	amber lens	poly pack		
					1141	bulb			



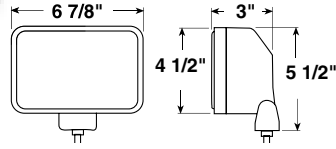
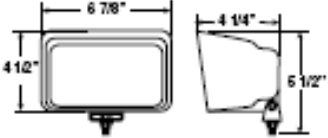
		
---	---	--


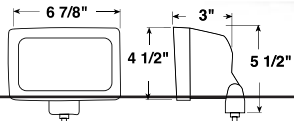
384/385 RECTANGLE PORCH/UTILITY LIGHT					389 DOME LIGHT				
	Part No.	Description	Pack	Std. carton		Part No.	Description	Pack	Std. Carton
	V384	polar white kit no switch	Viz pack			M389S	alkuminum	mfg pack	
	V384S	polar white kit with switch	Viz pac			389-15C	lens	poly pack	
	V385S	colonial white with switch	Viz pac			1141	bulb		
	M385S	colonial with switch, clear lens	mfg pack						
	384-15A	amber lens	poly pack						
	384-15C	clear lens	poly pack						
	93	bulb							
	2557C	clear polar white w?switch	bulk						





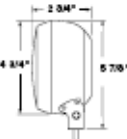
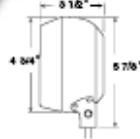
390 DOME LIGHT					391 INTERIOR LIGHT				
	Part No.	Description	Pack	Std. carton		Part No.	Description	Pack	Std. Carton
	V390S	plastic	Viz pack			V391C	clear	Viz pack	
	M390S	plastic	mfg pack			1141	bulb		
	390-15	lens	poly pack						
	1141	bulb							
									



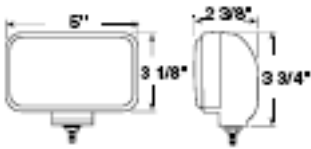
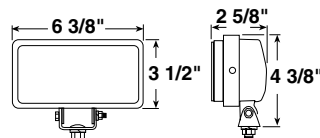
395 DOME LIGHT/UTILITY LIGHT NEW					433S INTERIOR COURTESY LIGHT				
	Part No.	Description	Pack	Std. carton		Part No.	Description	Pack	Std. Carton
	M395C	clear	mfg pack			V433S	clear	Viz pack	
	700--15C	lens	poly pack			*433-15C	lens	poly pack	10
	1156	bulb				193/194	bulb		
									



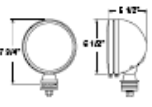
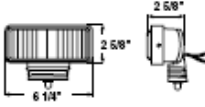
503 3" X 5" TRACTOR WORK LIGHT					509 4" X 6" HALOGEN RUBBER TRACTOR LIGHT				
	Part No.	Description	Pack	Std. carton		Part No.	Description	Pack	Std. Carton
	V503HF	flood	Viz pack			M509	trapezoid	mfg pack	
	V503HT	trapezoid	Viz pack						
									



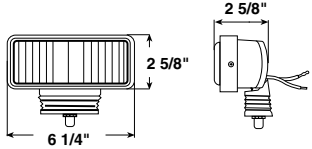
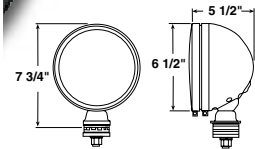
					504 4" X 6" TRACTOR/WORK LIGHT				
	Part No.	Description	Pack	Std. Carton		Part No.	Description	Pack	Std. Carton
						V504HF	flood	Viz pack	
									

T PETERSON LIGHTS

507 PAR 36 RUBBER TRACTOR LIGHT					508 PAR 36 RUBBER TRACTOR LIGHT				
	Part No.	Description	Pack	Std. carton		Part No.	Description	Pack	Std. Carton
	V507	trapezoid	Viz pack			508	trapezoid	poly	
	M507	trapezoid	mfg pack			4411	bulb		
	4411	bulb							
	507F	Flood							
									

525 NIGHTWATCHER LX HALOGEN DOCKING LIGHT					526 NIGHTWATCHER LX CLEAR DRIVING LIGHT				
	Part No.	Description	Pack	Std. carton		Part No.	Description	Pack	Std. Carton
	V525S-2	kit w/1 1/2" SS bolt	Viz pack	3		M526	clear	mfg pack	
	VH550	bulb				V520-10	wire kit	Viz pack	
									


531 NIGHTWATCHER LX CHROME OFF ROAD LIGHT					527 NIGHTWATCHER LX SLIM LINE AMBER FOG LT				
	Part No.	Description	Pack	Std. carton		Part No.	Description	Pack	Std. Carton
	V531	chrome	Viz pack			V527-1	amber fog light kit	Viz pack	
	VH549	bulb	Viz pack			VH550	bulb	Viz pack	
									



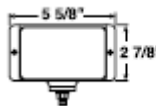
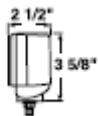
529 NIGHTWATCHER LX SLIM LINE CLEAR DRIVING					530 NIGHTWATCHER LX CHROME OFF ROAD LIGHT				
	Part No.	Description	Pack	Std. carton		Part No.	Description	Pack	Std. Carton
	V529-1	clear fog ligh kit	Viz pack			V530	black	Viz pack	
	VH550	bulb	Viz pack			VH549	bulb	Viz pack	
									

Stock items may be purchased in any quantity

* = Special Order/Non-Stock

562 NIGHTWATCHER LX CHROME OE STYLE CLEAR DRIVING LIGHT					586 NIGHTWATCHER LX COMPACT SQUARE ION DRIVING LIGHT				
	Part No.	Description	Pack	Std. carton		Part No.	Description	Pack	Std. Carton
	V562-1	clear driving light kit	Viz pack			V586-2	black driving light kit	Viz pack	
	*4473	lens	mfg pack						
	VH550	bulb	Viz pack						
									

556 NIGHTWATCHER® MINI-SLIM ION CLEAR FOG LIGHT									
	Part No.	Description	Pack						
	V556-2	Clear fog Kit	Viz Pack						



520-09 NIGHTWATCHER LX CLAMP ON MOUNTING BRACKET					566 NIGHTWATCHER LX CLEAR OE STYLE FOG LIGHT				
	Part No.	Description	Pack	Std. carton		Part No.	Description	Pack	Std. Carton
	*V520-09	mounting bracket	Viz pack	12		V566-1	Clear driving light kit	Viz pack	
						*4473	lens	mfg pack	
						VH550	bulb	Viz pack	
									

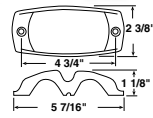
552 NIGHTWATCHER® O.E.-STYLE AMBER FOG LIGHT					583 NIGHTWATCHER LX OE STYLE PROJECTOR DRIVING LIGHT				
	Part no.	Description	Pack			Part No.	Description	Pack	Std. Carton
	V552-2	amber fog kit	Viz Pack			V583-2	Clear driving light kit	Viz pack	
						*4473	lens	mfg pack	
						VH550	bulb	Viz pack	
									



PETERSON LIGHTS

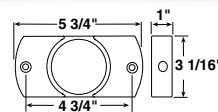
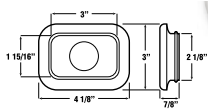
520-10 NIGHTWATCHER LX AUXILLARY WIRING KIT					520-40 NIGHTWATCHER LX 30 AMP RELAY				
									
Part No.	Description	Pack	Std. carton	Part No.	Description	Pack	Std. Carton		
V520-10	wiring kit	Viz pack		V520-40	30 amp	Viz pack			


520-41 NIGHTWATCHER LX ILLUMINATED ROCK-ER SWITCH					549 NIGHTWATCHER LX 100 WAT HALOGEN BULB				
									
Part No.	Description	Pack	Std. carton	Part No.	Description	Pack	Std. Carton		
V520-41	rocker switch	Viz pack	WSL	VH550	bulb	Viz pack			

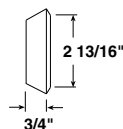
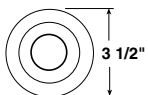
550 NIGHTWATCHER LX 55 WAT HALOGEN BULB					106 CHROME GUARD				
									
Part No.	Description	Pack	Std. carton	Part No.	Description	Pack	Std. Carton		
VH550	bulb	Viz pack		B106-09	chrome	bulk			
*H3-70W-24V	24V bulb	mfg pack							





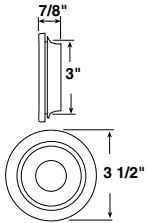
127 FLUSH MOUNT GROMMET					142 2 1/2" BRANCH DEFLECTOR				
									
Part No.	Description	Pack	Std. carton	Part No.	Description	Pack	Std. Carton		
*127-18	black	poly pack	24	142-09	gray	poly pack			
*B127-18	black	mfg pack	100						
*127-181	white	poly pack	24						

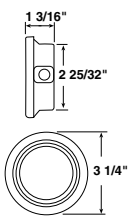




142 2 1/2" EDGE MOUNT GROMMET									
									
Part No.	Description	Pack	Std. carton	Part No.	Description	Pack	Std. Carton		
B142-17	ope back	mfg pack							
142-49	plug	mfg pack							
B142-49	plug	mfg pac							

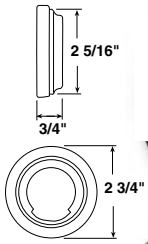


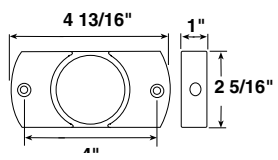
142 2 1/2" GROMMET					143/144 2 1/2" GROMMET				
	Part No.	Description	Pack	Std. carton		Part No.	Description	Pack	Std. Carton
	B142-18	black, open back	mfg pack			B143-18	open back	mfg pack	
	142-18K	black, open back kit	poly pack			143-18K	open back kit	poly pack	
	*B142-181	white open back	mfg pack	100		*144-18	closed back	poly pack	24
	142-49	plug	poly pack		142-49	plug	poly pack	12	
	B142-49	plug	mfg pack		B142-49	plug	mfg pack		







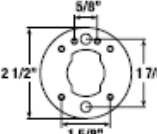

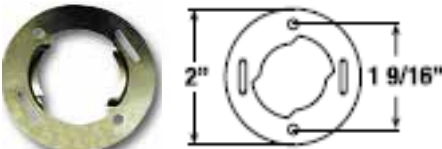
146 2" GROMMET					146 2" BRANCH DEFLECTOR				
	Part No.	Description	Pack	Std. carton		Part No.	Description	Pack	Std. Carton
	B146-18	black, open back	mfg pack			B146-09	gray	mfg pack	
	146-18K	black, open back kit	poly pack			B146-181	grommet	mfg pack	
	142-49	plug	poly pack			142-49	plug	poly pack	
	B142-49	plug	mfg pack		B142-49	plug	mfg pack		



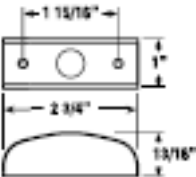
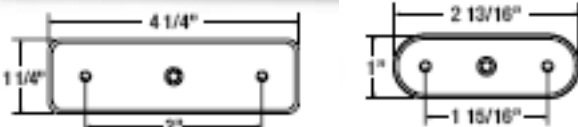




T PETERSON LIGHTS



146 2" DUAL FACE BRACKET					146 2" GROMMET				
	Part No.	Description	Pack	Std. carton		Part No.	Description	Pack	Std. Carton
	*B146-091	black	mfg pack	100		B146-181	open back	mfg pack	
	B146-181	grommet	mfg pack						
	*B146-49	2 plug harness	mfg pack	100					
									

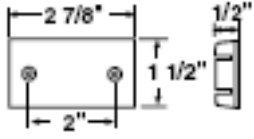
146 2" CAM-ON SURFACE MOUNT BRACKETS					2954 ABS LABEL				
	Part No.	Description	Pack	Std. carton		Part No.	Description	Pack	Std. Carton
 	*2591	2" incandescent	mfg pack	100		*2954	ABS label	mfg pack	100
	*2592	2 1/2" incandescent	mfg pack	100					
	*2593	2" LED	mfg pack	100					
	*2594	2 1/2" IED	mfg pack	100					
									

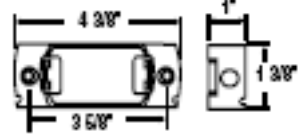
168 ALUMINUM BRUSH GUARD					168/169 MOUNTING GASKETS				
	Part No.	Description	Pack	Std. carton		Part No.	Description	Pack	Std. Carton
	*B168-092	aluminum	mfg pack	100		*B168-18	fits 168 ser	mfg pack	100
						*B169-18	fits 169 ser	mfg pack	100
									



Stock items may be purchased in any quantity

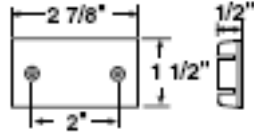
* = Special Order/Non-Stock

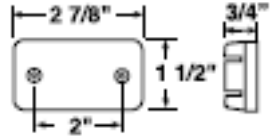
150 SURFACE MOUNT BRACKETS					150 SURFACE MOUNT BRACKET				
	Part No.	Description	Pack	Std. carton		Part No.	Description	Pack	Std. Carton
	150-10	chrome	poly pack			*150-091	white	poly pack	12
	*153-13	black	poly pack	12		*142-49	plug	poly pack	12
	142-49	plug	poly pack			B142-49	plug	mfg pack	
	B142-49	plug	mfg pack						





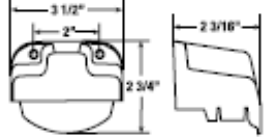


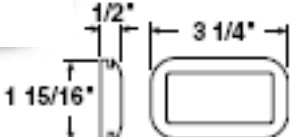
150 CHASIS MOUNTING KITS					150 SURFACE MOUNT BRACKET				
	Part No.	Description	Pack	Std. carton		Part No.	Description	Pack	Std. Carton
	150-092	black kit	poly pack			150-095	black	poly pack	
	150-102	chrome kit	poly pack						
	154-49	lead wire	poly pack						






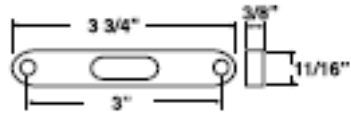




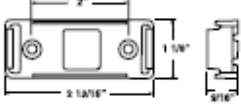
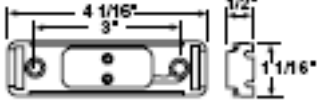
150 LICENSE PLATE/UTILITY BRACKET					150 MOUNTING GROMMETS				
	Part No.	Description	Pack	Std. carton		Part No.	Description	Pack	Std. Carton
	*150-14	gray	poly pack			B150-18	black		
	*150-141	black	poly pack			*B150-181	black		
	*B150-14	gray	mfg pack			B142-49	6" lead wire		
	*B150-141	black	mfg pack			*B142-50	19" lead wire		
	*142-49	plug	poly pack			*B142-51	12" lead wire		
	B142-49	plug	mfg pack						





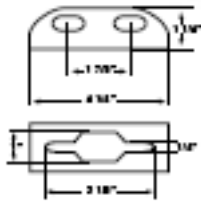
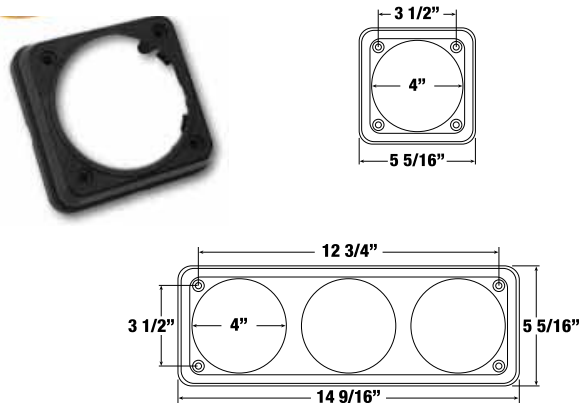


PETERSON LIGHTS

152 MOUNTING BRACKET					167 SURFACE MOUNT BRACKET				
	Part No.	Description	Pack	Std. carton		Part No.	Description	Pack	Std. Carton
	*152-091	black	poly pack	12		B167-09	black	mfg pack	
	*153-49	plug	poly pack	12		B167-491	rt angle plug	mfg pack	
	B153-49	plug	mfg pack						
									



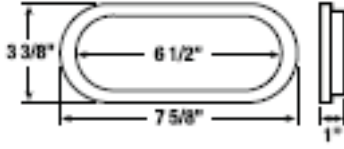
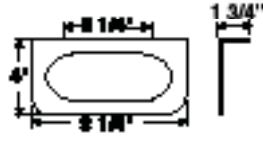
153 SURFACE MOUNT BRACKET					154 SURFACE MOUNT BRACKET				
	Part No.	Description	Pack	Std. carton		Part No.	Description	Pack	Std. Carton
	*153-09	black	poly pack			154-09K	gray kit	poly pack	
	*153-49	plug	poly pack			154-10K	chrome kit	poly pack	
	B153-49	plug	mfg pack			B154-11K	black kit w/o screws	mfg pack	
									




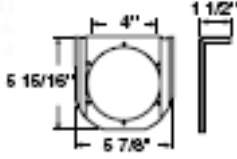
154 STAINLESS STEEL BRUSH GUARD					417 SURFACE MOUNT MODULAR BRACKET				
	Part No.	Description	Pack	Std. carton		Part No.	Description	Pack	Std. Carton
	*B154-092	guard	mfg pack			*417-091	single light	mfg pack	
						*417-093	3 light	mfg pack	
						*417-094	3 light with studs	mfg pack	
				*417-094					

									
---	--	--	--	--	--	--	--	--	--


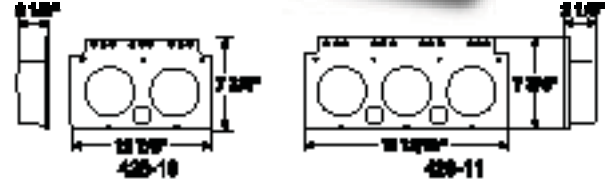
Stock items maybe purchased in any quantity



* = Special Order/Non-Stock

421 OVAL GROMMET					421 MOUNTING BRACKET					
	Part No.	Description	Pack	Std. carton		Part No.	Description	Pack	Std. Carton	
	B421-18	black oval	mfg pack			421-09	black oval	box pack		
										



424 SNAP IN BRACKET					426 HANGING BRACKET					
	Part No.	Description	Pack	Std. carton		Part No.	Description	Pack	Std. Carton	
	*424-09	black	poly pack	24		426-09	black steel	box pack		
										



440LP LIGHT PROTECTOR					426 2 OR 3 LIGHT METAL MODULE				
	Part No.	Description	Pack	Std. carton		Part No.	Description	Pack	Std. Carton
	440LP	4 1/2" square welded box w/side marker cut out	mfg			426-10	2 light	box pack	
						*426-11	3 light	box pack	6



LB663 LIGHT BOX					
	Part No.	Description	Pack		
	LB663	Light box for 4" round grommet light steel	mfg		
					

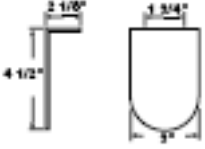
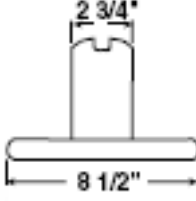
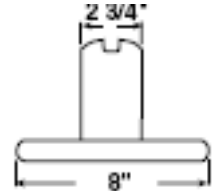
LB383 LIGHT BOX				B10729 LIGHT BRACKET			
	Part No.	Description	Pack		Part No.	Description	Pack
	LB383	Light box for 6" oval grommet light steel	mfg		B10729	Light Bracket for 2.5" lights 2-25/32 holes	

PETERSON LIGHTS

426 4" GROMMET					450 RECTANGULAR RUBBER GROMMET				
	Part No.	Description	Pack	Std. carton		Part No.	Description	Pack	Std. Carton
	B426-18	black	mfg pack			*B450-18	black	mfg pack	100




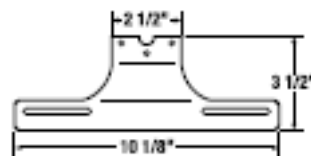
	
---	---

510 UNIVERSAL MOUNTING BRACKET					428/440 UNIVERSAL LICENSE BRACKETS				
	Part No.	Description	Pack	Std. carton		Part No.	Description	Pack	Std. Carton
	*510-9	black steel	mfg pack			428-09	steel	bulk	
						B440-09	black plastic	bulk	
						*B440-09W	white plastic	mfg pack	100





		
---	--	---




Stock items may be purchased in any quantity

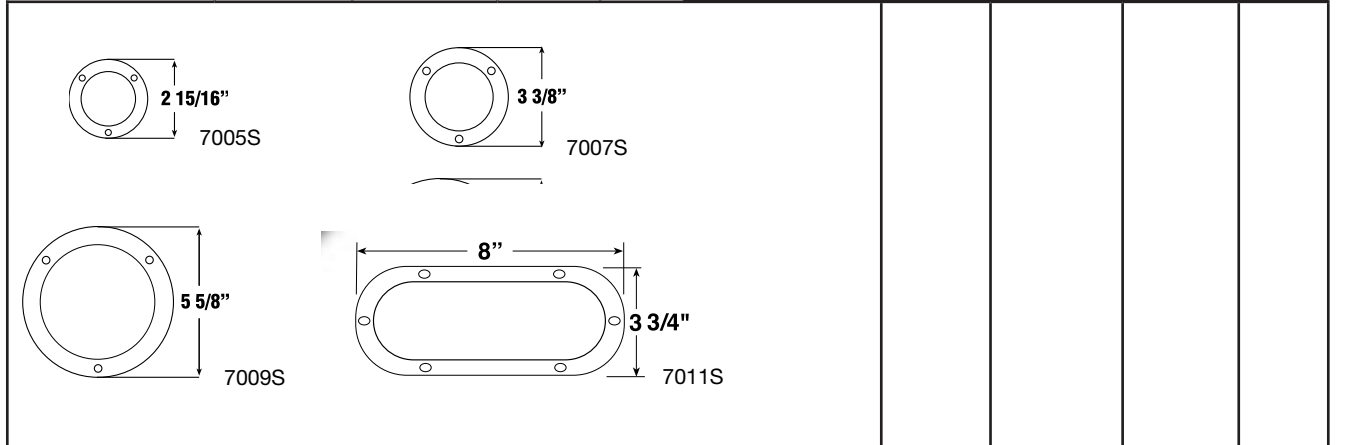
* = Special Order/Non-Stock

150 LICENSE/ UTILITY BRACKET					25900 UNIVERSAL RV LICENSE				
Image	Part No.	Description	Pack	Std. carton	Image	Part No.	Description	Pack	Std. Carton
	*B150-141B	black plastic	mfg pack	24		*V25900-09	steel	Viz pack	10
									



7004/7005 2" ROUND DECORATIVE BEZELS					7006/7007 2 1/2" ROUND DECORATIVE BEZELS				
Image	Part No.	Description	Pack	Std. carton	Image	Part No.	Description	Pack	Std. Carton
	*V7004	2" with visor	Viz pack	24		*V7006	2 1/2" bezel w/visor	Viz pack	24
	*V7005	2" round	Viz pack	24		*V7007	2 1/2" round bezelVIZ PACK	vIZ PACK	24

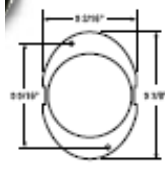

7008/7009 4" ROUND DECORATIVE BEZELS					7010/7011 OVAL DECORATIVE BEZELS				
Image	Part No.	Description	Pack	Std. carton	Image	Part No.	Description	Pack	Std. Carton
	*V7008	4" with visor	Viz pack	24		*V7010	2 1/2" bezel w/visor	Viz pack	24
	V7009	4" round	Viz pack	24		*V7011	2 1/2" round bezelVIZ PACK	Viz pack	24

7005S/7007S/7009S/7011S/ THEFT DETERRENT RINGS					45 CERTIFICATE HOLDER & POUCH				
Image	Part No.	Description	Pack	Std. carton	Image	Part No.	Description	Pack	Std. Carton
	*V7009S	4" round	Viz pack	25		B45	holder & pouch	mfg pack	
	*V7011S	oval	Viz pack	25		45-171	Repl pouch	poly pack	
	*B7005S	2" round	mfg pack	25					
	*B7007S	2 1/2" round	mfg pack	25					
	*B7009S	4" round	mfg pack	25					
	*B7011S	oval	mfg pack	25					







T PETERSON LIGHTS



46 ROUND CERTIFICATE HOLDER					CLEARANCE/MARKER SOCKET ASSEMBLY				
	Part No.	Description	Pack	Std. carton		Part No.	Description	Pack	Std. Carton
		46	certificate holder	poly pack				*120-49	6" leads



	
---	--



MARKER LAMP PLUGS					MARKER LAMP HARNESS				
	Part No.	Description	Pack	Std. carton		Part No.	Description	Pack	Std. Carton
	142-49	6" leads	poly pack			*B146-49	15" leads	mfg pack	100
	B142-49	6" leads	mfg pack						
	*B142-50	19" leads	mfg pack	100					
	*B142-51	12" leads	mfg pack	100					



ID BAR LAMP HARNESS					LEAD WIRES				
	Part No.	Description	Pack	Std. carton		Part No.	Description	Pack	Std. Carton
	150-49	8" leads	poly pack			B150-491	.156 molded male, 18"	mfg pack	
						B152-49	.156 molded female 17"	mfg pack	
					154-49	.156 bullet, 18"	poly pack		


MARKER LAMP PLUGS					MARKER LAMP PLUGS				
	Part No.	Description	Pack	Std. carton		Part No.	Description	Pack	Std. Carton
	B153-49	6" leads	mfg pack			*160-49	8" leads	poly pack	12
	*B159-492	8" leads mfg pack	100			*B160-49	8" leads	mfg pack	100
					*160-491	8" leads	poly pack	12	
					*B160-491	8" leads	mfg pack	100	
					*160-492	8" leads	poly pack	12	
					*B160-492	8" leads	mfg pack	100	

ID BAR HARNESS					LED MARKER LAMP PLUGS				
	Part No.	Description	Pack	Std. carton		Part No.	Description	Pack	Std. Carton
	*160-493	8" leads	poly pack	12		*162-49	6" leads	poly pack	12
						B162-49	6" leads	mfg pack	
						*162-493	6" leads	poly pack	12
						*B162-493	6" leads	mfg pack	100




LED MARKER LAMP PLUG					TURN SIGNAL PLUG				
	Part No.	Description	Pack	Std. carton		Part No.	Description	Pack	Std. Carton
	B167-491	6" leads	mfg pack			*344-49	9" leads	poly pack	12
									



PIGTAIL					PIGTAIL				
	Part No.	Description	Pack	Std. carton		Part No.	Description	Pack	Std. Carton
	411-07	10" lead	poly pack			413-07	10" leads	poly pack	
									


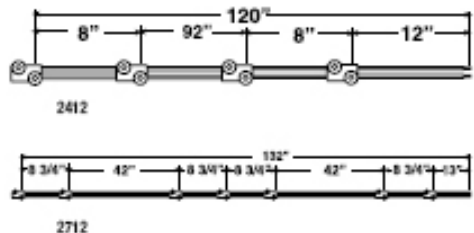
LED 2-WIRE PLUGS					LED 3-WIRE PLUGS				
	Part No.	Description	Pack	Std. carton		Part No.	Description	Pack	Std. Carton
	417-48	9" leads	poly pack			*417-49	9" leads	poly pack	6
	*B417-48	9" leads	mfg pack	100		*B417-49	9" leads	mfg pack	100
	*417-481	6" adapter	poly pack	6		*417-491	6" adapter	poly pack	6
	*B417-481	6" adapter	mfg pack	100		B417-491	6" adapter	mfg pack	
	*417-482	9" leads	poly pack	6		*417-492	9" leads	mfg pack	100
	*B417-482	9"leads	mfg pack	100					



LED Y-ADAPTER PLUG					LED ADAPTER PLUG				
	Part No.	Description	Pack	Std. carton		Part No.	Description	Pack	Std. Carton
	*417-491Y	12" adapter plug	poly pack	6		*417-491MP	12" adapter plug	poly pack	6

T PETERSON LIGHTS

ADAPTER PLUG					2-WIRE PLUGS				
	Part No.	Description	Pack	Std. carton		Part No.	Description	Pack	Std. Carton
	*417-493	adapter plug	poly pack	10		421-49	rt angle 10 1/2"	poly pack	
						B421-49	rt angle 10 1/2"	mfg pack	
						*431-49	straight 10 1/2"	poly pack	12
						B431-49	straight 10 1/2"	mfg pack	

3-WIRE PLUGS					Y-ADAPTER PLUG				
	Part No.	Description	Pack	Std. carton		Part No.	Description	Pack	Std. Carton
	*421-491	rt angle 10 1/2"	poly pack	12		*421-491Y	Y-adapter plug	poly pack	6
	B421-491	rt angle 10 1/2"	mfg pack						
	431-491	straight 10 1/2"	poly pack						
	B431-491	straight 10 1/2"	mfg pack						



2730 ACCESSORY PLUG / SOCKET					2412/2712 CLEARANCE/MARKER/ID WIRE HARNESS				
	Part No.	Description	Pack	Std. carton		Part No.	Description	Pack	Std. Carton
	V2730	plug & socket set	Viz pack	6		*B2412	front 10'	mfg pack	50
	*V2730S	socket	Viz pack	6		*B2712	rear 11'	mfg pack	50
	*V2730P	plug	Viz pack	6					
	*M2730S	socket	mfg pack	48					
	*M2730P	plug	mfg pack	48					
									


5525 SPLIT TRAILER HARNESS KIT					5425 SPLIT TRAILER HARNESS KIT				
	Part No.	Description	Pack	Std. carton		Part No.	Description	Pack	Std. Carton
	*V5525Y	complete kit	Viz pack	12		V5425Y	complete kit	Viz pack	
	*B5525Y	complete kit	mfg pack	12		B5425Y	complete kit	mfg pack	
						MSB3420Y	complete kit	bagged import	



Stock items maybe purchased in any quantity



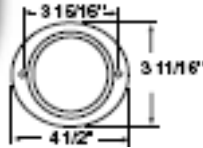
* = Special Order/Non-Stock



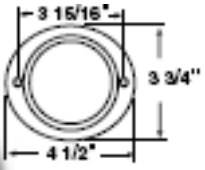
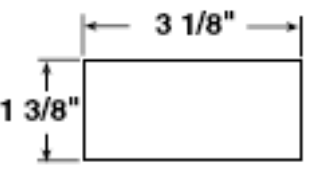
T PETERSON LIGHTS



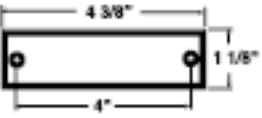

465 REFLECTIVE MARKING TAPE					465/467/468 REFLECTIVE MARKING STRIPS				
	Part No.	Description	Pack	Std. carton		Part No.	Description	Pack	Std. Carton
	465-1	600 cp red/white 2" wide	box			465K	2" red/white 8 strip kit	Vix pack	
	465-5	1000 cp red/white 1" wide	box			465-4K	2" red/white 4 strip kit	Vix pack	
					*467-4K	2" x 300mm white 4 strip kit	Vix pack		
					468	1 7/16" red 4 strip kit	Vix pack		





493 SPITFIRE REFLECTOR KIT					489 SPITFIRE RECTANGULAR REFLECTOR				
	Part No.	Description	Pack	Std. carton		Part No.	Description	Pack	Std. Carton
	*V493KA	amber kit	Viz pack	12		B489A	amber	mfg pack	
	*V493KR	red kit	Viz pack	12		B489R	red	mfg pack	
					<ul style="list-style-type: none"> Rectangular reflector measures 2 3/4" x 1 3/4". 				

490 SPITFIRE ROUND REFLECTOR					491 SPITFIRE RECTANGULAR REFLECTOR				
	Part No.	Description	Pack	Std. carton		Part No.	Description	Pack	Std. Carton
	*V490A	amber	Viz pack			B491A	amber	mfg pack	
	*V490R	red	Viz pack			B491R	red	mfg pack	
	B490A	amber	mfg pack						
	B490R	red	mfg pack						
<ul style="list-style-type: none"> Round reflector measures 2 7/8" diameter. 					<ul style="list-style-type: none"> Rectangular reflector measures 4 5/16" x 1 11/16". 				



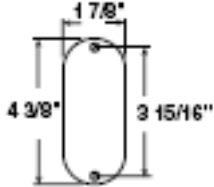
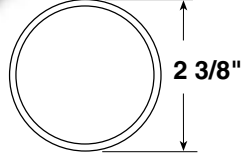
492 SPITFIRE RECTANGULAR REFLECTOR					460 STEEL OVAL REFLECTOR				
	Part No.	Description	Pack	Std. carton		Part No.	Description	Pack	Std. Carton
	*B492A	amber	mfg pack			B460A	amber	mfg pack	
	*B492R	red	mfg pack			B460R	red	mfg pack	
<ul style="list-style-type: none"> Rectangular reflector measures 4 5/16" x 13/16". 									


472 ALUMINUM OVAL REFLECTOR					483 RECTANGULAR QUICK-MOUNT REFLECTOR				
	Part No.	Description	Pack	Std. carton		Part No.	Description	Pack	Std. Carton
	V472A	amber	Viz pack	12		V483A	amber	Viz pack	
	V472R	red	Viz pack	12		V483R	red	Viz pack	
	B472A	amber	mfg pack	100		B483A	amber	mfg pack	
	B472R	red	mfg pack	100		B483R	red	mfg pack	
									

487 COMPACT RECTANGULAR REFLECTOR					475 RECTANGULAR QUICK-MOUNT REFLECTOR				
	Part No.	Description	Pack	Std. carton		Part No.	Description	Pack	Std. Carton
	V487A	amber	Viz pack			V475A	amber	Viz pack	
	V487R	red	Viz pack			V475R	red	Viz pack	
	B487A	amber	mfg pack			B475A	amber	mfg pack	
	B487R	red	mfg pack			B475R	red	mfg pack	
									

476 ROUND CENTER MOUNT REFLECTOR					477 ROUND CENTER MOUNT REFLECTOR				
	Part No.	Description	Pack	Std. carton		Part No.	Description	Pack	Std. Carton
	B476A	amber	mfg pack			B477A	amber	mfg pack	
	B476R	red	mfg pack			B477R	red	mfg pack	
									





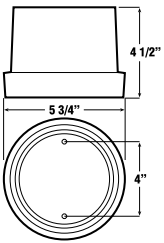
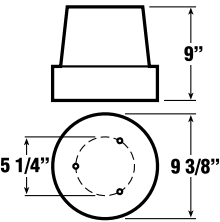
480 OBLONG QUICK-MOUNT REFLECTOR					481 ROUND QUICK-MOUNT REFLECTOR				
	Part No.	Description	Pack	Std. carton		Part No.	Description	Pack	Std. Carton
	V480A	amber	Viz Pack			B481A	amber	mfg pack	
	V480R	red	Viz pack			B481R	red	mfg pack	
	B480A	amber	mfg pack						
	B480R	red	mfg pack						
									



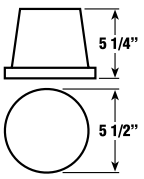
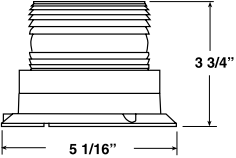
773 ALTERNATING FLASHING LIGHT									
	Part No.	Description	Pack	Std. carton		Part No.	Description	Pack	Std. Carton
	V773A	Amber	Viz Pack			V774A			

	Part No.	Description	Pack	Std. carton		Part No.	Description	Pack	Std. Carton

Stock items may be purchased in any quantity



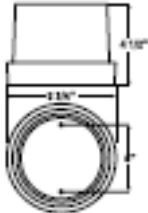
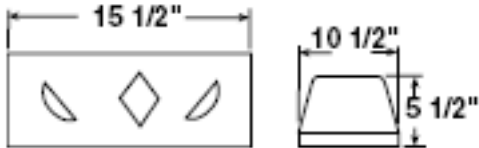
* = Special Order/Non-Stock



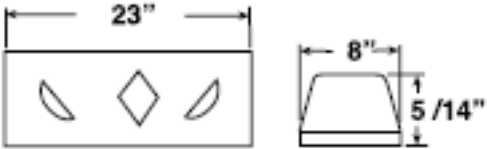
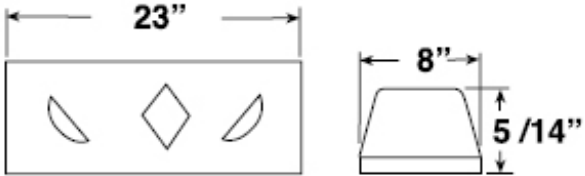
746 FLASHING & SIGNALING LIGHT					755 HEAVY DUTY TWIN SEALED BEAM LIGHT				
	Part No.	Description	Pack	Std. carton		Part No.	Description	Pack	Std. Carton
	746A	amber	box						
	*746B	blue	box	1		*755B	blue	box	1
	*746R	red	box	1		*755R	red	box	1
	*769-25A	amber lens	box	1		*755-15A	amber lens	box	1
	*769-25B	blue lens	box	1		*755-15B	blue lens	box	1
	*769-25R	red lens	box	1		*755-15R	red lens	box	1
	*1195	bulb	box	1		*755-21	retainer	poly pack	1
						*755-23	gasket	poly pack	1
						*250-22	motor & gear	box	1
						*4416	sealed beam		
									

763 REVOLVING BEACON					766 MICRO-STROBE BEACON				
	Part No.	Description	Pack	Std. carton		Part No.	Description	Pack	Std. Carton
	763A	amber	box						
	*756-15A	amber lens	box	1		*V766MA	amber magnetic	Viz pack	
	*BB-22	motor & gear	box	1		766A	amber	box	
	*1195	bulb				*766-25A	amber lens	box	
						*766ST	bulb	box	
									

PETERSON LIGHTS



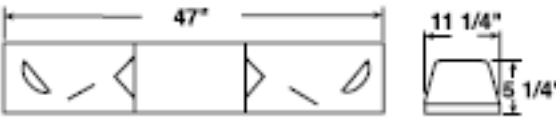
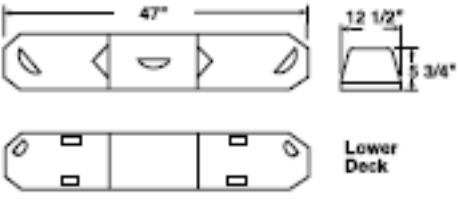




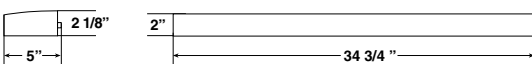
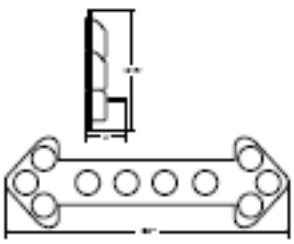
769 2 JOULE SINGLE FLASH STROBE BEA- CON					753 15 1/2" BEACON MINI LIGHT BAR				
	Part No.	Description	Pack	Std. carton		Part No.	Description	Pack	Std. Carton
	769 A	amber	box			*753A	amber	box	1
	*769B	blue	box			*753MA	amber magnetic	box	1
	*769C	clear	box			*753-25A	amber lens	box	1
	*769R	red	box			*H155W	bulb		
	*769MA	magnetic amber	box			*776-221	motor after 07-2001		
	*769-25A	amber lens	box		*776-26	motor prior to 07-2001			
	*769-25B	blue lens	box						
	*769-25C	clear lens	box						
	*769-25R	red lens	box						
	L2-77	strobe tube	box						
									

760 23" STROBE MINI LIGHT BAR					761 23" HALOGEN MINI LIGHT BAR				
	Part No.	Description	Pack	Std. carton		Part No.	Description	Pack	Std. Carton
	760 A	amber permanent	box	1		761A	amber permanent	box	
	*760MA	amber magnetic	box	1		*761MA	amber magnetic	box	
	*760WA	clear, perm, work light	box	1		*760-25A	amber lens	box	1
	*760-25A	amber outer lens	box	1		VH550	bulb	Viz pack	2
	*760-25C	clear outer lens	box	1					
	*769-25A	amber inner lens	box	1					
	*769-25	clear inner lens	box	1					
	L3-77	strobe tube	box	1					
									

Stock items may be purchased in any quantity

* = Special Order/Non-Stock



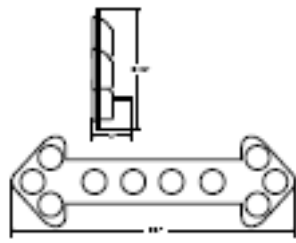
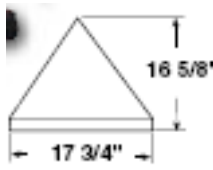
755 DUAL HALOGEN LIGHT BAR					777 47" DUAL-DECK LIGHT BAR				
Part No.	Description	Pack	Std. carton	Part No.	Description	Pack	Std. Carton		
	*775A	amber	box	1		*777A	amber		
	*775-09	mounting kit	box	1		*777-08	mounting kit		
	*775-25A	amber lens	box	1		*777-25A	amber lens		
	*H155W	bulb				*777-25CA	amber center lens		
	*776-221	motor after 07-2001				*H155W	bulb		
	*776-26	motor prior 07-2001				1156	bulb		
						*776-221	motor after 07-2001		
						*776-26	motor prior 07-2001		
									



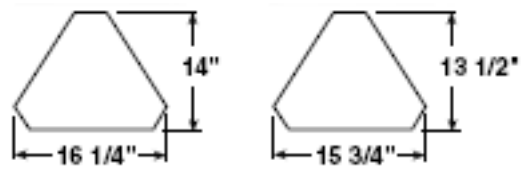
778 35" LED SEQUENCING DIRECTIONAL BAR					779 55" INCANDESCENT ARROW STICK				
Part No.	Description	Pack	Std. carton	Part No.	Description	Pack	Std. Carton		
	*778A	amber	box	1		*779A	amber	box	1
						*M426A	repl light		
									

PETERSON LIGHTS

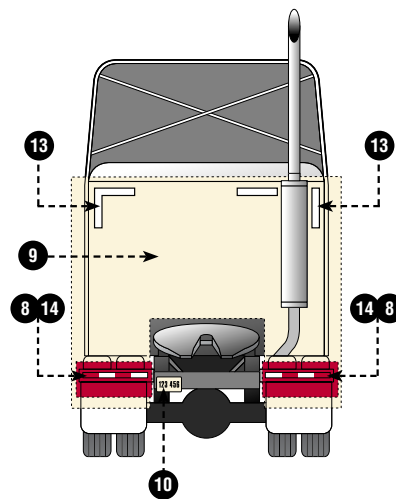
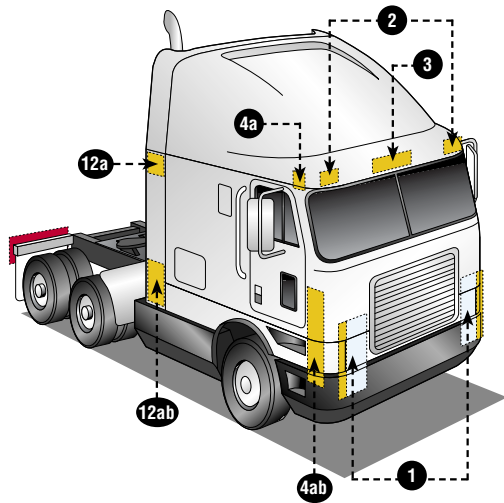
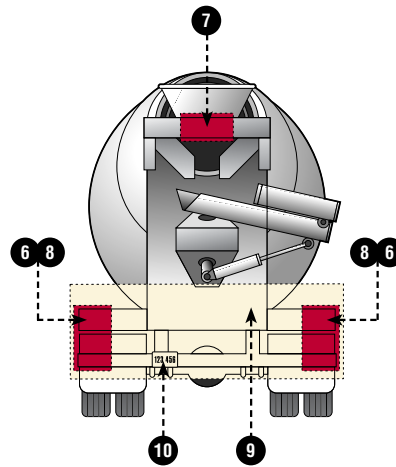
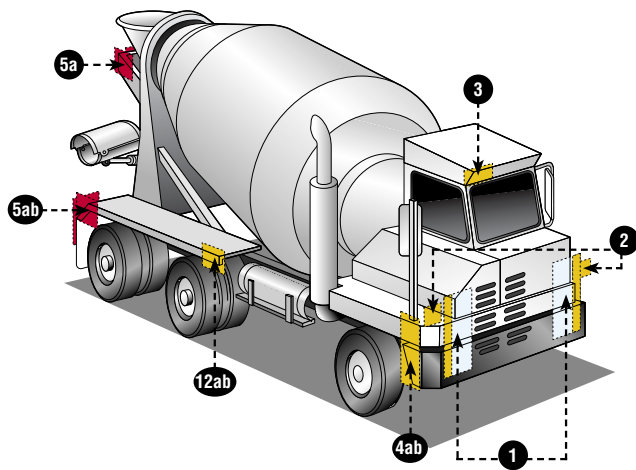
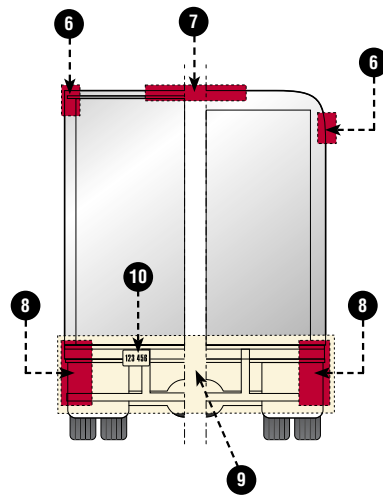
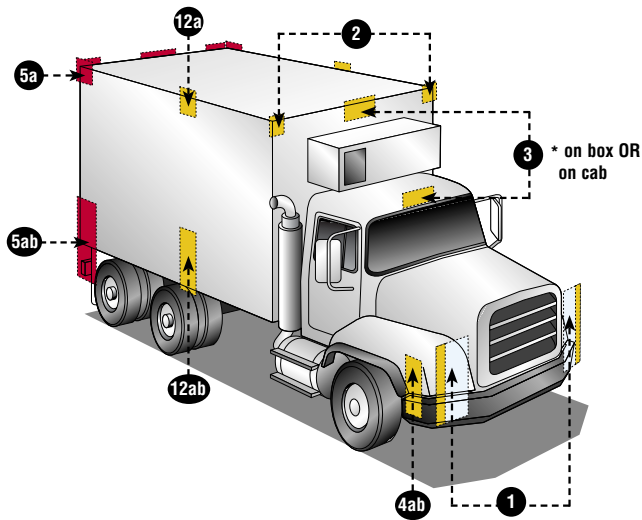


PETERSON LIGHTS

779-1 55" LED ARROW STICK					449 WARNING TRIANGLE KIT				
	Part No.	Description	Pack	Std. carton		Part No.	Description	Pack	Std. Carton
	*779-1A	amber	box	1		449	complete kit	box	
	*M2760A-2P	light				*449-1	kit drop ship	box	
other brands same or better quality may be substituted									
									

458 SVM & FARM VEHICLE SAFETY KIT					459 SVM EMBLEMS PLASTIC				
	Part No.	Description	Pack	Std. carton		Part No.	Description	Pack	Std. Carton
	*458K	complete kit	Viz pack	6		459	emblem w/back plate	box	
						459-1	adhesive emblem	box	
									

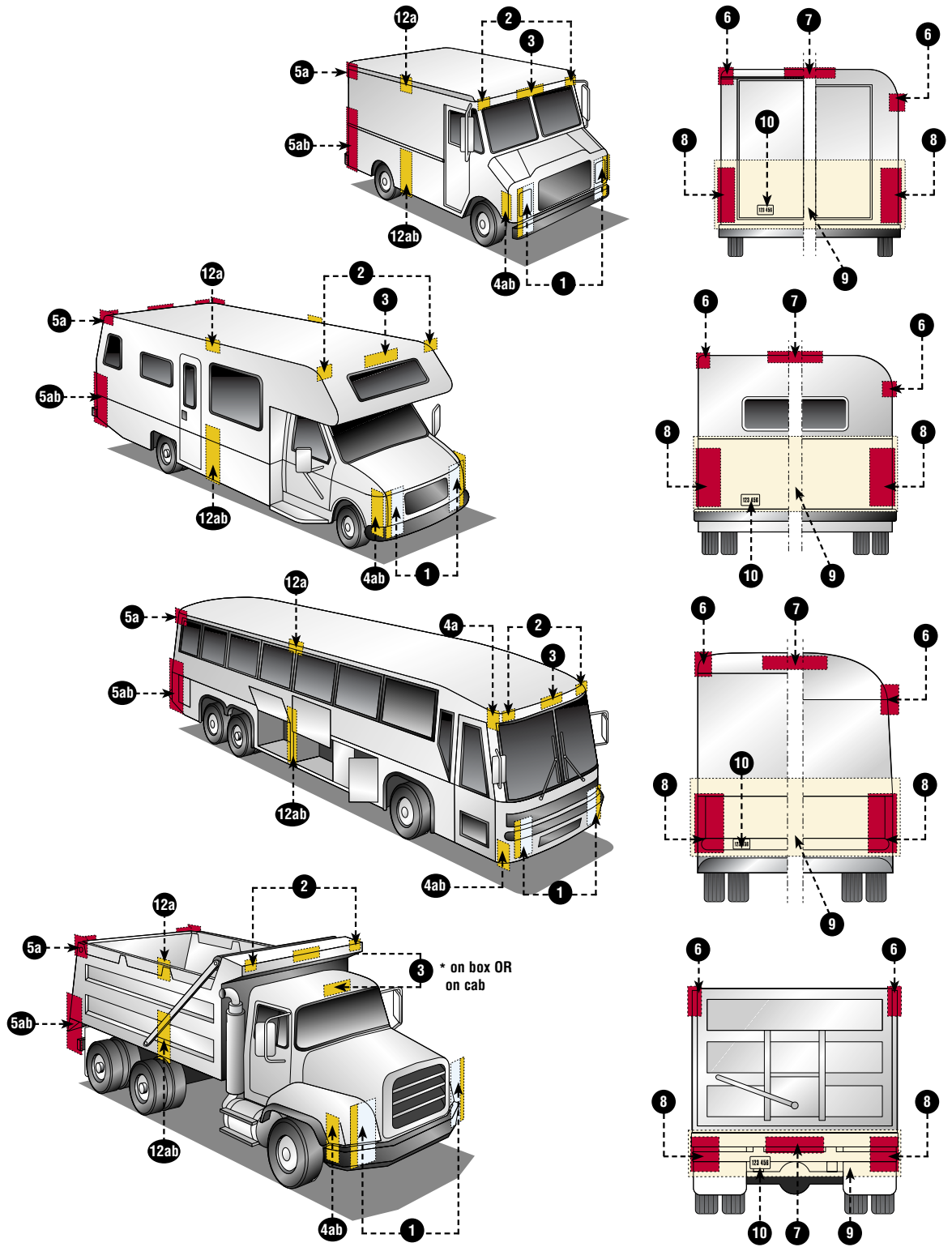
TECHNICAL REFERENCE | Federal Lighting Requirements



TI TECHNICAL REFERENCE

Federal Lighting Requirements | TECHNICAL REFERENCE

TECHNICAL REFERENCE



TECHNICAL REFERENCE | Federal Lighting Requirements

TECHNICAL REFERENCE



IMPORTANT NOTE: Every lamp, reflex reflector, and conspicuity treatment must be permanently attached in the location specified below and must comply with all applicable requirements prescribed for it by FMVSS/CMVSS 108. The face of any device on the front/rear and sides should be, respectively perpendicular and parallel to the vehicle's centerline, unless it is photometrically certified at installation angle. No part of the vehicle shall prevent any device from meeting its prescribed requirements unless an auxiliary device meeting all prescribed requirements is installed.

IN CANADA: Manufacturers and importers of vehicles must have the proper certification test records demonstrating compliance of lighting components with all prescribed requirements.

BASIC EQUIPMENT REQUIRED ON ALL TRUCKS, BUSES & MPVs

DESCRIPTION				MANDATORY REQUIREMENTS			
Area	Equipment	SAE Lens Coding	Functional Purpose	Quantity	Color	Location	Height mm(in.) from the ground
1	Headlamps - Lower Beam US requires "DOT" lettering on lens US & Canada - light source code required on lens	(H, HR)	Forward road illumination	Minimum 2	White	On the front - symmetrical as far apart as practicable If 4 lamp system - outboard or above upper beams	560-1370 (22-54)
	Headlamps - Upper Beam US requires "DOT" lettering on lens US & Canada - light source code required on lens	(H, HR)	Forward road illumination	Minimum 2	White	On the front - symmetrical as far apart as practicable If 4 lamp system - inboard or below lower beams	560-1370 (22-54)
	Parking Lamps Vehicles less than 2032mm wide	(P)	Indicate parked vehicle	Minimum 2	White or Yellow	On the front - symmetrical as far apart as practicable	380-1530 (15-60)
	Daytime Running Lamps (DRL) Canada - required / US - option US requires "DRL" lettering on lens if not headlamp	(Y2)	Indicate in use vehicle	Minimum 2	White or Yellow	On the front - symmetrical as far apart as practicable	380 (15) min. Max. depends on type of DRL
	Front Turn Signal/ Hazard Warning Lamps	(I)	Indicate direction of turn/ identify disabled vehicle	Minimum 2	Yellow	On the front- symmetrical as far apart as practicable	380-2110 (15-83)
2	Front Clearance Lamps Vehicles 2032mm wide or wider *photometrically certified at installation angle	(P2, PC* or P3, PC2*)	Show vehicle's width	Minimum 2	Yellow	At widest point - symmetrical on the front or near the front facing forward	As high as practicable
3	Front Identification Lamps (ID) Vehicles 2032mm wide or wider	(P2 or P3)	Indicate presence of a wide vehicle	Exactly 3	Yellow	On the front - center horizontally spaced 150 mm (6 in.) to 300 mm (12 in.) apart	As high as practicable or on top of the cab
4	a Front Side Marker Lamps *photometrically certified at installation angle	(P2, PC* P3, PC2*)	Front and rear side marker lamps / side reflex reflector indicate vehicle's presence and length	Minimum 2	Yellow	Each side at front as far forward as practicable	380 (15) minimum
	b Front Side Reflex Reflectors	(A)		Minimum 2	Yellow	At front - symmetrical as far forward as practicable facing sideward	380-1530 (15-60)
5	a Rear Side Marker Lamps ** *photometrically certified at installation angle	(P2, PC* or P3, PC2*)	Front and rear side marker lamps / side reflex reflector indicate vehicle's presence and length	Minimum 2	Red	Each side at rear as far back as practicable	380 (15) minimum
	b Rear Side Reflex Reflectors ** **not required on Truck Tractors	(A)		Minimum 2	Red	Each side at rear as far back as practicable facing sideward	380-1530 (15-60)
6	Rear Clearance Lamps Vehicles 2032mm wide or wider Not required on Truck Tractors *photometrically certified at installation angle	(P2, PC* or P3, PC2*)	Show vehicle's width MAY NOT be combined with tail lamps	Minimum 2	Red	At widest point - symmetrical on the rear or near the rear facing rearward	As high as practicable may be lower only if rear ID lamps are at the top
7	Rear Identification (ID) Lamps Vehicles 2032mm wide or wider Not required on Truck Tractors	(P2 or P3)	Indicate presence of a wide vehicle	Exactly 3	Red	On the rear - center horizontally spaced 150mm (6 in.) to 300mm (12 in.) apart facing rearward	In Canada: at the top - lower if door header narrower than 25mm In USA: as high as practicable
8	Tail Lamps	(T)	Indicate vehicle's presence and width	Minimum 2	Red	On the rear - symmetrical as far apart as practicable	380-1830 (15-72)
	Stop Lamps	(S)	Indicate braking	Minimum 2	Red	On the rear - symmetrical as far apart as practicable	380-1830 (15-72)
	Rear Turn Signal/ Hazard Warning Lamps	(I)	Indicate direction of turn/ identify disabled vehicle	Minimum 2	Red or yellow	On the rear - symmetrical as far apart as practicable	380-2110 (15-83)
	Rear Reflex Reflectors	(A)	Show vehicle's presence and width	Minimum 2	Red	On the rear - symmetrical as far apart as practicable	380-1530 (15-60)
9	Backup Lamp	(R)	Illuminates ground behind the vehicle and alert road users	Minimum 1	White	Rear	No requirement
10	License Plate Lamp(s)	(L)	Illuminates license plate	Minimum 1	White	On the rear - above or at the sides of license plate	No requirement
11	Center High Mounted Stop Lamp Vehicles less than 2032mm wide and 4536kg	(U3)	Indicates braking	1	Red	On the rear - centerline of the vehicle	860 (34) minimum

ADDITIONAL EQUIPMENT FOR SPECIFIC VEHICLES VEHICLES 9.1m (30 ft.) LONG OR LONGER

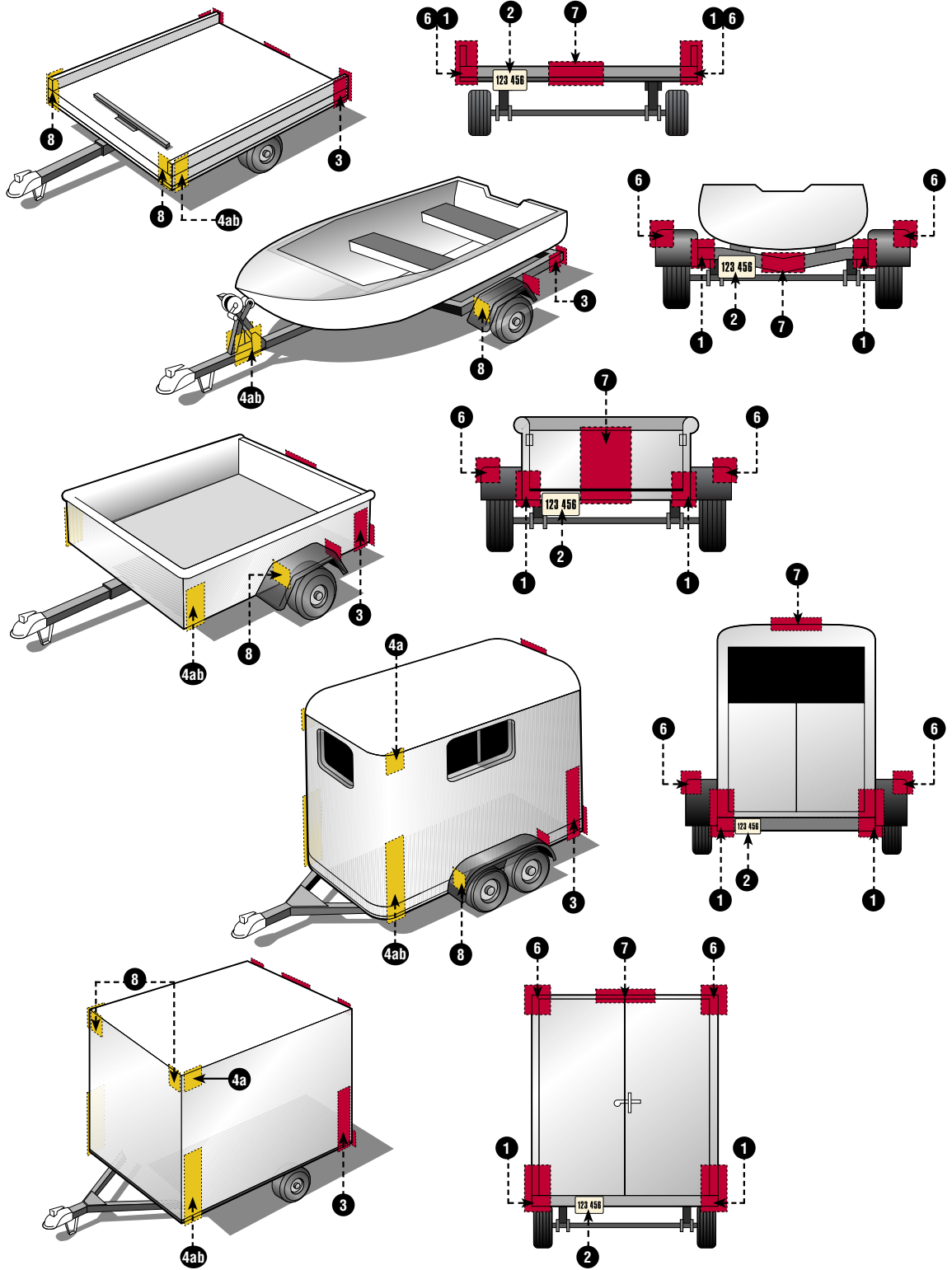
DESCRIPTION				MANDATORY REQUIREMENTS			
Area	Equipment	SAE Lens Coding	Functional Purpose	Quantity	Color	Location	Height mm(in.) from the ground
12	a Intermediate Side Marker Lamps	(P2 or P3)	Indicate presence of a long vehicle	Minimum 2	Yellow	Each side near center	380 (15) minimum
	b Intermediate Side Reflex Reflectors	(A)	Indicate presence of a long vehicle	Minimum 2	Yellow	Each side near center facing sideward	380-1530 (15-60)

Truck Tractors

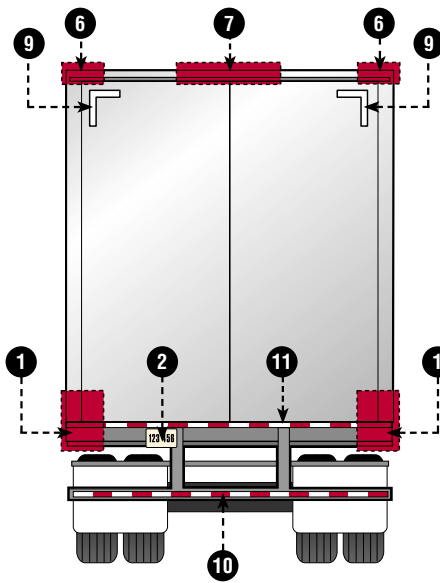
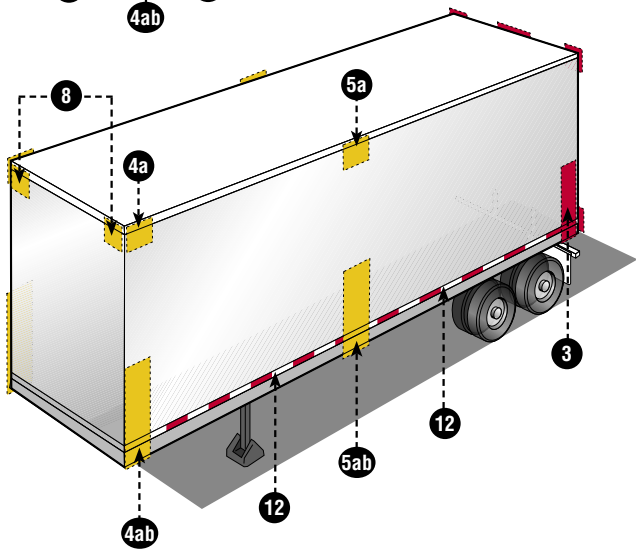
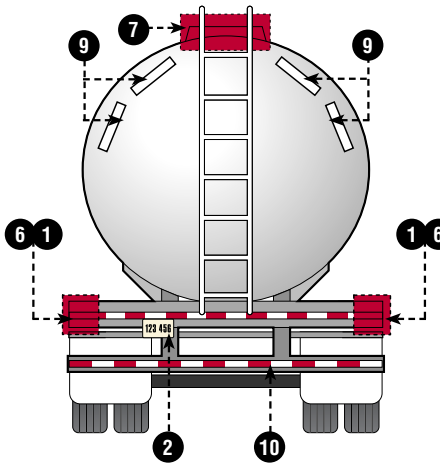
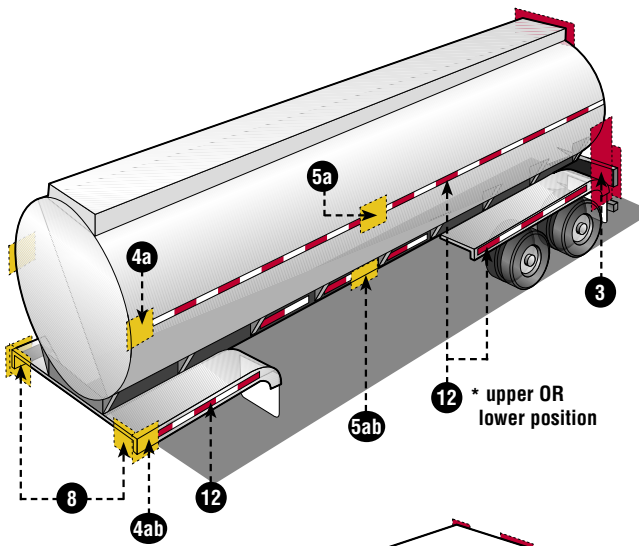
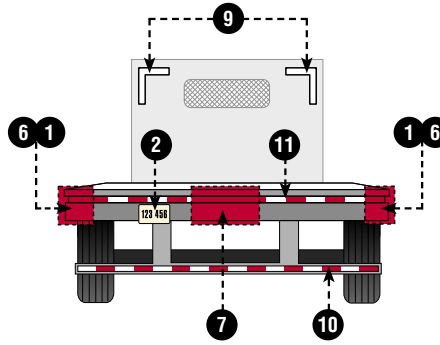
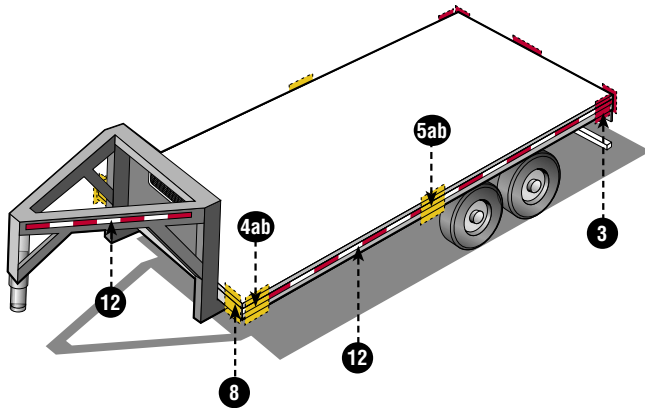
DESCRIPTION		MANDATORY REQUIREMENTS					
Area	Conspicuity Treatment	DOT Coding	Quantity	Color	Location	Height	Options
13	Rear Upper Body Markings	DOT-C DOT-C2 DOT-C3 DOT-C4	Exactly 2 pairs of 300mm long strips	White	Rear upper corners of cab facing rearward	As high as practicable excluding fairings	
14	Rear Marking	DOT-C DOT-C2 DOT-C3 DOT-C4	Exactly 2 sections of min. 600mm each	Red/ White	Rear - facing rearward - on fenders, on mud flap brackets, or within 300mm below the top of mud flaps	As horizontal as practicable and not higher than 1525mm from the ground	If mud flaps not used - on the cab or frame mounted brackets

Federal Lighting Requirements | TECHNICAL REFERENCE

TECHNICAL REFERENCE



TECHNICAL REFERENCE | Federal Lighting Requirements



TECHNICAL REFERENCE



Federal Lighting Requirements | TECHNICAL REFERENCE

TECHNICAL REFERENCE

IMPORTANT NOTE: Every lamp, reflex reflector, and conspicuity treatment must be permanently attached in the location specified below and must comply with all applicable requirements prescribed for it by FMVSS/CMVSS 108. The face of any device on the front/rear and sides should be, respectively perpendicular and parallel to the vehicle's centerline, unless it is photometrically certified at installation angle. No part of the vehicle shall prevent any device from meeting its prescribed requirements unless an auxiliary device meeting all prescribed requirements is installed.

IN CANADA: Manufacturers and importers of vehicles must have the proper certification test records demonstrating compliance of lighting components with all prescribed requirements.

BASIC EQUIPMENT REQUIRED ON ALL TRAILERS

DESCRIPTION				MANDATORY REQUIREMENTS			
Area	Equipment	SAE Lens Coding	Functional Purpose	Quantity	Color	Location	Height mm(in.) from the ground
1	Tail Lamps	(T)	Indicate vehicle's presence and width	Minimum 2	Red	On the rear - symmetrical as far apart as practicable	380-1830 (15-72)
	Stop Lamps	(S)		Minimum 2	Red		
	Rear Turn Signal Lamps	(I)	Indicate direction of turn	Minimum 2	Red or Yellow	On the rear - symmetrical as far apart as practicable	380-2110 (15-83)
	Rear Reflex Reflectors	(A)	Indicate vehicle's presence and width	Minimum 2	Red	On the rear - symmetrical as far apart as practicable facing rearward	380-1530 (15-60)
2	License Plate Lamp(s)	(L)	Illuminates license plate	Minimum 1	White	On the rear - above or at the sides of license plate	No requirement
3	Rear Side Marker Lamps	(P2, PC* or P3, PC2*) *photometrically certified at installation angle	Front and rear side marker lamps / side reflex reflectors indicate vehicle's presence and length	Minimum 2	Red	Each side at rear as far back as practicable	380-1530 (15-60) no max. for veh. under 2032mm (80") wide
	Rear Side Reflex Reflectors	(A)		Minimum 2	Red	Each side at rear as far back as practicable	380-1530 (15-60) facing sideward
4	a Front Side Marker Lamps	(P2, PC* or P3, PC2*) *photometrically certified at installation angle	Front and rear side marker lamps / side reflex reflectors indicate vehicle's presence and length	Minimum 2	Yellow	Each side at front as far forward as practicable	380 (15) minimum
	b Front Side Reflex Reflectors	(A)		Minimum 2	Yellow	Each side at front as far forward as practicable facing sideward	380-1530 (15-60)

ADDITIONAL EQUIPMENT FOR TRAILERS EXCEEDING THE FOLLOWING PARAMETERS

Length 9.1m (30 ft.) or longer

DESCRIPTION				MANDATORY REQUIREMENTS			
Area	Equipment	SAE Lens Coding	Functional Purpose	Quantity	Color	Location	Height mm(in.) from the ground
5	a Intermediate Side Marker Lamps	(P2 or P3)	Indicate presence of a long vehicle	Minimum 2	Yellow	Each side near center facing sideward	380 (15) minimum
	b Intermediate Side Reflex Reflectors	(A)		Minimum 2	Yellow		

Width 2032mm (80 in.) or wider

DESCRIPTION			MANDATORY REQUIREMENTS				
Area	Equipment	SAE Lens Coding	Functional Purpose	Quantity	Color	Location	Height
6	Rear Clearance Lamps	(P2, PC* or P3, PC2*) *photometrically certified at installation angle	Show vehicle's width MAY NOT be combined with tail lamps	Minimum 2	Red	At widest point - symmetrical on the rear or near the rear facing rearward	As high as practicable may be lower only if ID lamps are at the top
7	Rear Identification (ID) Lamps	(P2 or P3)	Indicate presence of a wide vehicle	Exactly 3	Red	On the rear - center horizontally spaced 150mm (6 in.) to 300mm (12 in.) apart facing rearward	In Canada: at the top - may be lower if door header narrower than 25mm In USA: as high as practicable
8	Front Clearance Lamps	(P2, PC* or P3, PC2*) *photometrically certified at installation angle	Show vehicle's width	Minimum 2	Yellow	At widest point - symmetrical on the front or near the front facing forward	As high as practicable

Width 2032mm (80 in.) or wider AND GVWR 4536 kg (10,000 lb.) or more

DESCRIPTION		MANDATORY REQUIREMENTS					
Area	Conspicuity Treatment	DOT Coding	Quantity	Color	Location	Height	Options
9	Rear Upper Body Markings	DOT-C DOT-C2 DOT-C3 DOT-C4	Exactly 2 pairs of 300mm long strips	White	On the rear upper corners facing rearward	At the top	Rear reflex reflectors may not be required if they are replaced in their required location with conspicuity treatment.
10	Bumper Bar Marking		Continuous	Red/White	On the rear bumper bar's horizontal element full width - facing rearward	No requirement	
11	Rear Lower Body Marking		Continuous	Red/White (see options)	On the rear full width of the vehicle facing rearward	As horizontal as practicable and as close as practicable to the range of 375 to 1525mm from the ground	
12	Side Marking		(see location)	Red/White (see options)	Each side - facing sideward continuous, or evenly spaced over minimum of 50% of length starts and ends as close to the front and rear of the vehicle as practicable	As horizontal as practicable and as close as practicable to the range of 375 to 1525mm from the ground	Optional in Canada: Rear lower body and side conspicuity treatment may also be solid white, solid yellow, or white and yellow.

TECHNICAL REFERENCE | Glossary of Terms

AUTO SELECT™

Auto Select is Peterson's trademark name for a selected group of imported automotive products. Unlike other imported products, Auto Select are designed, built and quality-inspected to PM's stringent standards.

BLADELIGHTS®

Peterson's trademark name for snowplow and emergency lights.

BEACON See WARNING BEACON

BULBS

A glass capsule containing electrodes or a filament which glows when connected to an electrical source. Three bulb types are generally used for illumination and vehicle safety lighting:

Incandescent—there are two basic incandescent bulb styles most frequently used in general lighting products.

Bayonet Base—a traditional, widely used metal-based bulb such as 1156, 1157 or 1895.

Wedge Base—a non-indexed, baseless, all-glass bulb such as 3056, 3157 or 193.

An incandescent bulb is rated by the number of hours it will burn under ideal laboratory conditions. Peterson uses 15,000 hour bulbs, whenever possible, to achieve maximum performance.

Halogen—commonly known for bright, intense light from a small package. In halogen bulbs, tungsten particles from the filament are continually redeposited back on the filament to extend its life. Halogens are available in H1, H3 bulb and sealed beam configurations.

Xenon—a bulb type commonly used in emergency warning lights. Xenon refers to the gas sealed inside the bulb. It serves as a starter in order to accelerate the start up process of high-intensity discharge headlights.

See also: *LED, WARNING BEACON*

CANDELA-SECOND

A standard unit measuring the amount of light seen through a clear lens during one second.

DOT

US Department of Transportation; a cabinet-level Federal department which governs transportation systems in the United States.

See also: *FMVSS 108, NHTSA*

DRIVING LIGHT

A front-mounted white light which produces a long-range, pencil-shaped light pattern. Greatly increases nighttime visibility at highway speeds. See *illustration of fog and driving light beam patterns on page 202*.

See also: *FOG LIGHT*

EMERGENCY BEACON See WARNING BEACON

FMVSS 108

Federal Motor Vehicle Safety Standard No. 108; Part of the Department of Transportation's uniform safety standards for new vehicles and vehicle components. FMVSS 108 regulates head lamps, tail lamps, stop lamps, reflectors, marker lamps, turn signals, ID lamps, etc. Peterson products exceed this regulation.

See also: *DOT, NHTSA*

FOG LIGHT

A front-mounted lamp which produces a low, wide beam pattern in front of the vehicle to greatly increase short-range visibility. Ideal

for added driving safety in rain, snow or fog. See *illustration of fog and driving light beam patterns on page 202*.

See also: *DRIVING LIGHT*

FRESNEL LENS

A compound-angle refracting lens divided into prismatic sections. Designed to collect light and concentrate output in a specific direction.

See also: *LENS*

GREAT WHITE®

Peterson's trademark name for our white LED back-up and license lights.

See also: *LED*

GROMMET See MOUNTING CONFIGURATIONS

HALOGEN See BULBS

HARD WIRED

A term for permanently attaching lead wires to a lamp assembly, rather than using a detachable terminal plug. Hard wired lamps are better sealed and have fewer connection points for greater durability and better corrosion resistance.

INCANDESCENT See BULBS

LED (LIGHT EMITTING DIODE)

A small, solid-state, electronic light source. Some of the advantages of LED-based lamps are:

- 100,000-hour rated life
- Solid state—Vibration resistant, with no filament to break
- Low amp draw—90% less than standard bulbs
- Faster response time for added safety
- Maintenance free

LENS

A transparent or translucent cover over a bulb or LED. In accordance with FMVSS 108, Peterson manufactures lenses with two thermal plastic resins:

Acrylic—the most widely used material for lenses. Features moderate heat and impact-resistance.

Polycarbonate—a premium material with higher impact and heat resistance than acrylic.

See also: *FMVSS 108, FRESNEL LENS*

JOULE

A standard unit measuring energy generated by an electrical circuit. For a strobe circuit, the figure may refer to the energy of a single flash or to a succession of rapid flashes.

See also: *WARNING BEACON*

MAXI-SEAL®

Peterson's trademark name for our custom wire harness systems specifically designed for medium- and heavy-duty trucking industry, and our electrical accessory program for the aftermarket.

MIRRORS

Peterson offers a complete line of passenger car, light truck and van, and heavy duty mirrors and assemblies.

Convex—also known as "blind spot" mirrors. Features a fish-eye design permitting a wider view angle than a traditional mirror.

Elliptical—features a protruding, half-moon shape that allows driver to view a 180° area with a minimum of distortion.

Glossary of Terms | **TECHNICAL REFERENCE**

Wedge Base Convex—an improved version of the traditional convex. Allows over 50° increase in viewing area with less distortion.

West Coast—A style of rear-view mirror assembly designed for large trucks characterized by a tall, narrow mirror face and two or three mounting arms that attach to the door above and below the window opening.

MOUNTING CONFIGURATIONS

Peterson offers many mounting options for our vehicle lights. The three most common are:

Flush mount—a metal or rigid plastic bracket locates the light behind or within a pre-cut mounting hole so that the light does not protrude appreciably beyond the mounting surface.

Grommet mount—a rubber or flexible plastic collar push-fits between the light assembly and a pre-cut mounting hole of specific size and shape. Provides some degree of vibration isolation. Often allows lamp removal without tools.

Surface mount—light is attached above the surface of the vehicle. Usually prevents the need for creating large holes in the material, but small holes may be required for routing wires and attachment hardware such as screws, bolts, or rivets. Light assembly may mount directly to the vehicle, or may use a separate mounting bracket.

NHTSA

National Highway Transportation Safety Administration; A part of the Department of Transportation, this Federal agency oversees and regulates many aspects of vehicle construction and highway travel.

See also: DOT, FMVSS 108

NIGHTWATCHER®

Nightwatcher® is Peterson's trademark name for the entire line of high quality fog, driving and off-road lights and accessories.

PAR 36

An industry standard size and shape for directional sealed beams. Does not designate voltage, brightness or beam pattern.

PHOTOMETRIC

Photometry is the calculation and measurement of quantities of light, such as luminous intensity. This is usually measured in candela or candle power.

PIRANHA®

Peterson's trademark name for our premium LED lights. Piranha® lights not only use state-of-the-art LED circuitry, but are designed and manufactured to be unsurpassed in optical performance and durability while exceeding all applicable regulations and standards.

REFLEX

The characteristic of efficiently reflecting light directly back towards its source regardless of the source's location. Also, a surface or component having this characteristic.

SAE

Society of Automotive Engineers; A non-governmental body which establishes standards for the automotive industry.

SPITFIRE®

Peterson's trademark name for our exclusive microprismatic, wide angle reflectors. 47,000 microprisms per square inch provide superior candle power compared to conventional reflectors.

STROBE See WARNING BEACON

SUBMERSIBLE

A submersible light allows water into the unit when submerged. The bulb and socket are protected by an air pocket formed by the *belljar principle* which permits only a certain amount of water to enter by capturing a pocket of air within the lens assembly, preventing water from contacting the bulb.

VIBAR® and VIBAR II® (VIBRATION IMPACT BARRIER)

Developed in the 1960's, Peterson's Vibar® was the first real shock-mounted socket in the industry and eventually became the standard. This exclusive, resilient socket absorbs road shock and vibration for longer bulb life.

WARNING BEACON

There are three basic types of warning beacons:

Flashing—an emergency lamp which provides intermittent power to a stationary bulb, causing it to flash or blink on and off.

Revolving—revolving lights are available in several variations:

2-Beam—an emergency lamp with two sealed beams or light bulbs which rotate to produce a full, 360° warning.

4-Beam—an emergency lamp with four bulbs. Compared to a similar 2-beam unit, produces twice the light output and twice as many flashes for a given rotation speed.

Rotating Reflector—features a stationary light source with a revolving reflector to produce the 360° warning. This design is commonly used in light bars and compact units.

Strobe—lamp which energizes a gas-filled glass tube to produce, quick, extremely bright flashes.

Dual Flash/Quad Flash—a unit which flashes one strobe light head several times in quick succession before a longer pause. If the system is equipped with multiple strobe heads, each head flashes multiple times in turn.

Master/Slave Units—the master unit has a built-in control circuit, will operate independently by itself and can operate a slave unit. The slave unit has no built-in control circuit and requires the master unit to operate.

See also: CANDELA-SECOND, JOULE, WATT-SECOND

WATT-SECOND

A standard unit measuring the amount of the electrical current delivered per second.

WELDING

Fusing plastic components together by quickly generating friction heat to momentarily melt the mating surface and create a strong, hermetically-sealed bond. Peterson uses three distinct plastic welding techniques:


Linear—vibrating one part against another in a single direction.

Sonic—subjecting the assembly to high-frequency sound waves which vibrate the seams of the plastic.

Spin—rotating one component against another at high speed to create a circular bonding surface

XENON See BULBS

VIZ PACK

 Peterson's term for a variety of retail-friendly, transparent package designs, including clamshells, blister packs, and bags. All Viz Packs are clearly labeled with part number and description, are pilfer-resistant and tamper-evident, and nearly all are hangable.

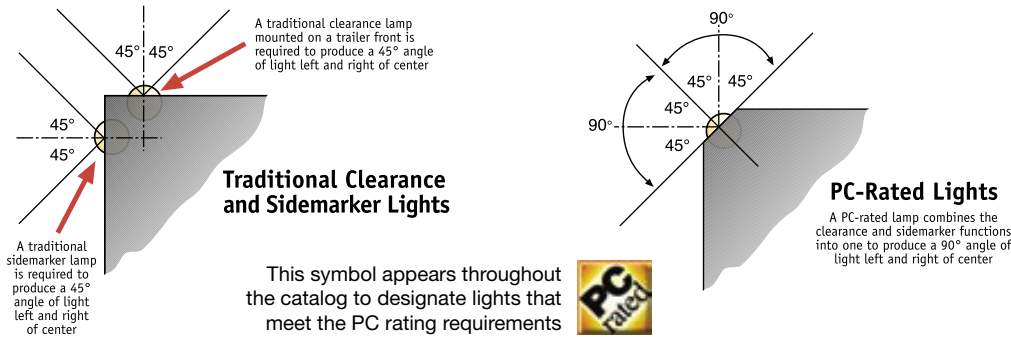
TECHNICAL REFERENCE | SAE Codes

SAE LIGHTING IDENTIFICATION CODES

- A Reflex reflectors
- A2 Wide angle reflex reflectors
- C Motorcycle auxiliary front lamps
- D Motorcycle and motor-driven cycle turn signal lamps
- E Side turn signal lamps—vehicles 12 m or more in length
- E2 Side turn signal lamps—vehicles less than 12 m in length
- F Front fog lamps
- F2 Fog tail lamps
- G Truck cargo lamps
- H Sealed beam headlamps
- HG Discharge forward lighting headlamps
- HH Sealed beam headlamp housings
- HR Replaceable bulb headlamps
- I Turn signal lamps
- I3 Turn signal lamps spaced from 75 mm to less than 100 mm from headlamp
- I4 Turn signal lamps spaced from 60 mm to less than 75 mm from headlamp
- I5 Turn signal lamps spaced less than 60 mm from headlamp
- I6 Rear mounted turn signal lamps and front mounted turn signal lamps mounted 100 mm or more from the headlamp, for use on vehicles 2032 mm or more in overall width
- I7 Front mounted turn signal lamps mounted less than 100 mm from the headlamp, for use on vehicles 2032 mm or more in overall width
- J590 Turn signal flashers
- J845 Warning devices for emergency, maintenance and service vehicles
- J945 Hazard warning signal flasher—*canceled July 1999*
- J1054 Warning Lamp alternating flasher
- J1318 Warning lamps for emergency maintenance and service vehicles
- J1690 Hazard warning signal flasher
- K Front cornering lamps
- K2 Rear cornering lamps
- L License plate lamps
- M Motorcycle and motor-driven cycle headlamps—motorcycle type
- N Motorcycle and motor-driven cycle headlamps—motor-driven cycle type
- O Spot lamps
- P Parking lamps
- P2 Clearance, side marker and identification lamps
- P3 Clearance, side marker and identification lamps for use on vehicles 2032 mm or more in overall width
- PC Combination clearance and side marker lamps
- PC2 Combination clearance and side marker lamps for vehicles 2032 mm or more in overall width
- Q Turn signal operating units—Class A
- QB Turn signal operating units—Class B
- QC Vehicular hazard warning signal operating unit
- R Backup lamps
- S Stop lamps
- S2 Stop lamps for use on vehicles 2032 mm or more in overall width
- T Tail lamps (rear position lamps)
- T2 Tail lamps (rear position lamps) for use on vehicles 2032 mm or more in overall width
- U Supplemental high-mounted stop and turn lamps
- U2 Supplemental high-mounted stop and turn lamps for use on vehicles 2032 mm or more in overall width
- U3 Center high-mounted stop lamps for passenger cars, light trucks and MPVs
- W Warning lamps for emergency, maintenance and service vehicles
- W2 Warning lamps for school buses
- W3 360-degree emergency warning lamps
- W4 Emergency warning devices
- W5-1 360-degree gaseous discharge lamps—Class 1
- W5-2 360-degree gaseous discharge lamps—Class 2
- W5-3 360-degree gaseous discharge lamps—Class 3
- Y Driving lamps
- Y2 Daytime running lamps
- Z Auxiliary low beam lamps

TECHNICAL REFERENCE

SAE PC RATING EXPLAINED



SAE Classes & Mounting Dimensions | **TECHNICAL REFERENCE**

TECHNICAL REFERENCE



SAE CLASS RATINGS

BACK-UP ALARMS

Class	Sound Level	The Society of Automotive Engineers (SAE) has developed performance standards for electric back-up alarms that are intended for use on heavy construction machinery. This chart shows the decibel level established
A	112 dB(A)	
B	107 dB(A)	
C	97 dB(A)	
D	87 dB(A)	
E	77 dB(A)	
F	Other	

for each of six classes defined in SAE Standard J944. The sound level tolerance for each class is +/- 4 dB(A). Alarms conforming to SAE J944 must also meet additional criteria relating to sound frequency, temperature range and resistance to rain, vibration and corrosion.

STROBE BEACONS

Class	Intended Function	The Society of Automotive Engineers (SAE) has developed performance standards for 360° gaseous discharge (strobe) warning lamps. This chart shows the
1	Emergency Response	
2	Warning	
3	Identification	

three classes defined in SAE Standard J1318 and their intended use. Each class is defined by specific photometric criteria for flash brightness and distribution that are too complex and numerous to be listed here. Beacons conforming to SAE J1318 must also meet additional criteria relating to housing durability, temperature range and resistance to rain, vibration and corrosion.

GROMMET & FLANGE MOUNTING DIMENSIONS

Grommet No.	Description	Panel Cutout	Max. Panel Thickness
142-17	Grommet, round, raised mount	2.75" diameter	0.17"
142-18	Grommet, round, recess mount	3.125" diameter	0.18"
142-181	Grommet, round, recess mount	3.125" diameter	0.18"
143-17	Grommet, round, flush mount, closed-back	3.125" diameter	0.18"
143-18	Grommet, round, flush mount	2.75" diameter	0.15"
144-18	Grommet, round, flush mount, closed-back	2.75" diameter	0.15"
146-18	Grommet, round, flush mount	2.25" diameter	0.25"
146-181	Grommet, round, raised mount	2.125" diameter	0.075"
146-182	Grommet, round, flush mount, closed-back	2.25" diameter	0.25"
146-184	Grommet, round, raised mount	2.25" diameter	0.25"
150-18	Grommet, rectangle, flush mount	2.88" x 1.53"	0.17"
150-181	Grommet, rectangle, flush mount	3.00" x 1.65"	0.25"
426-18	Grommet, round, flush mount	4.50" diameter	0.25"
421-18	Grommet, oval, flush mount	2.44" x 6.65"	0.25"

Dimensions given are for reference only. Due to various panel thickness, the size of the hole may need to be adjusted.

Lamp Series w/ Flange	Lamp Type	Mounting Hole Diameter
411, 413, 418, 424, 425, 2760	4" Round	4.5"
423, 2875	Oval	6.75" x 2.5"
162, 163	2 1/2" Round	2.75"
146, 164, 165	2" Round	2.25"





Wesbar®


WESBAR LIGHTS


T





STANDARD UNDER 80" TRAILER LIGHT & WIRE KIT			
	Plain Carton	Display Pack	Description
	*417525	*417525	Standard trailer light kit with 25' wire harness rectangular clearance w/side marker lights
	W417520	*417520	Standard trailer light kit with 20' wire harness rectangular clearance w/side marker lights
		W407500	Standard trailer light kit with 20' wire harness rectangular clearance no side marker lights
		W3335	Lens, Lamp replacement
		W3337	Lens, side marker red
		W3338	Lens, Side marker amber

STANDARD UNDER 80" TAIL LAMP			
	Bulk Pack	Display Pack	Description
	W3010	W403010	7-Function tail lamp, standard, roadside
	W3060	W403060	6-Function tail lamp, standard, curb side
		W3335	Lens, Lamp replacement
		W3337	Lens, side marker red


STANDARD OVER 80" TAIL LAMP			
	Bulk Pack	Display Pack	Description
	W3012	W3012	8-Function tail lamp, standard, roadside
	W3062	*W3062	7-Function tail lamp, standard, curb side
		W3335	Lens, Lamp replacement
		W3342	Lens clearance marker red over 80"

SUBMERSIBLE UNDER 80" TAIL LAMP & WIRE KIT			
	Plain Carton	Display Pack	Description
	*007589	*007590	Submersible "under 80" trailer light kit w/25' harness and SM lamps
		W7511	Submersible "under 80" trailer light kit w/20' harness and no SM lamps
		W3335	Lens, Tail lamp
		W3337	Lens, side marker red
		W3338	Lens, Side marker amber

SUBMERSIBLE UNDER 80" TAIL LAMP				
	Bulk Pack	Display Pack	Description	Lens Marking
	W3006	W3023	7-Function tail lamp, submersible, roadside	300-003/3327
	W3056	W3073	6-Function tail lamp, submersible, curb side	300-003/3327
		W3335	Lens, Lamp replacement	30-003
		W3337	Lens, side marker red	3327

SUBMERSIBLE OVER 80" TAIL LAMP				
	Bulk Pack	Display Pack	Description	Lens Marking
	W3008 WSL	W3024	8-Function tail lamp, submersible, roadside	300-003/7292
	W3058 WSL	W3074	7-Function tail lamp, submersible, curb side	300-003/7292
		W3335	Lens, Lamp replacement	30-003
		W3342	Lens clearance marker red over 80"	7292

WATERPROOF OVER 80" WRAP-AROUND TAIL LAMP

	Bulk Pack	Display Pack	Description	Lens Marking
	W3521	W3028	8-Function tail lamp, roadside w/ reflex on top	105825
	W3571	W3078	7-Function tail lamp, curb side w/ reflex on top	105826
	*003523		8-Function tail lamp, roadside w/ reflex on bottom	105826
	*003573		8-Function tail lamp, roadside w/ reflex on bottom	105825


NON-WATERPROOF SERIES

W407515			105825
			105826


ACCESSORIES

W3372	Lens wrap around for 3521, 3573, 3421, & 3028	105825
W3373	Lens wrap around for 3571,3523, 3471, & 3078	105826
WW403356	Bulb replacement tail lamp capsule	

WATERPROOF OVER 80" LOW PROFILE TRAILER LIGHT AND WIRE KIT

	Plain Carton	Display Pack	Description
	W7509	W7509	Waterproof over 80" low profile trailer light and wire kit
		W3348	Sealed tail lamp capsule
		W3336	Lens set (tail & side marker)


WATERPROOF OVER 80" LOW PROFILE TAIL LAMP

	Bulk Pack	Display Pack	Description	Lens Marking
	W3504	W3026	8-Function tail lamp, roadside	102639/41
	W3554	W3076	7-Function tail lamp, curb side	102639/41


ACCESSORIES


W3336	Lens set (tail & side marker)	
W3348	Sealed tail lamp capsule	


WATERPROOF "OVER 80" WRAP-AROUND TRAILER LIGHT KIT


	Bulk Pack	Description
	W7516	Waterproof "over 80" wrap-around trailer light kit
	*W3356	Bulb replaceable tail lamp capsule
	W3372	Lens, wrap around, roadside (reflex on top)
	W3373	Lens, wrap around, curbside (reflex on top)


LED LOW PROFILE MARINE LAMP


	Bulk Pack	Display Pack	Description
	*271574		right lamp bulk 50 carton
	*271575		left lamp bulk 50 carton
		*407540	tail lamp kit clam pack
		*417545	tail lamp kit standard carton
		*407530	right lamp clam pack
		*407535	left lamp clam pack
		*729063	*719063
	*221587	*401587	lamp plug with 2-way connector


LED 6" OVAL STOP, TAIL & TURN LAMP			
	Bulk Pack	Display Pack	Description
	*4706004	*401584	red lamp horizontal mount only, 50 carton
	*4706001	*401563	red lamp verticle mount only, 50 carton
	*4000003		pigtail connector
	*4006020		grommet


LED MINI MARKER/CLEARENCE LAMP (3230 STYLE)			
	Bulk Pack	Display Pack	Description
	*479002	*401565	amber lamp (bulk 50 carton)
	*479001	*401566	red lamp (bulk 50 carton)

LED IDENTIFICATION LIGHT BAR			
	Bulk Pack	Display Pack	Description
	*4799004		LED identification light bar 3 red LEDs (bulk 100/carton)
	W3302		
	W3305		
	W3312		


STANDARD CLEARENCE / MARKER LAMP WITH REFLECTOR				
	Bulk Pack	Display Pack	Description	Lens Marking
	W3101	W3111	Clearence / marker lamp, stud mount, amber	3327
	W3103	W3113	Clearence / marker lamp, stud mount, red	3327
	W3121	W3131	Clearence / marker lamp, ear mount, amber	3327
	W3123 WSL	W3133	Clearence / marker lamp, ear mount, red	3327
		W3337	Lens side marker, red	3327
		W3338	lens side marker, amber	3327
3 1/8" x 2 3/8" x 1"				


STANDARD COMBO CLEARENCE / MARKER LAMP WITH REFLECTOR			
	Bulk Pack	Display Pack	Description
	*003266	W3263	Clearence / marker lamp, stud mount, amber
	*003267	W3264	Clearence / marker lamp, stud mount, red
	W3240 WSL	W3378 WSL	Lens side marker, red
	W3241 WSL	W3377	lens side marker, amber
	*003242		
	*003243		
3 3/4" x 2 1/4" x 15/16"			


WATERPROOF COMBO CLEARENCE/MARKER WITH REFLECTOR			
	Bulk Pack	Display Pack	Description
	*003250	W3260	sealed clearence/marker lamp with reflector, stud mount, amber
	*003251		sealed clearence/marker lamp with reflector, surface mount, amber
	*003252		sealed clearence/marker lamp with reflector, stud mount, red
	*003253		sealed clearence/marker lamp with reflector, surface mount, red
	*108125		Mounting wedge
4 3/4" x 1 7/16" x 1 1/4"			

WATERPROOF COMBO STANDARD CLEARANCE/MARKER LAMPS			
	Bulk Pack	Display Pack	Description
	*003230	*203233	clearance light amber with white stud-mount base
	*003231	*203234	clearance light red with white stud-mount base
	*003239		clearance light red with black stud-mount base
	*003272	*203285	clearance light amber with white ear-mount base
	*003273	*203286	clearance light red with white ear-mount base
	*003238		clearance light amber with black stud-mount base
STUD 2 1/8" x 1 1/8" x 1 1/16" EAR 3 5/16" x 1 5/16" x 1"			

FLUSH MOUNT CLEARANCE/MARKER LAMP WITH REFLECTOR			
	Bulk Pack	Display Pack	Description
	*003139	*513139	Clearance/marker lamp, amber
	*003138	*513138	Clearance/marker lamp, red

STANDARD COMBO CLEARANCE/MARKER LAMP			
	Bulk Pack	Display Pack	Description
	*003225	W3235	clearance light amber stud-mount base
	*003236	W3236	clearance light red stud-mount base
		*003339	lens clearance light red stud-mount base
		*003339	lens clearance light amber stud-mount base
2 1/4" x 2 1/4" x 1 1/4"			

AMBER "OVER 80" CLEARANCE/MARKER LAMP WITH REFLECTOR			
	Bulk Pack	Display Pack	Description
	*003141	*003148	amber "over 80" clearance/marker lamp with reflector
		*003318	lens clearance light amber
2 3/4" x 2 7/8" x 1 1/4"			

DUAL-BULB COMBO CLEARANCE/MARKER LAMP WITH REFLEX			
	Bulk Pack	Display Pack	Description
	*003430		clearance light amber with hex shaped lens
	*003431		clearance light red with hex shaped lens
	*003434	*003464	clearance light red with oval shaped lens
	*003435	*003465	clearance light amber with oval shaped lens
		*003491	lens red with hex shaped lens
		*003490	lens amber with hex shaped lens
		*003492	lens red with oval shaped lens
		*003493	lens amber with oval shaped lens
4" x 2" x 1 1/8"			


Notes:


F





BARGMAN LIGHTS





MARKER LIGHT WRAP AROUND / RECESSED TRIPLE TAIL LIGHT #86 SERIES		
	Part Number	Description
	*30-86-005	red with colonial white base
	*30-86-006	amber with colonial white base
	*30-86-202	red with black base
	*30-86-203	amber with black base
	*34-86-202	red with black base bagged
	*34-86-203	amber with black base bagged
5 3/4" x 4 3/8" x 2 3/16"		

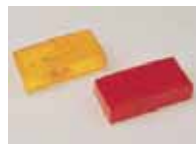
RECESSED TRIPLE TAIL LIGHT #84 SERIES		
	Part Number	Description
	*30-84-002	Horizontal mount with red -red, backup lens with colonial white base
	*30-84-003	Horizontal mount with red -amber, backup lens with colonial white base
	*30-84-005	Horizontal mount with red -amber, backup lens with black base
	*30-84-009	Horizontal mount with red -red, backup lens with black base
	*30-84-509	Vertical mount with red, red, back up with black base
	*30-84-522	Horizontal mount with red, center backup , red lens with black base
	*30-84-523	Vertical mount with red, red, back up with white base
	*30-84-530	Horizontal mount with red -red, backup lens with white base
	*34-84-009	Horizontal mount with red -red, backup lens with black base - bagged
Cutout 12 11/16" x 5 1/2" Overall 14 1/16" x 6 15/16" x 1 1/4" with 1" depth		


RECESSED TRIPLE LONG TAIL LIGHT #84 SERIES		
	Part Number	Description
	*30-84-101	Horizontal mount with red , backup, red, lens with colonial white base
	*30-84-103	Horizontal mount with red -amber, backup lens with black base
	*30-84-104	Horizontal mount with red , backup, amber lens with black base
	*30-84-553	Vertical mount with red, back up, red, with black base
	*30-84-554	Vertical mount with red, back up, amber with black base
Cutout 16 1/8" x 3 5/8" Overall 18" x 5 5/16" x 1 1/4" with 1" depth		

LED UPGRADE KIT 84/85/86 SER RED		
	Part Number	Description
	42-84-410	LED Stop/Tail/Turn Light Lens Module Red w/Bulb Socket Plug
	42-84-412	LED Turn Light Lens Module Amber w/Bulb Socket Plug
	42-84-414	LED Backup Light Lens Module Red Reflex w/Clear Center w/Bulb Socket Plug
	42-86-410	LED Wrap-Around Clearance Light Module Red
	42-86-412	LED Wrap-Around Clearance Light Module Amber


CLEARANCE SIDE MARKER LIGHT #68 SERIES		
	Part Number	Description
	*30-68-503	Utility light # 68 clear
	*30-68-510	clearance light #68 red with foam gasket
	*30-68-511	clearance light #68 amber with foam gasket
	*34-68-503	Utility light # 68 clear - bagged
	*34-68-510	clearance light #68 red with foam gasket - bagged
	*34-68-511	clearance light #68 amber with foam gasket - bagged
3 7/8" x 1 13/16" x 1/2" with 1" depth		


CLEARANCE SIDE MARKER LIGHT #99 SERIES		
	Part Number	Description
	30-99-001	Clearance light #99 red
	*34-99-001	Clearance light #99 red - bagged
	30-99-002	Clearance light #99 amber
	*34-99-002	Clearance light #99 amber - bagged
	40-40-120	two light fender mount bezel
	30-99-010	red lens
30-99-012	amber lens	
4 1/16" x 1 3/8" x 1"		

CLEARANCE SIDE MARKER LIGHT #99 SERIES		
	Part Number	Description
	30-37-801	Clearance light #378 red with colonial white base
	30-37-802	Clearance light #378 amber with colonial white base
	30-37-811	lens red #378 series
	30-37-812	lens amber #378 series
4" x 2" x 1 1/8"		

PORCH UTILITY LIGHT #78 SERIES			
	Part Number	Part Number with switch	Description
	Remote switch required		
	*30-78-501	*30-78-503	colonial white with clear lens
	*30-78-502	*30-78-504	colonial white with amber lens
	*30-78-515	*30-78-517	ash white #5 with clear lens
	*30-78-516	*30-78-518	ash white #5 with amber lens
	*30-78-522	*30-78-524	black with clear lens
	*30-78-523	*30-78-525	black with amber lens
	*30-78-531	*30-78-533	bright white #4 with clear lens
	*30-78-532	*30-78-534	bright white #4 with amber lens
	*30-78-600		chrome with clear lens
	*30-78-601		chrome with amber lens
	*34-78-501	*30-78-503	colonial white with clear lens - bagged
	*34-78-502	*30-78-504	colonial white with amber lens - bagged
	*34-78-515	*30-78-517	ash white #5 with clear lens - bagged
	*34-78-516	*30-78-518	ash white #5 with amber lens - bagged
	34-78-021		Clear lens
5 5/16" x 3 1/2" x 2"			



PORCH UTILITY LIGHT #79 SERIES			
	Part Number Remote switch required	Part Number with switch	Description
	*30-79-001	830-79-002	base assembly white #5 with bulb No lens
	*30-79-021	*30-79-021	lens #79 clear
	*30-79-022	*30-79-022	lens #79 amber
	*34-79-515	*30-79-517	Porch light #79 white #5 with clear lens - bagged
		*34-79-516	*34-79-518
6 5/8" x 3 1/2" x 2 1/16"			

SURFACE MOUNT TAIL LIGHT #92 SERIES				
	Bargman bulk	Bargman packaged	Description	
	*30-92-001	34-92-001	Stop/Tail/Turn light surface mount #92 with white base	
	*30-92-106		Stop/Tail/Turn light surface mount #92 with black base	
	*30-92-003	*34-92-003	Stop/Tail/Turn light surface mount #92 with lic light & bracket white base	
	*30-92-108		Stop/Tail/Turn light surface mount #92 with lic light & bracket black base	
		*30-92-002	*34-92-002	Stop/Tail/Turn light surface mount #92 with back up white base
		*30-92-107		Stop/Tail/Turn light surface mount #92 with back up, black base
		*30-92-004	34-92-004	Stop/Tail/Turn light surface mount #92 w/back up, lic light & bracket white base
		*30-92-109		Stop/Tail/Turn light surface mount #92 w/back up, lic light & bracket black base
		*30-92-130	*34-92-130	Turn light amber surface mount #92 with white base
		*30-92-132		Turn light amber surface mount #92 with black base
Replacement Parts				
	*30-90-156	*34-90-156	bulb 1156 single element	
	*30-90-157	*34-90-157	bulb 1157 double element	
	*30-90-012	*34-92-012	lens for 30-92-001,006	
	*30-92-135	*34-92-135	lens for 30-92-130, 132	
	*30-92-704	*34-92-704	lens for 30-92-002, 007	
	*30-92-708	*34-92-708	lens for 30-92-003, 108	
	*30-92-713	*34-92-713	lens for 30-92-004, 109	
8 9/16" x 4 9/16" x 2 1/8"				

TAILLIGHT REPLACEMENT LENS			
	34-84-010	Red	Tail Light Lens #84,#85,V Red replacement
	34-92-012	Red	TAILLIGHT REPLACEMENT LENS RED FOR 60-92-001 & 106
	34-92-708	Red w/ Bracket	TAILLIGHT REPLACEMENT LENS RED W/LICENSE BRACKET FOR 30-92-003 & 108



SURFACE MOUNT TAIL LIGHT #91 SERIES		
	Part Number	Description
	*30-91-002	tail light surface/horizontal mount #91 with backup, white base
	*30-91-007	tail light surface/horizontal mount #91 with backup, colonial white base
	*34-91-002	tail light surface/horizontal mount #91 with backup, white base - bagged
	*34-91-007	tail light surface/horizontal mount #91 with backup, colonial white base - bagged
	*30-91-004	tail light surface/horizontal mount #91 with backup, with bracket white base
	*30-91-009	tail light surface/horizontal mount #91 with backup, with bracket colonial white base
	*34-91-004	tail light surface/horizontal mount #91 with backup, with bracket, white base - bagged
	*34-91-009	tail light surface/horizontal mount #91 with backup, with bracket, colonial white base - bagged
	*30-91-001	tail light surface mount #91 with white base
	*30-91-006	tail light surface mount #91 with, colonial white base
	*30-91-106	tail light surface mount #91 with black base
	*34-91-001	tail light surface mount #91 with white base - bagged
	*34-91-006	tail light surface mount #91 with colonial white base - bagged
	*30-91-003	tail light surface mount #91 with bracket, white base
	*30-91-008	tail light surface mount #91 with bracket with colonial white base
	*34-92-003	tail light surface mount #91 with bracket, with white base - bagged
	*34-91-008	tail light surface mount #91 with bracket, with colonial white base - bagged
8 5/8" x 4 5/8" x 2"		

SINGLE TAIL LIGHT #86 SERIES		
	Part Number	Description
	*30-86-001	Stop-Tail-Turn with colonial white base
	*30-86-002	turn red with colonial white base
	*30-86-003	backup vertical mount with colonial white base
	*30-86-004	turn amber with colonial white base
	*30-86-101	Stop-Tail-Turn with black base
	*30-86-102	turn red with black base
	*30-86-103	backup with vertical mount with black base
	*30-86-104	turn amber with black base
	*30-86-105	backup horizontal mount with black base
	*34-86-101	Stop-Tail-Turn with black base - bagged
	*34-86-103	backup vertical mount with black base - bagged
	*34-86-104	turn amber with black base - bagged
5 13/16" x 5 3/8" x 2 7/8"		

PORCH UTILITY LIGHT #79 SERIES		
	Part Number	Description
		30-62-102

Stock items maybe purchased in any quantity


* = Special Order/Non-Stock


F


Custer Lighting


Import Lighting


F


TOWING LIGHTS NON-SCRATCH MAGNETIC BASE		
	Part Number	Description
	ATL20A	2 lightweight plastic lightheads, 20 ft flat wire


EZ TOW LIGHTS WITH HINGE FLAPS		
	Part Number	Description
	EZT20B	Use on cars, trucks, tractors. Hinge flap hooks to trunk of car 20 ft harness
	TBX	Toolbox carry case
	HDTL30CC-7B	7 way plug


HEAVY DUTY TOWING KIT		
	Part Number	Description
	HDTL30CC	Lenses are mounted in rubber housing 30 ft cord with heavy duty plug 17 ft cord between lights
		STURDY PLASTIC CASE INCLUDED


LED MAGNETIC TOW LIGHTS RED		
	Part Number	Description
	ATL-LED	Non scratch base 20 ft harness 5 ft between lights


LED 2 FUNCTION LIGHT		
	Part Number	Description
	HF18R-PHD	LED 2 function red light (Flashing or Solid)Magnetic base battery operated 4 AA (not included)


4 IN 1 WORKLIGHT		
	Part Number	Description
	1118AC	Sticks, clamps hangs anywhere 18 ft cord with polarized plug Powerful magnetic base Spring clamp one year warrenty


HAZARD FLASHER		
	Part Number	Description
	HF100A	Light duty hazard flasher Runs on 4 AA batteries, (not included) 20 Lb magnetic base Excellent alternative to flares.

LED LIGHT BAR RED STOP, TURN, TAIL		
	Part Number	Description
	CPL9401	LED Light bar red Stop, turn, tail
	CPL9451	14 LED's 15" x 2"
	CPL9463	ID bar LED


AMBER 4" LED LIGHT		
	Part Number	Description
	22546A	Amber 4" LED light 10 Diodes Needs Grommet B426-18 & plug B421-491 (sold seperately)


ROUND FLANGED METAL CAN TAIL LIGHT		
	Part Number	Description
	CPL410-FB	LED 6" OVAL SURFACE MT SIT/T W/CHROME BEZEL HARD WIRED
	CPL65R10-FB	

LED OVAL RED TAIL LIGHT		
	Part Number	Description
	CPL65R-10	Oval red LED 10 Diodes
		Does not include plug or grommet

ROUND BACK UP LIGHT		
	Part Number	Description
	CPL4CL10	LED 4" ROUND BACK UP LIGHT W/10 DIODES NEED PLUG AND GROMMET SOLD SEPERATE
	CPL65-CL	CLEAR LED 6.5" OVAL BACK UP LIGHT CLEAR LED 6.5"
	CPL65CL10	OVAL BACK UP LIGHT 10 DIODES

T CUSTER LIGHTING

LICENSE PLATE LIGHT		
	Part Number	Description
	LL-LED	LED LICENSE PLATE LIGHT BLACK HOUSING

LED HIGH POWER MINI STROBE AMBER		
	Part Number	Description
	STRL4A	LED HIGH POWER MINI STROBE AMBER runs on 9v to 36 volts

F