



Couplers, Actuators & Components



Couplers, Actuators & Components

- Couplers
- Coupler Components
- Locks & Accessories
- Pintle Eyes
- 5th Wheel & Pin Box
- Gooseneck
- Actuators & Components





Couplers

1 7/8 in. Couplers

A:Ball Size B:Channel Size C:Capacity D:Latch Type E:Mount Type
F:Material Size G:MFG



Item Number	Description	Color	SO	A	B	C	D	E	F	G
E11200	Coupler	Zinc		1-7/8in	2in	2K	Flip	2 Bolt	Stamped	Cequent
E112500340	Coupler	Zinc		1-7/8in	2-1/2in	2K	Flip	2 Bolt	Stamped	Cequent
E113000340	Coupler	Zinc	Yes	1-7/8in	3in	2K	Flip	2 Bolt	Stamped	Cequent
TC20CH	Bolt-On Coupler	Primered		1-7/8-2in	3in	3.5K	Winder	2 Bolt	Welded	Ezee
TTC2001Z	Coupler	Zinc		1-7/8in	2in	2K	Flip	2 Bolt	Stamped	Tuff-Tow

2 in. Couplers



P34099



SBC353

A:Ball Size B:Channel Size C:Capacity D:Latch Type E:Mount Type F:Material Size G:MFG

Item Number	Description	Color	SO	A	B	C	D	E	F	G
028381	Round Pipe Coupler	Primered		2in	2-1/2in	5K	Flip	Weld-on	Cast	Cequent
028387	Coupler	Primered		2in	3in	7K	Flip	Weld-on	Cast	Cequent
12563	Weld-On Coupler	Primered		2in	3in	10K	EZ-Latch	Weld-on	Stamped	Demco
12564	Bolt-On Coupler	Zinc		2in	3in	10K	EZ-Latch	3 Bolt	Stamped	Demco
22-200	Coupler	Oily		2in	2in	3.5K	Flip	2 Bolt	Stamped	Cequent
22200 0301	Class II Coupler	Zinc	Yes	2in	2in	3.5K	Flip	2 Bolt	Stamped	Cequent
22-200Z	Coupler	Zinc		2in	2in	3.5K	Flip	2 Bolt	Stamped	Cequent
22-250	Coupler	Oily		2in	2-1/2in	3.5K	Flip	2 Bolt	Stamped	Cequent
22-250Z	Coupler	Zinc	Yes	2in	2-1/2in	3.5K	Flip	2 Bolt	Stamped	Cequent
22-300	Coupler	Oily		2in	3in	3.5K	Flip	2 Bolt	Stamped	Cequent
22300 0301	Coupler	Zinc	Yes	2in	3in	3.5K	Flip	2 Bolt	Stamped	Cequent
22300 0317	Coupler	Oily	Yes	2in	3in	3.5K	Flip	2 Bolt	Stamped	Cequent
34-300	Flip Lever Coupler	Primered		2in	3in	5K	Flip	2 Bolt	Stamped	Cequent
34-318	Hand Wheel Knob Coupler	Zinc		2in	3in	5K	Knob	3 Bolt	Stamped	Demco
80051	Bolt-On Coupler	Black		2in	3in	3.5K	Yolk	2 Bolt	Stamped	Atwood
80055	Coupler	Zinc		2in	3in	3.5K	Yolk	2 Bolt	Stamped	Atwood
80060	Coupler	Black		2in	3in	5K	Yolk	Weld-on	Stamped	Atwood
80082	Coupler	Black		2in	2in	5K	Yolk	Weld-on	Stamped	Atwood
82311	Weld-On Coupler	Black		2in	3in	3.5K	Yolk	Weld-on	Stamped	Atwood
CUK-5153	Class II Coupler	Zinc		2in	2in	3.5K	Flip	2 Bolt	Stamped	Curt
P34099	Weld-on Coupler	Raw		2in	3in	5K	Button	Weld-on	Formed	UFP
P34318	Bolt-On Coupler	Primered		2in	3in	5K	Button	2 Bolt	Formed	UFP
SBC353	Fold Away Coupler	Zinc		2in	3in	3.5K	Flip	Bolt-on	Stamped	Cequent
TTC3001	Coupler	Zinc		2in	2in	3.5K	Flip	2 Bolt	Stamped	Tuff-Tow
TTC3001Z	Coupler	Zinc		2in	2in	3.5K	Flip	2 Bolt	Stamped	Tuff-Tow
TTC3002Z	Coupler Straight	Zinc		2in	2-1/2in	3.5K	Flip	2 Bolt	Stamped	Tuff-Tow
TTC3003Z	Coupler Straight	Zinc		2in	3in	3.5K	Flip	2 Bolt	Stamped	Tuff-Tow
TTC5003Z	Coupler Straight	Zinc		2in	3in	5K	Flip	2 Bolt	Stamped	Tuff-Tow



Couplers 2 5/16 in. Couplers



0090108



1755000



80131



12141-97

028461



A:Ball Size B:Channel Size C:Capacity D:Latch Type E:Mount Type F:Material Size G:MFG

Item Number	Description	Color	A	B	C	D	E	F	G
0090108	Bolt-On Coupler	Painted	2-5/16in	4-1/2in	12K	Flip	4 Bolt	Stamped	Buyers
028461	Coupler	Primed	2-5/16in	2-1/4in	12.5K	Flip	Weld-on	Cast	Cequent
028462	Coupler	Primed	2-5/16in	3in	12.5K	Flip	Weld-on	Cast	Cequent
075074	Bolt-On Coupler	Painted	2-5/16in	4-1/2in	25K	Bar	4 Bolt	Welded	Atwood
12141-97	Bolt-On Coupler	Primed	2-5/16in	4-1/2in	20K	EZ-Latch	4 Bolt	Stamped	Demco
12662-97	Weld-On Coupler	Primed	2-5/16in	3in	21K	EZ-Latch	Weld-on	Stamped	Demco
1755000	Weld-On Coupler	Painted	2-5/16in	3in	20K	Flip	Weld-on	Stamped	Titan
80131	Coupler	Black	2-5/16in	3in	8.5K	Flip	Weld-on	Stamped	Atwood
TTC400PL	Bolt-On Coupler	Black	2-5/16in	4-1/2in	14K	Flip	4 Bolt	Formed	Tuff-Tow

Ezee / Croft Couplers



RA1020



H3BOS



H-3



TC10



H3BOS|RING



H3LA2.5



C2RA-1

A:Ball Size B:Channel Size C:Ring Size D:Capacity E:Latch Type F:Mount Type
G:Material Size H:MFG

Item Number	Description	Extra Info	A	B	C	D	E	F	G	H
C2RA-1	Ring Converter Coupler	Use w/Croft Couplers	----	----	2-1/2in	----	----	Clamp	Cast	Croft
H-3	Weld-On Coupler w/Loop	----	1-7/8-2in	3in	----	5K	Winder	Weld-on	Cast	Croft
H3BOS	Coupler	----	1-7/8-2in	3in	----	5K	Winder	2 Bolt	Cast	Croft
H3BOS RING	One Side Ring-On Coupler	----	1-7/8-2in	3in	2-1/2in	5K	Winder	2 Bolt	Cast	Croft
H3LA2.5	Pintle Ring Adapter	----	1-7/8-2in	----	2-1/2in	3.5K	Winder	Clamp	Cast	Croft
PRC80	Pintle Ring Adapter	----	1-7/8-2in	----	2-1/2in	----	Winder	Clamp	Formed	Ezee
PRC80N	Pintle Ring Adapter	Use w/Prc80	----	----	3 in	----	----	----	----	Ezee
RA1020	Pintle Ring Adapter	Use w/All Ezee Couplers	----	----	2-1/2in	----	----	Clamp	Cast	Ezee
TC10	Coupler	----	1-7/8-2in	2.5in	----	2K	Winder	Weld-on	Formed	Ezee
TC20	Coupler	----	1-7/8-2in	2.5in	----	3.5K	Winder	Weld-on	Formed	Ezee



Couplers A-Frame Couplers



A:Ball Size B:Capacity C:Latch Type D:Material Size E:MFG

Item Number	Description	Color	SO	A	B	C	D	E
0091595	A-frame Coupler	Black	Yes	2-5/16in	15K	Lift	Stamped	Buyers
028386	Bull Dog A-Frame Coupler	Primed		2in	7K	Flip	Cast	Cequent
028463	Bull Dog A-Frame Coupler	Primed		2-5/16in	12.5K	Flip	Cast	Cequent
12660-97	A-Frame Coupler	Primed	Yes	2-5/16in	21K	EZ-Latch	Stamped	Demco
43-805W	A-Frame Cast Coupler	Primed		2in	8K	Flip	Stamped	Cequent
44-305R	A-Frame Coupler	Primed		2-5/16in	10K	Flip	Stamped	Cequent
80072	A-Frame Coupler	Black		2in	5K	Yolk	Stamped	Atwood
80101	A-Frame Coupler	Black		2-5/16in	8.5K	Yolk	Stamped	Atwood
81911	A-Frame Coupler	Black		2-5/16in	10K	Thumb	Stamped	Atwood
81912	A-Frame Coupler	Black		2-5/16in	13K	Thumb	Stamped	Atwood
82680	Under Mount Coupler	Black		2-5/16in	25K	Thumb	Stamped	Atwood
88007	A-Mount Coupler	Black	Yes	2-5/16in	10K	Marvel	Stamped	Atwood
E33305	A-Frame Coupler	Black		2in	5K	Flip	Stamped	Cequent
E44305	A-Frame Coupler	Black		2-5/16in	10K	Flip	Stamped	Cequent
P34100	A-Frame Coupler w/Jack Hole	Raw		2in	5K	Button	Formed	UFP
P34304	A-Frame Coupler w/No Hole	Raw		2in	5K	Button	Formed	UFP
TTCA5100	A-Frame Coupler	Black		2in	5K	Flip	Stamped	Tuff-Tow
TTCA5190	A-Frame Coupler	Black		2in	7K	Collar	Cast	Tuff-Tow
TTCA5200	A-Frame Coupler	Black		2-5/16in	10K	Thumb	Stamped	Tuff-Tow
TTCA5210	A-Frame Coupler	Black		2in	8K	Yolk	Stamped	Tuff-Tow
TTCA5290	A-Frame Coupler-Bulldog Style	Black		2-5/16in	12.5K	Collar	Cast	Tuff-Tow
TTCA5400	A-Frame Coupler	Black		2-5/16in	13K	Thumb	Stamped	Tuff-Tow



Notes:

Couplers, Actuators & Components



Couplers Adjustable Couplers



A: Ball Size B: Channel ID C: Pin Hole D: Capacity

Item Number	Description	Color	SO	A	B	C	D	E
0090110	Adjustable Coupler w/Channel	Black		2-5/16in	2-57/64in	----	12K	Buyers
0090155	Adjustable Coupler w/Channel	Black		2in	2-57/64in	----	10K	Buyers
0091558	Adjustable Coupler	Raw	Yes	2-5/16in	2-57/64in	----	12K	Buyers
05557	Adjustable Coupler	Primered		2-5/16in	2-57/64in	----	12.5K	Cequent
05593	Adjustable Clevis Coupler	Primered		----	2-57/64in	3/4in	10K	Demco
05823	Adjustable Bulldog Coupler	Primered		2in	2-57/64in	----	7K	Cequent
07199	Adjustable Coupler	Black		2-5/16in	2-57/64in	----	20K	Demco
07678-81	Coupler w/Channel	Black	Yes	2-5/16in	----	12.5k	Flip	Demco
18078	Adjustable Clevis Coupler	Raw		----	2-57/64in	1in	20K	Titan
18820	Adjustable Coupler	Black		2-5/16in	2-57/64in	----	12K	Buyers
81906	Adjustable Coupler	Black	Yes	----	----	----	15K	Atwood
A200C	Adjustable Cast Coupler	Primered		2in	2-57/64in	----	8K	Cequent
A256C	Adjustable Cast Coupler	Primered		2-5/16in	2-57/64in	----	12K	Cequent
AH3B	Adjustable Coupler	Raw		2in	2-57/64in	----	7K	Buyers
AH4	Adjustable Coupler	Cast		2-5/16in	3in	----	12K	Croft
B0090160	Adjustable Coupler w/Channel	Raw		2in	2-57/64in	----	10K	Buyers
B18819	Adjustable Coupler	Black		2in	2-57/64in	----	10K	Buyers
B23309	Adjustable Coupler w/Channel	Black		2-5/16in	2-57/64in	----	12K	Buyers
TC90	Adjustable Coupler	Blue		1-7/8-2in	2-7/8in	----	5K	Ezee
TC90HD	Adjustable Coupler	Blue		2-5/16in	2-7/8in	----	10K	Ezee
TTC190	Adjustable Coupler	Black		2in	2-57/64in	----	7K	Tuff-Tow
TTC280	Adjustable Cast Coupler	Black		2-5/16in	2-57/64in	----	15K	Tuff-Tow
TTC290	Adjustable Cast Coupler	Black		2-5/16in	2-57/64in	----	12K	Tuff-Tow
TTC400	Adjustable Coupler	Black		2-5/16in	2-57/64in	----	12K	Tuff-Tow
TTC400C4	Adjustable Coupler w/Channel	Black		2-5/16in	2-57/64in	----	12K	Tuff-Tow
TTC400C6	Adjustable Coupler w/Channel 5 Position	Black		2-5/16in	2-57/64in	----	14K	Tuff-Tow



Coupler Components



A: Ball Size B: Diameter C: Length

Item Number	Description	Extra Info	SO	A	B	C
024200	High Profile Coupler Repair Kit	Bulldog		---	---	---
07532	Coupler Repair Kit	Atwood		2-5/16in	---	---
15774	Clevis Latch Kit	Atwood	Yes	2-5/16in	---	---
15775	Replacement Latch Kit	Atwood	Yes	2in	---	---
2405189	Coupler Repair Kit	Tuff-Tow	Yes	---	---	---
24200	Hand Wheel	Titan		---	---	---
52-0801	Coupler Repair Kit Screw/K Coupler	Fulton		2in	---	---
58-0801	Coupler Repair Kit	Fulton		1-7/8in	---	---
60-0801	Coupler Repair Kit Class 3	Fulton		2in	---	---
61-0801	Coupler Repair Kit 34-308	Fulton		2in	---	---
62-0801	Coupler Repair Kit 34-318	Fulton		2in	---	---
66-0801	Coupler Repair Kit 43-805W/A200C	Fulton		2 5/16in	---	---
670801	Coupler Repair Kit for A256C	Cequent		---	---	---
68-0801	Coupler Repair Kit 44-150W	Fulton	Yes	2 5/16in	---	---
AF250RK	Coupler Repair Kit AF250I	Tuff-Tow		2in	---	---
C-3	Under Jaw Replacement Lip	Croft		---	---	---
CH0701	Handi-Grip Coupler Handle	Fulton		---	---	---
CUK-10P	Coupler Safety Pin	Curt		---	5/16in	---
CUK-5151-94	Coupler Repair Kit Class 2	Curt		2in	---	---
CUK-8P	Coupler Safety Pin	Curt		---	1/4in	---
HDPB330101	Bolt-On Swing Away Hinge	Fulton		3	3	3.5k
HDPB340101	Bolt-On Swing Away Hinge	Cequent	Yes	3in	4in	6K
HDPW340300	Swing Away Bracket Kit	Cequent	Yes	3in	4in	---
HPB3540101	Fold-Away Coupler Kit	Cequent	Yes	---	---	---
HV-3	Coupler Repair Kit 0091015	Croft		2in	---	---
HV-3C	Coupler Repair Kit	Croft		---	---	---
HVB-3	Coupler Bolt	Croft		---	5/8in	4in
HVN3	Nut N3 Loop Winder	Croft		---	---	---
K-3	Hand Wheel	Croft		---	---	---
S-3	Spring	Croft		---	---	---
TC20A	Coupler Body Only	Ezee	Yes	---	---	---
TC90A	Coupler Body TC90	Ezee	Yes	---	---	---
TC90G	Under Jaw w/Bolt & Retainer	Ezee		---	---	---
TCC	Replacement Winder	Ezee		---	5/8in	---
TCD	Bolt Grade 5	Ezee		---	5/8in	4in
TCE	Retainer Clip TCG	Ezee		---	---	---
TCF	Washer	Ezee		---	5/8in	---
TCG	Under Jaw w/Bolt & Retainer	Ezee		---	---	---
TCHDC	Winder TC90HDC	Ezee		---	3/4in	---
TCHDG	Under Jaw w/Bolt TC90HDG	Ezee		---	3/4in	---

Couplers, Actuators & Components



105



106



104



2847DAT



63213



63220



63221



TC-2
TC-3



TC-1



CUF-547



TC-1



TC123

1475DAT



CUF-541



CUF-542



CUF-544



1474DAT



2848DAT



3774XDAT



3794DAT



CUF-474



3008
CUF-22



605DAT



CUF-545



CUF-546



TMC10



BHLO



379DAT



CUF-140



CUF-160



UMAX100KA



UMAX50



UMAX50 K#



34



36



39



4210



378DAT



377DAT



5202
5203
63227



UTL100



UMAX100



Couplers, Actuators & Components



Locks & Accessories

A: Span 1 B: Diameter 1 C: Span 2 D: Diameter 2 E: Ball Size

Item Number	Description	Extra Info	Color	SO	A	B	C	D	E	F
104	Coupler Lock	---	Stainless		5/8in	1/2in	---	---	---	Cequent
105	Combo Lock	2 Lock Set	Stainless	Yes	2-1/2in	5/8in	5/8in	1/2in	---	Cequent
1475DAT	Coupler Lock	---	Gold		7/8in	9/32in	---	---	---	Master
2847DAT	Coupler Lock Adjustable	6 Post ADJ	Stainless		2-3/4in	9/32in	---	---	---	Master
2848DAT	Coupler Lock Combo Set	2 Lock Set	Stainless		2-3/4in	5/8in	2-3/4in	1/2in	---	Master
3008	Coupler Lock	---	Gold		3/4in	1/4in	---	---	---	Buyers
34	Coupler Lock	---	Painted		---	---	---	---	1-7/8-2in	Master
36	Coupler Lock	---	Painted		---	---	---	---	2in	Master
377DAT	Coupler Lock Universal	---	Stainless		---	---	---	---	1-7/8-2in	Master
377KA 0340	Coupler Lock Universal	Keyed Alike	Chrome		---	---	---	---	1-7/8-2in	Master
377KA 0501	Coupler Lock Universal	Keyed Alike	Chrome	Yes	---	---	---	---	1-7/8-2in	Master
378DAT	Coupler Lock	---	Stainless		---	---	---	---	2-5/16in	Master
378KA 0340	Coupler Lock Universal	Keyed Alike	Silver	Yes	---	---	---	---	2-5/16in	Master
3794DAT	Coupler Lock Kit	Keyed Alike	Chrome		3-3/4in	5/8in	2-3/4in	1/2in	2-5/16in	Master
379DAT	Coupler Lock Universal	---	Black		---	---	---	---	1-7/8-2-2-5/16	Master
39	Coupler Lock	---	Painted		---	---	---	---	2-5/16in	Master
4210	Coupler Lock Lunette	---	Zinc		---	---	---	---	2-1/2-3in	Buyers
5202	Coupler Lock	---			---	---	---	---	1-7/8in	Cequent
5203	Coupler Lock	---	Black		---	---	---	---	2in	Cequent
605DAT	Coupler Lock	---	Brass		3/4in	9/32in	---	---	---	Master
63213	Coupler Lock Dead Bolt	---	Stainless/Black		3-3/8in	1/2in	---	---	---	Cequent
63220	Coupler Lock Dead Bolt	---	Stainless/Black		1/2in	1/4in	---	---	---	Cequent
63221	Coupler Lock	---	Stainless		---	---	---	---	2in	Cequent
63222	Coupler Lock Dead Bolt	---	Stainless	Yes	2-3/8in	1/2in	---	---	---	Cequent
63227	Coupler Lock	---	Black		---	---	---	---	2-5/16in	Cequent
BHLO	Coupler Lock Brass	---	---		3/4in	1/4in	---	---	---	Cequent
CUF-1059	Use UMAX50 UNI	---	Hammer Tone	Yes	---	---	---	---	1-7/8-2-2-5/16	Curt
CUF-1066	Trailer Cable Lock Multi Use	---	Black/Yellow		6ft	10mm	---	---	---	Curt
CUF-140	Coupler Lock	---	Hammer Tone		---	---	---	---	2-5/16in	Curt
CUF-160	Coupler Lock Pintle Ring	---	Hammer Tone		---	---	---	---	2-1/2-3in	Curt
CUF-22	Coupler Lock	2 Keys	Brass		3/4in	1/4in	---	---	---	Curt
CUF-474	Coupler Lock Reciever	Keyed ALike	Silver		1/2in	5/8in	1/4in	---	---	Curt
CUF-541	Coupler Lock	---	Stainless		1/2-7/8in	7mm	---	---	---	Curt
CUF-542	Coupler Lock	---	Stainless		2-1/2in	7mm	---	---	---	Curt
CUF-544	Coupler Lock Surge Brake	---	Chrome		3-3/8in	1/4in	---	---	---	Curt
CUF-545	Coupler Lock Universal	---	Zinc		3/4in	1/4in	---	---	---	Curt
CUF-546	Coupler Lock	---	Brass		3/4in	3/8in	---	---	---	Curt
CUF-547	Coupler Lock	---	Stainless		2-5/8in	---	---	---	---	Curt
TC-1	Coupler Lock	---	Stainless		7/8in	1/4in	---	---	---	Trimax
TC123	Coupler Lock	Adj 7/8-3-1/2in	Chrome		3-1/2in	1/2in	---	---	---	Trimax
TC-2	Coupler Lock	---	Chrome		2-1/2in	1/4in	---	---	---	Trimax
TC-3	Coupler Lock Surge Brake	---	Chrome		3-1/2in	1/4in	---	---	---	Trimax
TMC10	Coupler Lock	---	Chrome		7/8in	1/4in	---	---	---	Trimax
UMAX100	Receiver Lock All Couplers	---	Chrome/Black		---	5/8in	---	---	1-7/8-2-2-5/16	Trimax
UMAX100KA	Coupler Lock Universal	Keyed Alike	Chrome/Black	Yes	---	---	---	---	1-7/8-2-2-5/16	Trimax
UMAX50	Coupler Dual Lock Universal	---	---		---	5/8in	---	---	1-7/8-2-2-5/16	Trimax
UMAX50 K#	Coupler Dual Lock Universal	2 Keys	---		---	---	---	---	---	Trimax
UMAX50KA	Coupler Dual Lock Universal	Keyed Alike	---	Yes	---	---	---	---	1-7/8-2-2-5/16	Trimax
UTL100	Coupler Lock Universal	---	Yellow/Chrome		---	---	---	---	1-7/8-2-2-5/16	Cequent
UTL1009999	Coupler Lock Universal	Keyed Alike	---	Yes	---	---	---	---	---	Cequent

Couplers, Actuators & Components



Pintle Eyes Lunette Eye, Hitch

A: Ring ID B: Capacity C: Ring Diameter D: Mounting Width

Item Number	Alias number	Description	Extra Info	SO	A	B	C	D	E
03541		Lunette Eye	Adjustable		3in	20K	1-9/16in	2-3/4in	Buyers
16137		Lunette Eye	Adjustable		3in	14K	1-9/16in	2-3/4in	Buyers
63021		Lunette Eye	Adjustable		3in	12K	1-1/2in	----	Cequent
63022		Lunette Eye	Threaded Ring		2-1/2in	15K	1-1/2in	1-1/2in	Cequent
63023		Lunette Eye Kit	4 Hole Base		2-1/2in	42K	----	----	Cequent
AR1		Lunette Eye	Adjustable	Yes	2-1/2in	10K	----	----	Croft
B18128		Lunette Eye	3 Position Channel		3in	12K	1-9/16in	2-3/4in	Buyers
BDB12492H		Lunette Eye Pintle Ring	----		3in	45K	1-5/8in	4-1/2x4-1/2in	Buyers
BDB125015		Lunette Eye	4 Bolt		2-1/2in	42K	1-1/2in	----	Buyers
BDB12503		Lunette Eye	----		2-1/2in	15K	1-1/2in	1-1/2in	Buyers
BDB1250590		Lunette Eye Pintle Ring	Fits Zieman		2-1/2in	42K	1-1/2in	6-3/4x3in	Buyers
BDB1385		Lunette Eye Pintle Ring	----		3in	60K	1-5/8in	4-1/2x4-1/2in	Buyers
CUE-51	BDB1238	Lunette Eye	Steel DrawBar		3in	22K	1-11/16	14x3in	Curt
CUE-52		Lunette Eye	Steel DrawBar		2-1/2in	22K	----	----	Curt
CUE-53		Lunette Eye	Steel DrawBar		3in	45K	----	----	Curt
CUE-55		Pintle Ring Plate	4 Hole		----	----	----	----	Curt
CUE-56		Lunette Eye	Forged DrawBar		3in	60K	----	----	Curt
CUE-60		Lunette Eye Ring Only	Adjustable		3in	12K	----	----	Curt
CUE-63		Lunette Eye	3 Position Channel		3in	12K	----	----	Curt
CUE-64		Lunette Eye	5 Position Channel		3in	12K	1-9/16	2-3/4in	Curt
CUE-66		Lunette Eye Ring Only	Adjustable		3in	12K	----	----	Curt
LW10		Lunette Eye	Weld-On		2-1/2in	10K	1in	2-1/2x5/8in	Buyers
LW625		Lunette Eye	Forged Ring 5in OD		3in	----	1in	----	Buyers
LW847		Lunette Eye	Weld-On		3in	N/A	1-5/8in	N/A	Buyers



Adjustable Plates

A: Width B: Thickness C: Hole Diameter D: Capacity

Item Number	Description	SO	A	B	C	D	E
57362	Pintle Mount 4 Hole		2.89in	3/8in	5/8in	20K	Demco
59602	Adjustable Plate 5 Pos		2.89in	3/8in	5/8in	20K	Demco
B8978	Adjustable Plate 3 Pos		2.91in	5/16in	5/8in	12K	Tuff-Tow
B8979	Adjustable Plate 5 Pos		2.91in	5/16in	5/8in	12K	Tuff-Tow
BOC2	Adjustable Plate 2 Hole	Yes	----	----	----	----	Croft
CUE-61	Adjustable Plate 3 Pos		----	----	----	----	Curt
CUE-62	Adjustable Plate Bolt Kit		----	----	----	----	Curt
CUE-65	Adjustable Plate 5 Pos		----	----	----	----	Curt
TNP716625750	Adjustable Nose Plate		4.5in	3/4in	21/32in	----	Buyers



TNP716625750



Couplers, Actuators & Components



5Th Airborne & SideWinder Chart

PIN BOX CROSS REFERENCE & REPLACEMENT CHOICES											
Std.	5th Airborne	Std. SW	Air Ride SW	Pin Box Model #	Horizontal Distance	Vertical Distance	Center Distance	Bolt Size	Front Row to KP	Back Row to KP	Pin Box Width
	5AB-E910	ST500SM19K check Wt. rating	ST500GAS202	Youngs Welding-L Demo: 6R19NMW Trail Air-L09, Mkr PB972-WML	.9 .9 .9	.3 .3 .3	N/A N/A N/A	3/4 3/4 3/4	16 16/85 19 3/4 .20	25 16/85 28 3/4 .29	.12 .12 .12
	5AB-S0719-600	ST200SM16K ST200SM19K check Wt. rating	ST200GAS202	5AB-S0719-600 (OE) Lipert 0719 M&M 693 PB-693 Trail Air-M15 or M22 Mkr PB972-0719, PB972-693	7 13/16-7 15/16 7 7/8 7 7/8	.2 .2 2	N/A N/A N/A	5/8 5/8 1/2	.14 .9 9 1/4	21 13/16-21 15/16 16 7/8 17 1/8	.12 .12 .12
	5AB-S13515	ST300SM16K ST300SM19K check Wt. rating	ST300GAS202	5AB-S13515 Venture C13515 Demo: 6R21VEMT Trail Air-M23, Mkr PB972-WM	.8 .8 .8	1 1/2 1 1/2 1 1/2	N/A N/A N/A	1/2 1/2 1/2	13 3/4 10 5/8 10 1/2	21 3/4 18 5/8 18 1/2	.12 .12 .12
	5AB-SS00-700	ST100DSM16K ST100DSM19K check Wt. rating	ST100GAS202	5AB-SS00-700 (OE) Lipert 1116 Lipert 0115 PB-620 PB-620 PB-620 PB-730 Demo: 6R21HBX730 Demo: 6R21HBX620 Demo: 6R21LP1116 Trail Air-M14 or M16 Trail Air-M19 Mkr PB972-1116, PB972-0115, PB972-620, PB972-620, PB972-730	8 3/4-9 1/2 8 3/4 8 3/4 9 1/2 9 1/2 9 1/2 9 1/2 9 1/2 9 1/2 8 3/4	2-2 1/2 2 1/2 2 1/2 2 1/2 2 1/2 2 2 2 1/2	4 3/8-4 3/4 4 3/8 4 3/8 N/A N/A 4 3/4 4 3/4 4 3/4 4 3/8	5/8 5/8 5/8 5/8 5/8 5/8 5/8 5/8 5/8	12 5/8 14 1/2 2 1/4 13 3/8 1 1/2 8 3/4 9 1/2 14 1/2 14 1/4	21 3/16-21 15/16 23 1/4 .11 22 7/8 .11 18 1/4 .19 24 23	12 1/2 12 1/2 12 1/2 12 1/2 12 1/2 12 1/2 12 1/2 12 1/2 12 1/2
	5AB-S7910	ST400SM16K ST400SM19K check Wt. rating	ST400GAS202	5AB-S7910 Leland 7910 Demo: 6R21LUD7910 Trail Air-M17, Mkr PB972-7910	.7 .7 .7	1 1/2 1 1/2 1 1/2	N/A N/A N/A	1/2 1/2 1/2	14 9/16 9 3/8 10 1/2	21 9/16 16 3/8 17 1/2	.14 .14 .14
	5AB-S800	ST600SM16K ST600SM19K check Wt. rating	ST600GAS202	5AB-S800 Youngs Welding-M Demo: 6R21VW Trail Air-M18, Mkr PB972-WMM	.9 .9 .9	.3 .3 .3	N/A N/A N/A	3/4 3/4 3/4	.13 7 3/4 9 1/2	.22 16 3/4 18 1/2	.12 .12 .12
	5AB-T320	N/A	N/A	5AB-T320 Lipert 0516 RBW 7027 Youngs Welding PB-316 Trail Air-10034 Mkr PB972-316, Mkr PB972-7027	7 1/16-7 9/16 7 1/8 7 1/8 7 64/93 7 1/8	2 1/8 2 6/55 2 6/55 2 7/8 2 6/55	N/A N/A N/A N/A	5/8 5/8 1/2 5/8 5/8	-1/8 -1/8 -1/8 1 31/99 -1/8	6 15/16-7 7/16 .7 .7 .9 .7	8 3/4 ID. .8 .8 .8 .8
	5AB-T7016	N/A	N/A	5AB-T7016 RBW 7016-2P Trail Air-T36, Mkr PB972-7016	7 1/4 7 1/8	N/A 1 9/16	N/A N/A	3/4 3/4	1 1/2 -7/8	8 3/4 6 1/4	12 3/4 ID. .12
	5AB-T7234	N/A	N/A	5AB-T7234 Almond AB-34 Almond AB-72 Trail Air-130 Mkr PB972-4872, PB972-4834	7 7/8-8 7/8 .9 7 7/8	2 .2 2	N/A N/A N/A	1/2 1/2 1/2	1/8 .1 -2 49/67	8-9 .10 5 31/99	12 3/4 ID. .12 .12
	5AB-T820	N/A	N/A	5AB-T820 Youngs Welding Trail Air-10037, Mkr PB972-WM45	5 1/2 5 1/2	1 1/2 3	N/A N/A	3/4 49/67	1 39/67 -2 3/4	6 89/95 2 3/4	8 3/4 ID. .8

Couplers, Actuators & Components



Couplers, Actuators & Components

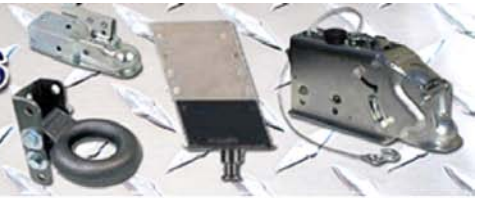


5Th Airborne & SideWinder Chart

PIN BOX CROSS REFERENCE & REPLACEMENT CHOICES		STANDARD PIN BOX REPLACEMENT CHOICES		Pin Box Model #	Horizontal Distance	Vertical Distance	Center Distance	Bolt Size	Front Row to KP	Back Row to KP	Pin Box Width
Std.	5th Airborne	Std. SW	Air Ride SW								
PB-316	5AB-1320	N/A	N/A	PB-316 (RP-C)	7/18	2/6/85	N/A	5/8	-1/8	.7	.8
PB-330	5AB-1320 (Not Extended)	N/A	N/A	PB-330 (RP-C) RPB72-330	7/18	2/6/95	N/A	5/8	11/49/87	18/64/83	.8
PB-500	5AB-ES10-710	ST100/SW19K	ST100/S4SR2	PB-500 (RP-C)	9/12	2/12	N/A	5/8	18-20	27/12-29/12	12/12
PB-520	5AB-SS00-700	ST100/SW19K	ST100/S4SR2	PB-520 (RP-C)	9/12	2/12	N/A	5/8	13/38	22/7/8	12/12
PB-520	5AB-SS00-700	ST100/SW19K	ST100/S4SR2	PB-520 (P)	9/12	2/12	N/A	5/8	.11	20/12	12/12
PB-560	5AB-SS00-700	ST100/SW19K	ST100/S4SR2	PB-560 (RP-C)	9/12	2/12	N/A	5/8	1/12	.11	12/12
PB-680C	N/A	N/A	N/A	PB-680C (P)	7/18	2	N/A	1/2	-3/91/97	3/91/97	.12
PB-683	5AB-S0719-600	ST200/SW19K	ST200/S4SR2	PB-683 (RP-C)	7/18	2	N/A	1/2	9/14	17/18	.12
PB-685H	5AB-E1621-610	ST200/SW19K	ST200/S4SR2	PB-685H (RP-C) PB-685 (RP-C)	7/18 7/18	2 2	N/A N/A	5/8 1/2	18/12 .18	26/3/8 25/7/8	.12 .12
PB-730	5AB-SS00-700	Check WT.	Check WT.	PB-730 (RP-C)	9/12	2	4/34	5/8	8/34	18/14	12/12
PB-730H	N/A	N/A	N/A	PB-730H (P)	9/12	2	4/34	3/4	.9	18/12	12/12
PB-765	5AB-ES10-710	Check WT.	Check WT.	PB-765 (RP-C)	9/12	2	4/34	5/8	19/34	29/14	12/12
PB-765	5AB-ES10-710	Check WT.	Check WT.	PB-765 Carriage (P)	9/12	2	4/34	5/8	19/34	29/14	12/12
PB-770K-FC	5AB-ES10-710K	N/A	N/A	PB-770K (P-C)	8/34	2	4/38	5/8	17/58	26/3/8	.12
PB-770	5AB-ES10-710	Check WT.	Check WT.	PB-770 (P)	9/12	2	4/34	5/8	16/34	26/14	12/12
5TH AIRBORNE PIN BOX REPLACEMENT CHOICES											
	5AB-E13517	ST300/SW16K check WT. rating	ST300/S4SR2	5AB-E13517 Venture C113517 Demo-GR19K/VENT Trail Air-L03, Mor RPB72-ML	8 8 8	1/12 1/12 1/12	N/A N/A N/A	1/2 1/2 1/2	18/14 18/12 18/12	26/14 26/12 26/12	.12 .12 .12
	5AB-E1621-610 replaces Lippert 1621 not HD version	ST200/SW16K ST200/SW19K check WT. rating	ST200/S4SR2	5AB-E1621-610/ICE Lippert 1621 (H/D) MAN 665 PB-665 Demo-GR19K/P1621 Demo-GR19K/665 Trail Air-L02 or L05 Mor RPB72-1621/HD, RPB72-665	7/18/6-7/15/16 7/18	2 2	N/A N/A	5/8 5/8	18/14 17/34	26/1/6-26/3/6 25/5/8	.12 .12
	5AB-ES10-710	ST100/SW16K ST100/SW19K check WT. rating	ST100/S4SR2	5AB-ES10-710/009 5AB-ET10 (00) Lippert 1716 RBM 7028 PB-500 PB-765 Demo-GR19K/765 Demo-GR19K/P776 Trail Air-L04 or L06, Trail Air-L07 Mor RPB72-1716, RPB72-500, RPB72-765, RPB72-770	8/34-9/12 8/34 9/12 9/12 9/12 9/12 8/34	2-2/12 2/12 2/12 2/12 2 2/12	4/34 4/38 N/A 4/34 4/34 4/38	5/8 5/8 5/8 5/8 5/8 5/8	18/14 20/3/8 20 20 19/34 19 20	27-27/3/4 29/1/8 29/12 29/12 29/14 28/12 28/34	12/12 12/12 12/12 12/12 12/12 12/12 12/12
	5AB-ES10-710K	N/A	N/A	5AB-ES10-710K 5AB-ET920 (00) Lahnd 7920, 7921 Demo-GR19K/LMD920 Trail Air-L08, Mor RPB72-7920	8/34	2	4/38	5/8	18/14	27	.12
	5AB-ET920	ST400/SW16K ST400/SW19K check WT. rating	ST400/S4SR2		.7 .7 .7	1/12 1/12 1/12	N/A N/A N/A	1/2 1/2 1/2	18/31/89 18/30/89 21/12	25/31/89 25/30/89 26/12	.14 .14 .14

NOTE: Dimensions deemed reliable but not guaranteed.

Couplers, Actuators & Components

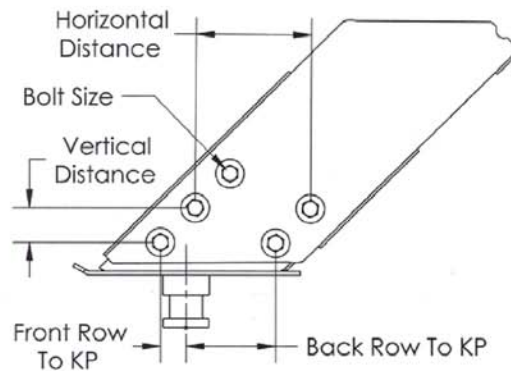
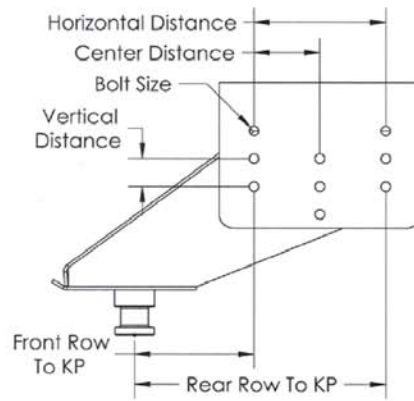
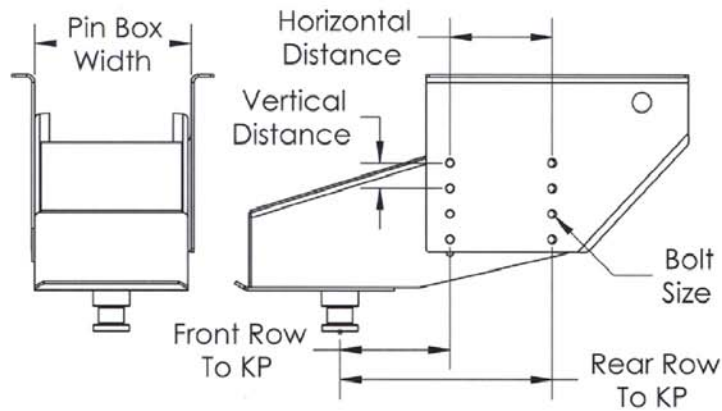


5Th Airborne & SideWinder Chart Chart

PIN BOX MATRIX INFORMATION

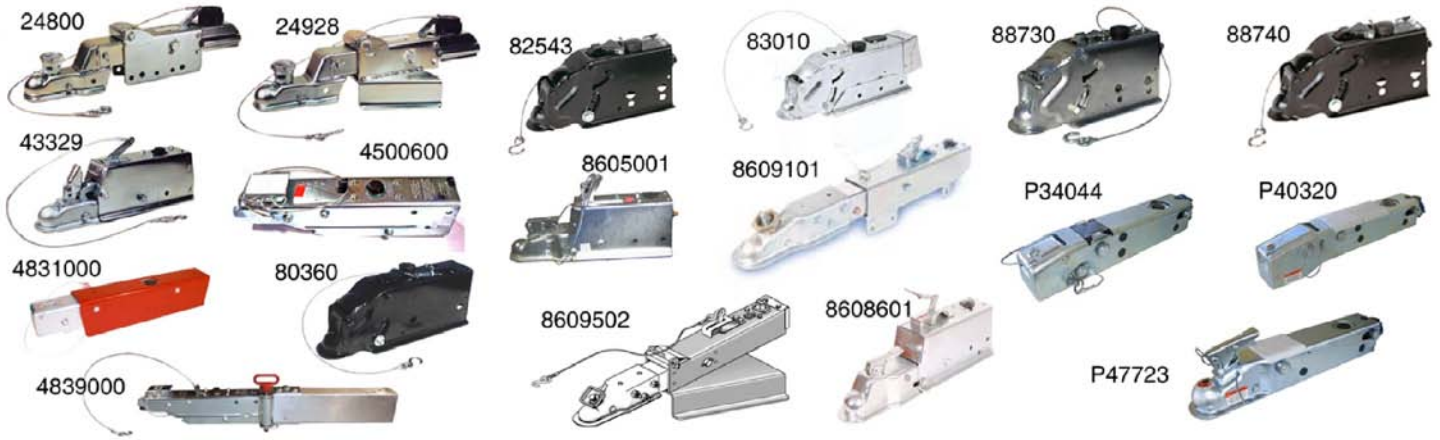
SPECIAL NOTES:

CHECK WT. - There may be an available pin box in that category but the weight rating must be verified.
x x'x - y y'y Dual dimensions denotes that there is a slot and the dimensions may be in between them.





Actuators & Components 2 in. Ball Actuators



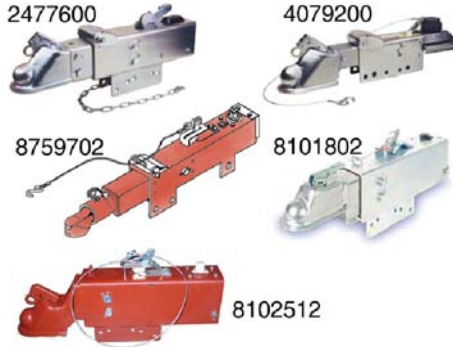
A: Ball Size B: Capacity

Item Number	Description	Color	SO	A	B	C
24800	Model 6 Actuator	Zinc		2in	6K	Titan
24928	Model 6 A-Frame Actuator	Zinc		2in	6K	Titan
43329	Model 60 Actuator	Zinc		2in	6K	Titan
43397	Model 60 Actuator	Zinc		2in	6K	Titan
4500600	Aero 7500 Actuator	Zinc		2in	7.5K	Titan
4606500	Aero 7500 Actuator	Zinc		2in	7.5K	Titan
4816000	Ultra 70 Actuator	Unpainted		2in	7K	Titan
4831000	Ultra 70 Actuator	Unpainted		2in	7K	Titan
4839000	Aero 7500 Swing Away Actuator	Zinc		2in	7.5K	Titan
4839100	Aero 7500 Swing Away Actuator	Zinc		2in	7.5K	Titan
80360	Actuator	Painted		2in	8K	Atwood
80366	Disc Brake Actuator Bolt-on	---	Yes	---	8K	Atwood
82543	Drum Actuator	Painted		2in	6K	Atwood
83005	Drum Actuator	Painted		2in	8K	Atwood
83010	Drum Actuator	Zinc		2in	8K	Atwood
84132	Drum Actuator	Zinc		2in	6K	Atwood
8605001	Actuator DA66B	Plated Zinc		2in	6K	Demco
8608601	Drum Actuator DA86	Zinc		2in	8.6K	Demco
8609101	Knob Actuator DA91	Plated		2in	6K	Demco
8609111	Actuator DA91D	Plated	Yes	2in	6K	Demco
8609502	A-Frame Actuator DA9150	Primed/Zinc		2in	6K	Demco
88730	Disc Actuator	Zinc		2in	6K	Atwood
88740	Disc Actuator	Black		2in	6K	Atwood
ACT7.5KBBUV	Actuator Bolt on w/Backup valve	---	Yes	---	---	Reliable
KS-BUV	Actuator Swing Tongue	---	Yes	---	---	Reliable
P33301	Actuator C70	---		2in	---	UFP
P34039	Inner Slide A-60 Drum-No Outer Case	Zinc		2in	7.5K	UFP
P34043	Single Disc Slide A-60-No Outer Case	Zinc		2in	7.5K	UFP
P34044	Tandem Disc Slide A-60-No Outer Case	Plated Zinc		2in	7.5K	UFP
P40310	Tandem Disc Actuator A-84	Zinc		2in	7.5K	UFP
P40320	Tandem Disc Actuator A-84	Zinc		2in	7.5K	UFP
P47723	Single Disc Actuator A-75	Zinc		2in	7.5K	UFP
P47724	Tandem Disc Actuator A-75	Zinc		2in	7.5K	UFP
P47729	Single Drum Actuator A-75	Zinc		2in	7.5K	UFP



Actuators & Components 2 5/16 in. Ball Actuators

A: Ball Size B: Capacity



Item Number	Description	Color	SO	A	B	C
16075	Model 10 Actuator	Primed		2-5/16in	10K	Titan
2477600	Model 10 Actuator	Plated		2-5/16in	10K	Titan
4042700	Model 20 Actuator	----	Yes	2-5/16in	----	Titan
4079200	Model 6 Actuator	Zinc		2-5/16in	7.5K	Titan
8101801	Straight MA Actuator DA10	Zinc		2-5/16in	12.5K	Demco
8101802	Straight Actuator DA10	Primed		2-5/16in	12.5K	Demco
8102512	Drop TB Actuator DA10	Primed	Yes	2-5/16in	12.5K	Demco
8759702	Actuator DA95H	Primed		2-5/16in	8K	Demco

Adjustable Actuators

A: Capacity



Item Number	Description	Color	SO	A	B
1772700	Model 10 Actuator	----		----	Titan
18991	Adjustable Model 20 Actuator	Primed		20K	Titan
24046	Adjustable Model 10 Actuator	Primed		10K	Titan
24878	Adjustable Model 6 Actuator	Zinc		6K	Titan
4750720	Actuator w/2-5/16 Model 20	----	Yes	----	Titan
4809700	Adjustable Model 10 Actuator	Plated	Yes	10K	Titan
8100122	Adjustable Weld-On Actuator DA10	Primed		12.5K	Demco
8101022	Adjustable Centered Actuator DA10	Primed		12.5K	Demco
8101042	Adjustable Channel Up Actuator DA10	Primed		12.5K	Demco
8101222	Centered Channel Actuator DA10	Primed	Yes	----	Demco
8103721	Adjustable Centered Channel Disc Actuator	Zinc		12.5K	Demco
8202022	Adjustable Actuator DA20	Primed		20K	Demco
8202122	Adjustable Weld-On Actuator DA20	Primed		20K	Demco
8202531	Actuator DA20	Plated	Yes	----	Demco
8758721	Adjustable Disc Center Actuator DA91C	Zinc		8K	Demco
8759122	Adjustable Centered Actuator DA91C	Primed		8K	Demco
8759132	Adjustable Channel Down Actuator DA91	Primed		8K	Demco
8759142	Adjustable Channel Up Actuator DA91C	Primed		8K	Demco
8759522	Adjustable A-Frame Actuator DA9150C	Primed		8K	Demco

Pintle Actuators

A: Capacity



Item Number	Description	Color	SO	A	B
12974	Model 20 Pintle Actuator	Primed		20K	Titan
16077	Pintle Actuator	Primed		10K	Titan
17778	Model 20 Pintle Actuator	Primed		20K	Titan
40455	Model 6 A-Frame Pintle Actuator	Zinc		6K	Titan
4093200	Model 6 Straight Actuator w/Lunette Eye	----	Yes	----	Titan
4238500	Model 10 Actuator w/Lunette Eye	Painted	Yes	----	Titan



Couplers, Actuators & Components



Actuators & Components Electric Over Hydraulic

Item Number	Description	Extra Info	SO	A
097-011-01	Cap Actuator 650-651	----	Yes	Dexter
4835700	Brakerite II SD Kit w/bracket	----	Yes	Titan
K71-650-00	Electric/Hydraulic Actuator 1000PSI	Drum Brakes		Dexter
K71-651-00	Electric/Hydraulic Actuator 1600PSI	Disc Brakes		Dexter

K71-650-00



K71-651-00



Atwood Actuators Components

See Replacement Parts Breakdown Section.

Item Number	Description	SO
84258	Replacement Boot Kit	
85741	Master Cylinder Gasket only	
85830	Replacement Hydraulic Shock	
85837	Master Cylinder w/Push Rod	
85840	Master Cylinder Disc Brake	
85841	Master Cylinder Drum Brake	
85842	Shoulder Bolt Kit w/Block & Nuts	
85844	Release Handle	
85849	Stop & Spring Assembly	Yes
85852	Push Rod Assembly Kit	
87478	Cap Surge Filler w/Seal	
87779	Replacement Boot	
SB18639	Elbow Brake Fittings	
SB80777	Disc Brake Fittings	



84258



85741



85830



85840



SB80777



87478



85842



85852

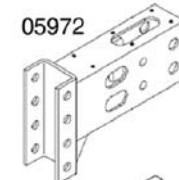


85844

Demco Actuators Components Couplers, Slides & Outer Cases

See Replacement Parts Breakdown Section.

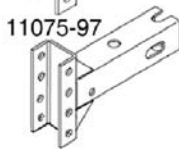
Item Number	Description	SO
03412-97	Outer Case w/No Mount DA20	Yes
03757	Inner Slide Channel DA20	Yes
05335	Inner Slide Centered DA10	Yes
05972	Inner Slide Channel DA10	
07718-97	Outer Case Weld-On DA20	
11042-97	Inner Slide Tube Channel DA20	Yes
11043-97	Inner Slide Primed DA20	Yes
11044-97	Inner Slide Tube Primed DA20	
11047-97	Inner Slide Tube Off-Set DA20	Yes
11050-97	Inner Slide Tube DA20 Channel	Yes
11051-95	Inner Tube Plated F/DA20N	Yes
11053-95	Inner Tube center Style DA10 P	Yes
11053-97	Inner Slide Centered Channel DA10	
11058-95	Inner Slide Tube DA10 Chan Down	Yes
11060-95	Inner Slide Tube Off-Set DA10	
11060-97	Inner Slide Tube Off-Set Prime	Yes
11064-95	Inner Slide F/DA10 2.313LL Dro	Yes
11075-97	Inner Slide Centered Channel DA91	
11079-97	Drop Slide Tube Actuator	Yes



05972



11053-97



11075-97



07718-97



Actuators & Components

Demco Actuators Components Latches, Coupler Repair & Cables

See Replacement Parts Breakdown Section.



Item Number	Description	SO
03866	Break-Away Lever Guide	
05408	Cable 38in w/Hook	
05693	Emergency Spring Lever	
05951	Break-Away Arm Lever	
12200	Cable Safety Assembly	Yes
5401	Break-Away Lever Kit	
5495	Lever Lock Repair Kit	
5695	Emergency Lock Cam Replace Kit	Yes
PT1/8	Plated Thimble	
SB24700	Break-Away Cable 20in w/Hooks	

Master Cylinders, Caps, & Gaskets

See Replacement Parts Breakdown Section.



Item Number	Description	SO
03876	Replacement Surge Brake Cap	
05650	Master Cylinder w/Gasket	
05679	Brake Line Brass Fittings	
05687	Master Cylinder Rubber Boot	
09153	Master Cylinder Gasket Composite	
10142	Master Cylinder Bleeder Assembly w/Gasket	Yes
12557	Master Cylinder Fill Plate	Yes
5672	Master Cylinder Disc Brake	
5783	Master Cylinder Disc Brake DA20	Yes

Pins, Bolts, Nuts, Washers



A: Diameter B: Length

Item Number	Description	SO	A	B
02206	Flathead Screw		1/4-20in	1/2in
03409-95	Front Shock Pin DA20	Yes	----	----
03410-95	Rear Shock Pin DA20	Yes	----	----
03411	Connector Pin DA20		.871in	4.92in
04051	Grade 5 Bolt		5/8-11in	1-1/2in
05849	O-Ring EPDM	Yes	.862in	----
05986	Connector Pin DA10		.871in	4.40in
09215	Rubber Washer	Yes	----	----
11553-81	Bottom Plate Tie Rod	Yes	----	----
11554-81	Top Plate Tie Rod	Yes	----	----
12397	Pin Rue Lock Ring	Yes	.88in	----



Couplers, Actuators & Components



Actuators & Components Demco Actuators Components Push Rods, Shocks & Rollers

See Replacement Parts Breakdown Section.

A: Diameter B:

Length

Item Number	Description	SO	A	B
03534	Push Rod DA20		.385in	8.625in
05441	Front Straight Tube Shock Pin DA91		.624in	3in
05692	Dampner Shock DA66		1.5in	6.875in
05973-95	Front Shock Pin DA10	Yes	.871in	4in
05977	Push Rod DA91		.385in	7.125in
05989	Push Rod DA10		.385in	8.625in



Springs, Brackets, Covers & Wear Slides



See Replacement Parts Breakdown Section.

Item Number	Description	SO
05401	Actuator Wear Disc DA91	
05419	Cover Roller DA91	
05966	Back Cover DA91	
05987	Top Screw Mounted Pad DA10	Yes
05988	Bottom Screw Mounted Pad DA10	Yes
10962	Top Slider Pad DA20	
10963	Bottom Slider Pad DA20	
10964	Slider Side Spacer Pad DA10-20	
10965	Top Slider Pad DA91-10	
10966	Bottom Slider Pad DA91-10	
10967	Slider Side Spacer Pad DA91	
13769-97	Slide Tube DA10	Yes
13770-97	Slide Tube DA20	Yes



Notes:

Couplers, Actuators & Components



Actuators & Components Titan & Dico Actuators Components Couplers, Slides & Outer Cases

See Replacement Parts Breakdown Section.



Item Number	Description	SO
024801	Outer Case Assembly Model 6	SO
10582	Outer Case Repair Part Model 20	Yes
12976	Inner Slide Model 20	
15933	Inner Slide Coupler 2-5/16in Model 20	Yes
1278800	Inner Slide w/Eye DA20	
12976	Inner Slide	
15933	Outer Case Assembly Model 10	
16016	Inner Slide 2-5/16in Model 10	
16084	Inner Slide w/Adjustable Channel	
16087	Replacement Coupler 2in Model 60	
23378	Inner Slide w/3 Lunette Eye	
40456	Inner Slide 2-5/16in Model 6	
40677	Coupler Case Assembly	Yes
4332500	Inner Slide Assembly 2in w/Ball Latch	
43916	Inner Slide w/Channel Model 6	
47451		

Latches, Coupler Repair & Cables



See Replacement Parts Breakdown Section.

Item Number	Description	SO
10526	Break-Away Lock Left	
10527	Break-Away Lock Right	
10541	Break-Away Lever Assembly	
10552	Weather Seal	
10555	Hooks	
17803	Retainer Clip Model 6	
1848700	Coupler Repair Kit 2-5/16in	
23383	Hand Wheel Lock	
24964	Coupler Ring Lock Model 6	
40052	Break-Away Spring Model 60	
40454	Multi-Ft Repair Kit 2in Model 60-6	
43358	Ball Latch Plate 2in Model 60	
43584	Lever Lock Ball Latch Assembly 2in	
4501300	Break-Away Cable Assembly	Yes
4501400	Cable Catch Hold Spring	Yes
4594100	Brake Lever	Yes
4597100	Break-Away Lever A6000	Yes
46238	Break-Away Lever Assembly Model 60	
46239	Break-Away Lever w/Cable	
4822300	Break-Away Cable Ultra 70	Yes
7768	Break-Away Safety Chain 3/16in x 3ft	



Actuators & Components Titan & Dico Actuators Components Master Cylinders, Caps, & Gaskets

See Replacement Parts Breakdown Section.

Item Number	Description	SO
10187	Master Cylinder Kit 1.25in Bore	
10271	Master Cylinder Model 6	
12503	Filler Cap Model 10/20	
15026	Cylinder Repair Kit Model 6/60	
15070	Outer Case Cap	
17556	Master Cylinder Cap	
1777401	Master Cylinder w/Bracket Model 6	Yes
23361	Master Cylinder Model 60	Yes
2341400	Gasket Acco Pack CS301	Yes
23744	Master Cylinder Drum Model 10/20	
43951	Master Cylinder Model 60	
44807	Filler Cap w/Gasket Model 60	
471420042	Master Cylinder Disc Model 60	
4747000	Master Cyl w/o Res Valve w/Cap	Yes
4747100	Master Cylinder Disc Brake Model 10/20	
4819200	Master Cylinder Disc Ultra 70	
4820000	Master Cylinder Kit Model 60	Yes
4830900	Master Cylinder Drum Ultra 70	
4861600	Master Cylinder Actuator Model 20	Yes
7745	Brass Gasket For 12099	



Pins, Bolts, Nuts, Washers



See Replacement Parts Breakdown Section.

A: Diameter B: Length

Item Number	Description	SO	A	B
03328	Iron Spacer		1in x 5/8in	1-1/4in
10274	Spring		.954	4.38in
15934	Damper Pin		.623in	3.8in
15935	Master Pin		7/8in	4-7/16in
17766	Flat Head Pin w/Body Hole		.625in	4.34in
17772	HD Pin		.616in	3.5in
17773	HD Pin		.865in	4in
17815	HX HD Screw		5/16-18in	1/2in
18090	Plate Lock Nut		----	----
183160	Washer		.992in x .03in	.655in
23381	Bolt w/Hole		1/2in	2.619in
4599500	Rollpin A6000	Yes	3/16in	1/2in
7949	HHCS Screw		5/16-18in	5/8in
7971	Slotted Nut		5/8in	----
7985	Front Roller Nut		1/2in	----
8271	Dico Hex Bolt		3/8in	3in



Actuators & Components Titan & Dico Actuators Components Push Rods, Shocks & Rollers



See Replacement Parts Breakdown Section. A: Diameter B: Length

Item Number	Description	SO	A	B
12426	Shock Damper-Works w/Titan & Demco		1.65in	8.875in
1370219S01	Push Rod Assembly w/Break-Away Cable	Yes	---	---
16019	Front Roller Assembly		1.125in	3.5in
17763	Front Roller		1.125in	2.86in
23278	Bushing Roller Dico Model 60		1in	---
23362	Shock Damper Model 60		1.5in	7in
23463	Push Rod Assembly Model 60		.431in	7.5in
23745	Push/Bracket Rod Assembly		.430in	8in
43905	Push Rod Model 6		.430in	3.25in
4597200	Break-Away Catch Pin A6000	Yes	---	---
4819100	Damper Shock Titan Ultra 70	Yes	---	---
7784	Damper Shock Model 20		1.780in	12.5in
8288	Front Roller Bolt Model 10/20		.625in	5.625in
8291	Rear Roller Model 10		2in	---
8294	Rear Roller Bolt Model 20		.619in	5in
8295	Rear Roller Bolt Model 20		.616in	5.5in
8297	Spacer Tube Model 20		.868in	3.60in
8298	Damper Bar Model 20		.50in	4in
8301	Push Rod Block Model 10/20		.620in	3.55in

Springs, Brackets, Covers & Wear Slides

See Replacement Parts Breakdown Section.



Item Number	Description	SO
10209	Bearing GS Nylon Top/Bottom	
12427	Pad Slide Ware Disc Thinner	
1449	Thread-In Zirk 35/64	
16018	Front Roller Cover Model 10	
17762	Cylinder Bracket Mount Model 6	
17767	Front Roller Cover Model 6	
1780300	Spring Titan Model 6	Yes
18066	Cylinder Cover Model 6	
2452500183	Front Cover Model 60	
43368	Compression Spring	
8284	Centering Flat Rail Model 20	
8289	Front Roller Cover Model 20	
8388	Cylinder Bracket Assembly RH	
8389	Cylinder Bracket Assembly LH	



Couplers, Actuators & Components



Actuators & Components UFP Actuators Components Couplers, Slides & Outer Cases



P34021



P47720



P34088

Item Number	Description
P19100D	Inner Slide w/Drop Latch 16K
P19100S	Inner Slide w/Straight Latch 16K
P34021	Inner Slide Latch & Guide Replacement 2in A-60
P34064	Outer Case Weld Mount A-60T
P34088	Primed Outer Case A-60T
P34375	Plated Outer Case Mount A-60S
P35693	Outer Housing Bolt-On A60
P36110	Outer Case Mount A-60SXL
P40501	Top Tongue Swing Plate
P40504	Swing Tongue Pivot Box 4in
P40510	Shim Straight w/Tube
P47131	Straight Outer Case w/Box A-60XL
P47720	Slide Assembly 2in A-75

Latches, Coupler Repair & Cables

Item Number	Description	SO
P34355	Break-Away Cable Clip	
P34380	Cable Attachment Plate	
P34422	Break-Away Cable Assembly	
P34489	Break-Away Cable Assembly	Yes
P36360	Latch Handle Actuator A-60	
P36369	Latch Handle Actuator A-70	
P40110	Hitch Pin Kit A-84/A-160	
P40120	Latch Handle Kit A-84/A-160	



P34355



P34380



P34422



P36369



P40110

Master Cylinders, Caps, & Gaskets

A: Size

Item Number	Description	A
P32275	Inverted Banjo Fittings DB-35/DB-42	3/16in
P32286	Master Cylinder Reservoir Plug	----
P32288	Reservoir Diaphragm	----
P32307	Bolt For Banjo DB35/DB42	3/16in
P32547	Plastic Outer Cap	----
P32570	Mini Barb Fitting	10x32
P33061	Hydraulic Drum Disc Bleeder Screw	----
P34359	Brake Lock-Out Kit A-60	----
P34762	Master Cylinder Disc w/Return Line	----



P32275



P32286



P34359



P32288



Actuators & Components UFP Actuators Components Pins, Bolts, Nuts, Washers

A: Diameter B: Length



P30009



P32262



P34545

Item Number	Description	A	B
P20526	Slider Pin Sleeve	----	----
P20527	Slider Pin Boot	----	----
P30009	Bolt Grade 8	5/8-11in	5in
P32230	Copper Washer	----	----
P32262	Retaining Ring Extension	----	----
P32291	Bolt	3/8-16in	7/8in
P32409	Bolt	7/16in	----
P32410	Locking Washer	7/16in	----
P32411	Nut	7/16in	----
P32546	Safety Release Bracket Spring	----	----
P32554	Roller Pin Washer	----	----
P32793	Bolt Grade 5	5/8-11in	1-1/4in
P33020	Bolt	5/16-18in	2-3/4in
P33079	Allen Head Caliper Mount Bolt	7/16-20in	1in
P33186	Locking Nut	5/8-11in	----
P33208	Bolt Grade 5	7/8-14in	5-1/2in
P34545	Hitch Pin Kit A-60	----	----
P34608	Hitch Pin Kit A-75	----	----

Push Rods, Shocks & Rollers



P32306



P34079



P34378



P34376



P34371

Item Number	Description	SO
P32306	Shock Absorber Actuator	----
P32310	Roller Rear	Yes
P34079	Pin Roller	----
P34371	Front Roller	----
P34376	Rear Roller	----
P34378	Push Rod Release Bracket	----
P35112	Push Rod Assembly A-60	----
P35114	Push Rod Disc w/Boot	----

Springs, Brackets, Covers & Wear Slides



P32260



P32263



P32592

Item Number	Description
P32260	Wear Pad Thin Sides
P32263	Wear Pad Thick Top/Bottom
P32592	Wear Pad Top Front
P33030	Bushing Slider Pin DB-42
P47710	Wear Pad Top A-75



Notes:

Couplers, Actuators & Components