



Trailer Electrical & Components



Trailer Electrical Components

- Trailer Plugs
- Wire
- Backup Alarms
- Batteries, Chargers & Boxes
- Brake Controls
- Break-Away Systems
- Break-Away Switches
- Lights

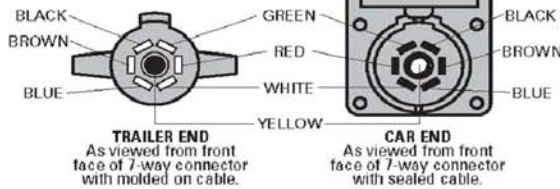


Trailer Plugs How To Wire Trailer Plugs

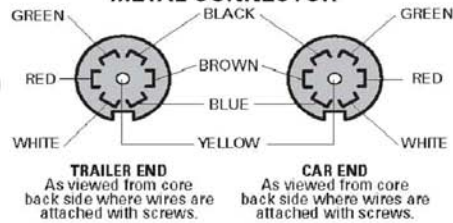
TECHNICAL SECTION

7-WAY CONNECTOR WIRING DIAGRAM

7-WAY MOLDED TRAILER/ SEALED CAR CONNECTOR & CABLE



7-WAY THERMO-PLASTIC/ METAL CONNECTOR

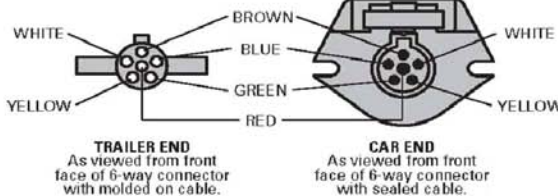


7 - WAY WIRING INDEX

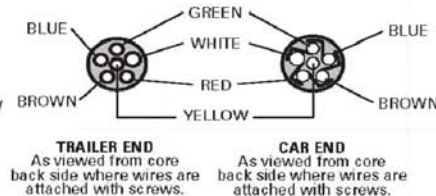
Wire Color & Gauge	Molded Trailer/Sealed Car Connector Terminal	Thermo-Plastic/Metal Connector Terminal
White / 10 gauge	Common Ground	#1 Common Ground
Blue / 12 gauge	Electric Brake	#2 Electric Brake
Green / 14 gauge	Tail & License	#3 Tail & License
Black / 10 gauge	Battery Charge	#4 Battery Charge
Red / 14 gauge	Left Stop & Turn	#5 Left Stop & Turn
Brown / 14 gauge	Right Stop & Turn	#6 Right Stop & Turn
Yellow / 14 gauge	Center Auxiliary	#7 Center Auxiliary

6-WAY CONNECTOR WIRING DIAGRAM

6-WAY MOLDED TRAILER/ SEALED CAR CONNECTOR & CABLE



6-WAY ZINC DIE-CAST CONNECTOR

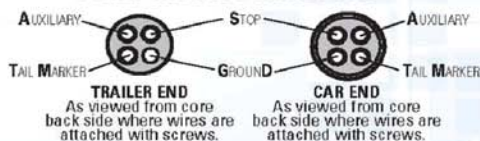


6 - WAY WIRING INDEX

Wire Color & Gauge	Molded Trailer/Sealed Car Connector Terminal	Zinc Die-Cast Connector Terminal
White / 10/14 gauge	Common Ground	GD - Common Ground
Blue / 10/14 gauge	Electric Brake	S - Electric Brake
Green / 14 gauge	Right Stop & Turn	TM - Tail & License
Red / 10/14 gauge	Auxiliary	LT - Left Stop & Turn
Brown / 14 gauge	Tail & License	RT - Right Stop & Turn
Yellow / 14 gauge	Left Stop & Turn	A - Auxiliary

4-WAY CONNECTOR WIRING DIAGRAM

4-WAY METAL CONNECTOR



4-WAY FLAT CONNECTOR



Technical information is current as of the printing of this catalog. Contact Technical Service for periodic updates.



Trailer Plugs 4 Way Plugs

A: Length

Item Number	Description	SO	A	B
11-402	4-Way Plug Cast Metal		----	Pollak
11-403	4-Way Plug Cast Metal w/Guard		----	Pollak
11-409	4-Way Plug Chrome		----	Pollak
11-409V	4-Way Plug	Yes	----	Pollak
118004	4-Way Connect Trailer End		12in	Cequent
118004-1	4-Flat Trailer End		12in	Cequent
118009	4-Way Flat Wiring/Harness		21ft	Cequent
118033	4-Flat Trailer End		48in	Cequent
118033-1	4-Flat Trailer End		48in	Cequent
20103	4-Way Flat LED Trailer Connect		12in	Cequent
20104	4-Way Flat LED Trailer Connect		48in	Cequent
CU58030	4-Flat Trailer End		12in	Curt
TT4WP	4-Way Flat Male Plug		48in	Tuff-Tow



5 Way Plugs

A: Length

Item Number	Description	A	B
11-501	5-Way Chrome Plug	----	Pollak
118017	5-Flat Trailer End Wiring	48in	Cequent
2409WB	5-Way Wire Plug	----	Cequent
W7283	5-Way Trailer End	4ft	Cequent



6 Way Plugs



A: Length

Item Number	Description	SO	A	B
11-604EP	6-Way Plug Cast Metal		----	Pollak
11-605	6-Way Plug Cast Metal w/Spring		----	Pollak
11-613	6-Way Plug	Yes	----	Pollak
118037	6-Way Round Pin Connector		----	Cequent
118861	6-Way Connector		8ft	Cequent
CUI-8P	6-Way Die Cast Connector		----	Curt
TT604P	6 Way Rd Pin Plug		----	Tuff-Tow



Trailer Plugs 7 Way Plugs



A: Length

Item Number	Description	SO	A	B
11-700	7-Way Plug Cast Metal		---	Pollak
11-702EP	7-Way Plug Cast Metal w/Guard		---	Pollak
11-704	7-Way Nylon Plug		---	Pollak
118021	7-Way Flat Pin Connector		---	Cequent
118031	7-Way Chrome Plug		---	Cequent
118863	7-Way Trailer Wiring		8ft	Cequent
12-702	7-Way Zinc Plug		---	Pollak
12-706	7-Way Nylon Plug		---	Pollak
14-117	7-Way Cable		8ft	Pollak
50-57-007	7-Way Plug Metal	Yes	---	Cequent
50-67-001	7-Way Cord Molded End Plug		6ft	Cequent
5067907	7-Way Connector		3ft	Cequent
50-77-003	7-Way Plastic Plug		---	Cequent
71-100	7-Way Plastic RV Plug		---	Tuff-Tow
CUI-1415KP	7-Way Pole Connector		---	Curt
CUI-14P	7-Way Plastic Connector		---	Curt
H48500	7-Way Endurance Plug	Yes	---	Hopkins
TT706P	7-Way Flat Pin Plug		---	Tuff-Tow
W2478	7-Way Power Cord Trailer End		8ft	Cequent

9 Way Plugs

Item Number	Description	A
12-906	9-Way Trailer End Plastic Plug	Pollak



Plug Parts & Accessories

A: Length



Item Number	Description	A
11-626P	6-Way Hardware Kit	Pollak
11-763	Cable Guard Plated	Pollak
18152	Trailer Plug Holder	Cequent



Trailer Electrical & Components



Trailer Plugs Plug Parts & Accessories

See Vehicle Electrical Section For Sockets.



Trailer: Electrical & Components



Wire Jacketed



B1102C



B1122X



B1142C



B2045C



B9414C



B9616C



B9714C

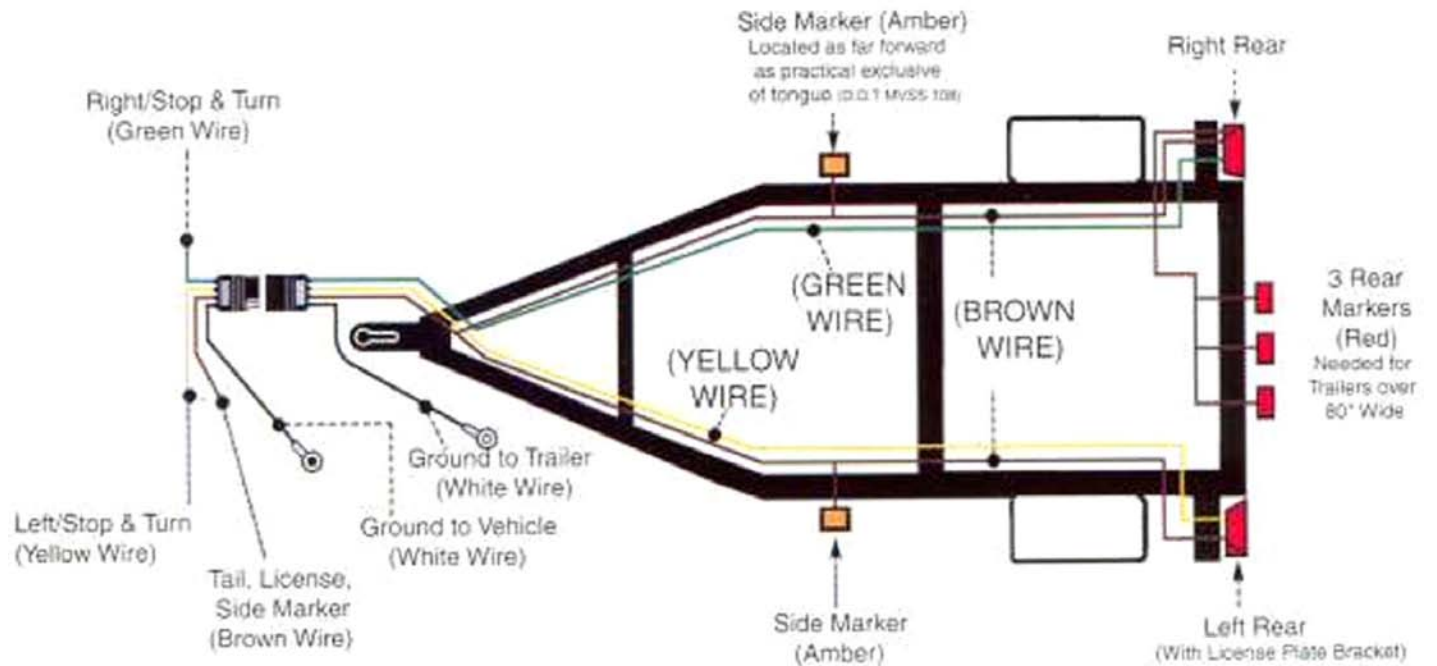


B9710C

A: Length B: Gauge

Item Number	Description	Color	SO	A	B
04064	14/2 Multi-Conductor CBL Tinned	Red/Blk	Yes	500ft	14ga
04065	14/2 Multi-Conductor CBL Tinned	Red/Blk	Yes	500ft	16ga
B1102C	10/2 Jacketed Wire 03221	Blk/Wh		100ft	10ga
B1122C	12/2 Jacketed Wire 03251	Blk/Blu		100ft	12ga
B1122X	12/2 Jacketed Wire 03252	Blk/Blu		500ft	12ga
B1142C	14/2 Jacketed Wire 03206	Blk/Wh		100ft	14ga
B2045C	Starter Wire 04608	Red		100ft	4ga
B2047C	C Starter Wire 04609	Black		100ft	4ga
B9414C	14/4 Jacketed Wire 04928	Gr/Wh/Ye/Blk		100ft	14ga
B9414X	14/4 Jacketed Wire 04929	Wh/Brn/Ye/Gr	Yes	500ft	14ga
B9416C	16/4 Jacketed Wire 04919	Brn/Ye/Rd/Gr		100ft	16ga
B9614C	14/6 Jacketed Wire 04906	Rd/Ye/Blk/Blu/Wh/Brn/Gr		100ft	14ga
B9614X	14/6 Jacketed Wire 04907	Rd/Ye/Blk/Blu/Wh/Brn/Gr		500ft	14ga
B9616C	16/6 Jacketed Wire 04902	Ye/Rd/Gr/Blk/Blu/Wh		100ft	16ga
B9700C	7-Way Cable Wire	Wh/Rd/Blk/Brn/Gr/Ye/Blu		100ft	1-10/6-12ga
B9710C	7-Way Cable Wire	Ye/Gr/Rd/Wh/Blu/Blk/Brn		100ft	2-10/1-12/4-14ga
B9712C	7-Way Cable Wire	Ye/Rd/Brn/Gr/Blk/Blu/Wh		100ft	1-12/6-14ga
B9712L	7-Way Wire Cable	---	Yes	250ft	1-12/6-14ga
B9712X	7-Way Wire Cable	---	Yes	500ft	1-12/6-14ga
B9714C	14/7 Jacketed Wire 04908	Rd/Ye/Blu/Gr/Blk/Wh/Brn		100ft	14ga
B9714X	14/7 Jacketed Wire 04909	Rd/Ye/Blu/Gr/Blk/Wh/Brn		500ft	14ga

Trailer: Electrical & Components





Wire Primary

A: Length B: Gauge

Item Number	Description	Color	SO	A	B
02551	Primary Wire	White	Yes	100ft	8ga
BBK10C	Primary Wire 02510	Black		100ft	10ga
BBK10X	Primary Wire 02524	Black		500ft	10ga
BBK12C	Primary Wire 02460	Black		100ft	12ga
BBK12X	Primary Wire 02474	Black		500ft	12ga
BBK14C	Primary Wire 02410	Black		100ft	14ga
BBK14X	Primary Wire 02424	Black		500ft	14ga
BBK16C	Primary Wire 02360	Black		100ft	16ga
BBK16X	Primary Wire 02374	Black		500ft	16ga
BBK8C	Primary Wire 02552	Black		100ft	8ga
BBL10C	Primary Wire 02514	Blue		100ft	10ga
BBL12C	Primary Wire 02464	Blue		100ft	12ga
BBL12X	Primary Wire 02478	Blue		500ft	12ga
BBL14C	Primary Wire 02414	Blue		100ft	14ga
BBL14X	Primary Wire 02428	Blue		500ft	14ga
BBL16C	Primary Wire 02364	Blue		100ft	16ga
BBL16X	Primary Wire 02378	Blue		500ft	16ga
BBR14C	Primary Wire 02413	Brown		100ft	14ga
BBR14X	Primary Wire 02427	Brown		500ft	14ga
BBR16C	Primary Wire 02363	Brown		100ft	16ga
BBR16X	Primary Wire 02377	Brown		500ft	16ga
BGR14C	Primary Wire 02411	Green		100ft	14ga
BGR14X	Primary Wire 02425	Green		500ft	14ga
BGR16C	Primary Wire 02361	Green		100ft	16ga
BGR16X	Primary Wire 02375	Green		500ft	16ga
BR10C	Primary Wire 02508	Red		100ft	10ga
BR10X	Primary Wire 02522	Red		500ft	10ga
BR12C	Primary Wire 02458	Red		100ft	12ga
BR12X	Primary Wire 02472	Red		500ft	12ga
BR14C	Primary Wire 02408	Red		100ft	14ga
BR14X	Primary Wire 02422	Red		500ft	14ga
BR16C	Primary Wire 02358	Red		100ft	16ga
BR16X	Primary Wire 02372	Red		500ft	16ga
BR18M	Primary Wire 02336	Red		100ft	18ga
BR8C	Primary Wire 02550	Red		100ft	8ga
BR8X	Primary Wire 02554	Red		500ft	8ga
BTN16C	Primary Wire 02370	Tan	Yes	100ft	16ga
BTN16X	Primary Wire 02384	Tan	Yes	500ft	16ga
BW10C	Primary Wire 02509	White		100ft	10ga
BW10X	Primary Wire 02523	White		500ft	10ga
BW12C	Primary Wire 02459	White		100ft	12ga
BW12X	Primary Wire 02473	White		500ft	12ga
BW14C	Primary Wire 02409	White		100ft	14ga
BW14X	Primary Wire 02423	White		500ft	14ga
BW16C	Primary Wire 02359	White		100ft	16ga
BW16X	Primary Wire 02373	White		500ft	16ga
BY14C	Primary Wire 02412	Yellow		100ft	14ga
BY14X	Primary Wire 02426	Yellow		500ft	14ga
BY16C	Primary Wire 02362	Yellow		100ft	16ga
BY16X	Primary Wire 02376	Yellow		500ft	16ga



BBK10C



BBK14X



BBL10C



BBL14X



BBR14C



BBR16X



BGR14C



BGR14X



BR10C



BR10X



BW10C



BW14X



BY14C



BY14X

Trailer: Electrical & Components



Wire Primary

Primary Wire Selection Chart

Total Circuit Amperes (12 V)	Total Circuit Watts (12V)	Wire gage (Length in Feet)											
		3'	5'	10'	15'	20'	25'	30'	35'	40'	50'	75'	100'
1	12	18	18	18	18	18	18	18	18	18	18	18	18
2	24	18	18	18	18	18	18	18	18	18	18	18	16
3	36	18	18	18	18	18	18	18	18	18	18	16	14
4	48	18	18	18	18	18	18	18	18	18	16	14	14
5	60	18	18	18	18	18	18	18	16	16	16	14	12
6	72	18	18	18	18	18	18	16	16	16	14	12	12
7	84	18	18	18	18	18	16	16	16	14	14	12	10
8	96	18	18	18	18	18	16	16	14	14	14	12	10
10	120	18	18	18	18	16	16	14	14	14	12	10	10
11	132	18	18	18	18	16	14	14	14	12	12	10	8
12	144	18	18	18	16	16	14	14	12	12	12	10	8
15	180	16	16	16	16	14	14	12	12	12	10	8	8
18	216	16	16	16	14	14	12	12	12	10	10	8	NR
20	240	16	16	16	14	14	12	12	10	10	10	8	NR
22	264	16	16	16	14	12	12	10	10	10	8	8	NR
24	288	16	16	16	14	12	12	10	10	10	8	NR	NR
30	360	14	14	14	12	12	10	10	8	8	8	NR	NR
36	432	12	12	12	12	10	10	8	8	8	NR	NR	NR
50	600	10	10	10	10	10	8	8	NR	NR	NR	NR	NR
60	720	8	8	8	8	8	8	NR	NR	NR	NR	NR	NR
70	840	8	8	8	8	8	NR	NR	NR	NR	NR	NR	NR

Chart is based on a maximum 10% VD @ 149° F in free air.

For 6 volt systems multiply the total amperes by 0.5, or by 2 for 24 volt systems and then select the wire length.

To be safe, always select one wire size larger than you need for the specified wire length at the required current level.

How to use above chart

1. Measure total length of wire in circuit. Chart includes ground return.
2. Find total circuit amperes or watts and choose nearest value in proper column.
3. Move horizontally to proper footage column and select nearest gage.



Wire Ribbon

A: Length B: Gauge

Item Number	Description	Color	SO	A	B	C
02917	Wire BND Parallel	Wh/Brn/Ye/Gr	Yes	16/4	1000ft	Deka
B10143C	14/3 Ribbon Wire 02903	Ye/Gr/Brn		100ft	14ga	Deka
B10143X	14/3 Ribbon Wire 02904	Ye/Gr/Br		500ft	14ga	Deka
B10144C	14/4 Ribbon Wire 02906	Ye/Gr/Brn/Wh		100ft	14ga	Deka
B10144X	14/4 Ribbon Wire 02907	Ye/Gr/Brn/Wh		500ft	14ga	Deka
B10162X	16/2 Ribbon Wire 02910	Red/Black		500ft	16ga	Deka
B10163C	16/3 Ribbon Wire 02912	Ye/Gr/Brn		100ft	16ga	Deka
B10163X	16/3 Ribbon Wire 02913	Ye/Gr/Brn		500ft	16ga	Deka
B10164C	16/4 Ribbon Wire 02915	Ye/Gr/Brn/Wh		100ft	16ga	Deka
B10164X	16/4 Ribbon Wire 02916	Ye/Gr/Brn/Wh		500ft	16ga	Deka
BGB10162X	Ribbon Wire 02931	Gr/Brn		500ft	16ga	Deka
BYB10162X	Ribbon Wire 02928	Brown		500ft	16ga	Deka



BGB10162X



BYB10162X



B10143C



B10144X



B10162X

Racks & Wire Loom

A: Length B: Diameter

Item Number	Description	Color	SO	A	B	C
08772	4 Rod Wire Rack 26-1/8Wx6in	---	Yes	---	---	Deka
B250	Splitloom Wire	Black		100ft	1/4in	Haines
B375	Splitloom Wire	Black		100ft	3/8in	Haines
B500	Splitloom Wire	Black		100ft	1/2in	Haines



B375



B500

A: Length



B12NCC
B14NCC

18164-020

BET



B1804 - B1814

Item Number	Description	Color	SO	A	B	Extra Info
05732	Connector 12-10 GA Nylon Butt		Yes	---		Deka
18164-020	Shrink Tube	Black		1/4 x 8in		Cequent
B12NCC	Nylon Cable Clamp 100pk	Black		1/2in		Tuff-Tow
B14NCC	Nylon Cable Clamp 100pk	Black		1/4in		Tuff-Tow
B1804	Zip Tie	Black		4in		Haines 100pk
B1808	Zip Tie	Black		8in		Haines 100pk
B1811	Zip Tie	Black		11in		Haines 100pk
B1814	Zip Tie	Black		14in		Haines 100pk



Notes:



Wire Terminals & Connectors



A: Diameter **B:** Gauge

Item Number	Description	Extra Info	Color	SO	A	B	C
05730	Nylon Butt Connector	100PK	----	Yes	----	18-22ga	Deka
B05328	Wire Lug	50PK	Copper		5/16in	4ga	Deka
B05331	Wire Lug	50PK	Copper		3/8in	1ga	Deka
B05335	Wire Lug	50PK	Copper		3/8in	20ga	Deka
B1414	Wire Eyelet	100PK	Yellow		#10	10-12ga	Haines
B1415	Wire Eyelet	100PK	Yellow		1/4in	10-12ga	Haines
B1416	Wire Eyelet	100PK	Yellow		5/16in	10-12ga	Haines
B1417	Wire Eyelet	100PK	Yellow		3/8in	10-12ga	Haines
B1424	Wire Eyelet	100PK	Blue		#10	14ga	Haines
B1425	Wire Eyelet	100PK	Blue		1/4in	14-16in	Haines
B1426	Wire Eyelet	100PK	Blue		5/16in	14-16in	Haines
B1427	Wire Eyelet	100PK	Blue		3/8in	14-16in	Haines
B1453	Wire Eyelet	50PK	Red		5/16in	8ga	Tuff-Tow
B1472	Wire Fork Connect	100PK	Blue		----	14-16ga	Haines
B1530	Wire Butt Connector	100PK	Yellow		----	10-12ga	Haines
B1540	Wire Butt Connector	100PK	Blue		----	14-16ga	Haines
B1550	Wire Butt Connector	100PK	Red		----	18-22ga	Haines
B1560	Wire Bullet Male Connector	100PK	Blue		----	14-16ga	Haines
B1590	Wire Bullet Female Connector	100PK	Blue		----	14-16ga	Haines
B1734	Quick Wire Male Connector	100PK	Blue		----	14-16ga	Haines
B1735	Quick Wire Male Connector	100PK	Yellow		----	10-12ga	Haines
B1736	Quick Wire Female Connector	100PK	Blue		----	14-16ga	Haines
B1737	Quick Wire Female Connector	100PK	Yellow		----	10-12ga	Haines
B72F	Quick Connect Wire Insulate	100PK	Clear		----	14-16ga	Haines
B72M	Quick Connect Wire Insulate	100PK	Clear		----	14-16ga	Haines
B9013M	Wire Tap Female Connector	100PK Splice	Black		----	14-16ga	Tuff-Tow
B908045	Long Wire Bullet Male Connector	100PK	Light Blue		----	14-16ga	Tuff-Tow
B952	Wire Tap Female Connector	100PK Splice	Blue		----	14-16ga	Haines
BBS-N	Wire Butt Connector	100PK Splice	Clear Blue		----	14-16ga	Haines
BBTS	Wire Scotch Lock	100PK Splice	Blue		----	16-14ga	Haines
BRTS	Wire Scotch Lock	100PK Splice	Red		----	18-22ga	Haines
BWTS	Wire Scotch Lock	500PK Splice	Off White		----	14-16ga	Haines
BWTS3M	Wire Scotch Lock	500PK	White		----	14-16ga	Tuff-Tow
BYTS	Wire Scotch Lock	100PK	Yellow		----	10-12ga	Haines



Wire Trailer Harness



A: Length B: Gauge

Item Number	Description	Color	SO	A	B	C
118192	4-Flat Wire Harness	Brn/Wh/Gr/Ye		25ft	18ga	Cequent
118215	5-Flat Wire Harness	Brn/Wh/Gr/Ye/Blu		60ft	18ga	Cequent
B5425Y	4-Way Wire Harness	Brn/Wh/Gr/Ye		25ft	18ga	Peterson
MSB3420Y	4-Way Split Wire Harness	Brn/Wh/Gr/Ye		25ft	18ga	Tuff-Tow
V5425Y	4-Way Split Wire Harness	Brn/Wh/Gr/Ye		25ft	18ga	Peterson
W2275	5-Way Wish Bone Harness	----	Yes	25ft	----	Cequent
W2280	5-Way Wish Bone Harness	----	Yes	30ft	----	Cequent

Backup Alarms

Item Number	Description	A	B
786-102	Alarm Back up 102db	----	Peterson
786-97	Alarm Back up 97db	----	Peterson
BA0972	Mini Backup Beeper 97dec	12V	Buyers



Batteries, Chargers & Boxes



A: Length B: Width C: Height

Item Number	Description	Extra Info	Color	SO	A	B	C	D
1242	Gel Battery 12V		Black		4in	2-3/4in	3-1/2in	Tuff-Tow
19-0740	Battery Box 24SER		Black		11in	6-3/4in	8in	Deka
19-0745	Battery Box 27/31SER		Black		13-5/8in	7in	8in	Deka
5509DT	Battery Charger Replacement		----	Yes	----	----	----	Cequent
926	Sealed Lantern Battery 12V		Black		4-57/64in	2-57/67in	5-25/64in	Tuff-Tow
B1888	Universal Terminal	Varies	Lead		----	----	----	Deka
TA949	Breakaway Battery Box w/Hardware		Black		7in	3-1/4in	5in	Hopkins
TA950	Gel Battery Charger 20011		Black		----	----	----	Hopkins
TA950V	Breakaway Gel Battery Charger		Black		----	----	----	Hopkins
TK1024	Accel Battery Charging Device		Black		----	----	----	Cequent
TK20000	Lockable Break-Away Box		Black		6-3/8in	4in	5-1/2in	Cequent
TK2018	Gel Battery Box w/Post Mount Bracket		Black		5.5in	3.5in	5in	Cequent
TK2024	Trickle Battery Charger		Black		----	----	----	Cequent
TK2051	Battery Box w/Molded Mount Bracket		Black		7-3/4in	4in	6in	Cequent
TK3194-S	Battery Side Post Adapter 2PK		----		----	----	----	Cequent



TK90250



Brake Controls

Item Number	Description	Extra Info	SO	A
AB-800	Air/Hyd Booster	Output 800	Yes	Tuff-Tow
NT10006BK	Nylon Braided Air Line	3/8in	Yes	Tuff-Tow
TA-7221	Tandem Trailer Air Tank Kit	1 ABS Axle	Yes	Tuff-Tow
TA-8121	Axle Trailer Air Tank Kit	1 ABS Axle	Yes	Tuff-Tow
TK90250	Prodigy RF Electronic Brake Control	2-6 Brakes		Cequent

Break-Away Systems



4822100



86172



H20100



TA946



TA954



TK1028



TK20020



TK2028

Item Number	Description	Extra Info	SO	A
20048	Break-Away Kit for Trailers	----		Cequent
4822100	Break-Away Elec/Hyd 10amp	Varies		Tuff-Tow
86172	Break-Away Kit w/LED Battery Charger	Top-Load		Tuff-Tow
H20100	Break-Away System w/LED Battery Meter	Side-Mount		Hopkins
H20106	Replacement Door for 20100	Square	Yes	Hopkins
TA946	Break-Away Kit 20002	No Charger		Hopkins
TA947	Break-Away Kit 20001	w/Charger/Hardware		Hopkins
TA954	Break-Away Kit 20004	w/Charger		Hopkins
TK1028	Break-Away Kit	4amp HR Charger		Cequent
TK20020	Break-Away Kit Weld-On	w/Charger		Cequent
TK2028	Break-Away Kit	5amp HR Charger		Cequent

Break-Away Switches



54-85-002



TA948



TA952S



TK2009-A-S



TK2010-A-S



TK2010-S



TK2014

Item Number	Description	Extra Info	SO	A
2005	Break-Away Switch	----		Cequent
54-85-002	Break-Away Cable & Pin	48in		Bargman
FW80-00-2040	Zip Break-Away Cable & Switch	4ft		Tuff-Tow
FW80-00-2060	Zip Break-Away Cable & Switch	6ft	Yes	Tuff-Tow
FW80-01-2140	Cable Break-Away 4ft Zip	----		Tuff-Tow
FW80-01-2160	Zip Break-Away Cable Universal	6ft	Yes	Tuff-Tow
TA948	Break-Sway Switch 20010	Bulk		Hopkins
TA948V	Break-Away Switch 20005	Viz Pk		Hopkins
TA952S	Break-Away Cable/Short Pin 20051	----		Hopkins
TK2009-A-S	Replacement Cable & Brass Pin	----		Cequent
TK2009-S	Break-Away Switch Metal 2009-P	----		Cequent
TK2010-A	Replacement Cable & Pin	----		Cequent
TK2010-A-S	Replacement Cable & Nylon Pin	----		Cequent
TK2010-S	Break-Away Switch Nylon 2010-P	----		Cequent
TK2014	Break-Away Switch Long Lead	----		Cequent
TTBS1	Break-Away Switch w/Pin & Cable	----		Tuff-Tow



Trailer Electrical & Components



Lights LED Stop & Brake



A: Size B: Diode Qty. C: Mount Type D: MFG

Item Number	Description	Extra Info	Color	SO	A	B	C	D
24423R-4	LED Stop/Tail Light	----	Red	----	----	----	Surface	Peterson
4222	LED Stop/Tail Light	Mfg Pk	Clear/Red	Yes	6-1/2x2-1/4in	22	Grommet	Peterson
47-07-001	LED Stop/Tail/Turn Light	----	Red	Yes	----	----	Surface	Cequent
47-07-002	LED Stop/Tail/Turn Light	----	Red	Yes	----	----	Surface	Cequent
47-84-527	LED Tail Light Lens	----	Red	Yes	----	----	Recessed	Cequent
47-84-610	LED Stop/Tail/Turn Light	----	Red	Yes	----	----	Surface	Cequent
CPL100	LED Trailer Light RH	----	----	Yes	----	----	2 Stud	Custer
CPL100L	LED Trailer Light LH	----	----	Yes	----	----	2 Stud	Custer
CPL4CA	LED Round Light	----	Amber/Clear	Yes	4in	----	Grommet	Custer
CPL4CR	LED Round Light	----	Red/Clear	Yes	4in	----	Grommet	Custer
CPL4R10-FB	LED Round Stop/Tail Light	Bulk	Red/Chr	----	4in	10	Surface	Custer
CPL62	LED Tail/License/Backup Light	----	Red	Yes	----	----	3 Stud	Custer
CPL62L	LED Tail/License/Backup Light	----	Red	Yes	----	----	3 Stud	Custer
CPL63	LED Tail/License/Backup Light w/Side Marker	----	Red	Yes	----	----	3 Stud	Custer
CPL63L	LED Tail/License/Backup Light w/Side Marker	----	Red	Yes	----	----	3 Stud	Custer
CPL65A-10	LED Oval Light	----	Amber	Yes	6-1/2x2-1/4in	10	Grommet	Custer
CPL65R-10	LED Oval Light	Bulk	Red	----	6-1/2x2-7/32in	10	Grommet	Custer
CPL65R10-FB	LED Oval Surface Mt Light	Bulk	Red	----	6-1/2x2-7/32in	10	Surface	Custer
CPL83	LED Rectangular Submersible RH Tail Light	----	----	Yes	7-15/16in	----	2 Stud	Custer
CPL83L	LED Tail LH Submersible w/Lic	----	----	Yes	7-15/16in	----	2 Stud	Custer
M417R-2	LED Round Stop/Turn/Tail Light	Bulk	Red	----	4-1/4in	10	Grommet	Peterson
M417R-3	LED Round Stop/Turn/Tail Light	Poly Pk	Red	----	4-1/4in	7	Grommet	Peterson
M417R-5P	LED Stop/Turn/Tail Light	Bulk	Red	----	4-1/4in	8	Grommet	Peterson
M418R-2	LED Stop/Turn/Tail Light	Bulk	Red	----	4-1/4in	10	Flange	Peterson
M418R-3	LED Round Stop/Turn/Tail Light	Bulk	Red	----	4-1/4in	7	Flange	Peterson
M420R-2	LED Stop/Turn/Tail Light	Bulk	Red	----	6-1/2x2-1/4	10	Grommet	Peterson
M420R-5P	LED Stop/Turn/Tail Light	Bulk	Red	----	6-1/2x2-1/4in	8	Grommet	Peterson
M840	LED Under80 Wide Combo Light	Bulk	Red	----	5-1/32x4-23/32in	10	2 Stud	Peterson
M840L	LED Under80 Wide Combo Light	Bulk	Red	----	5-1/32x4-23/32in	10	2 Stud	Peterson
V417KR-3	LED Round Stop/Tail Light Kit	Viz Pk	Red	----	4-1/4in	7	Grommet	Peterson
V418KR-3	LED Round Tail Light w/Flange	Viz Pk	Red	----	4-1/4in	7	Flange	Peterson
V420KR	LED Oval Stop/Turn/Tail Light	Viz Pk	Red	----	6-1/2x2-1/4in	22	Grommet	Peterson
V420KR-2	LED Oval Stop/Tail Light Kit	Viz Pk	Red	----	6-1/2x2-1/4in	10	Grommet	Peterson
V420KR-3	LED Oval Stop/Tail Light Kit	Viz Pk	Red	----	6-1/2x2-1/4in	7	Grommet	Peterson
V423KR-2	LED Surface Mt Light w/Flange	Viz Pk	Red	----	7-7/8x3-5/8in	10	Flange	Peterson
V423XR-4	LED Oval Surface Mt Light Kit	Viz Pk	Red	----	7x3-1/4in	10	Flange	Peterson
V840	LED Under80 Wide Combo Light	Viz Pk	Red	----	5-1/32x4-23/32in	10	2 Stud	Peterson
V840L	LED Under80 Wide Combo Light	Viz Pk	Red	----	5-1/32x4-23/32in	10	2 Stud	Peterson
V856	LED Over80 Wide Combo Light	Viz Pk	Red	----	7-15/16x2-7/8in	9	2 Stud	Peterson
V856L	LED Light Over80 Wide Combo	Viz Pk	Red	----	7-15/16x2-7/8in	9	2 Stud	Peterson
W271594	LED 7- Function Tail Light Right	Bulk	Red	Yes	----	----	2 Stud	Cequent
W271595	LED 8-Function Tail Light Left	Bulk	Red	Yes	----	----	2 Stud	Cequent
W407530	LED Low Profile 7-Function Tail Light Waterproof	----	Red	----	----	----	2 Stud	Cequent

Trailer: Electrical & Components



LED Clearance & Side Marker Lights



A: Size B: Diode Qty. C: Mount Type

Item Number	Description	Extra Info	Color	SO	A	B	C
188A	LED Clearance Light	Poly Pk	Amber		6x1-7/16in	4	Ear Mt
188R	LED Clearance Light	Poly Pk	Red		6x1-7/16in	4	Ear Mt
CP120A	LED Marker Light Lens	----	Amber	Yes	2x4in	----	Surface
CP120R	LED Marker Light Lens	----	Red	Yes	2x4in	----	Surface
CPL120A	LED Side Marker Light	----	Amber	Yes	4in	----	Surface
CPL120R	LED Side Marker Light	----	Red	Yes	4in	----	Surface
CPL27R	LED Clearance Light	Bulk Pk	Red	Yes	3-1/4x1in	3	Ear Mt
CPL2CA	LED Light	----	Clr/Amb	Yes	2in	----	Grommet
CPL2CR	LED Light	----	Clr/Red	Yes	2in	----	Grommet
M161A	LED Side Marker Light	Bulk Pk	Amber		3-13/16x1-1/4in	3	Bracket
M161R	LED Side Marker Light	Bulk Pk	Red		3-13/16x1-1/4in	3	Bracket
M167A	LED Thin Line Light	Bulk Pk	Amber		3-1/2in	----	Ear Mt
M167R	LED Thin Line Light	Bulk Pk	Red		3-1/2x1in	3	Ear Mt
M170A	LED Clearance Light w/Reflex	Bulk Pk	Amber		3-1/8in	2	Grommet
M170R	LED Clearance Light w/Reflex	Bulk Pk	Red		3-1/8x2in	2	Grommet
M171A	LED Clearance Light	Mfg Pk	Amber		3/4in	1	Grommet
M171R	LED Round Light Single 12V	Bulk Pk	Red		3/4in	1	Grommet
M172A	LED Clearance Light	Bulk Pk	Amber		2-1/2in	3	Grommet
M172R	LED Clearance Light	Bulk Pk	Red		2-1/2in	3	Grommet
M173A	LED Round Light	Bulk Pk	Amber		2-1/2in	4	Grommet
M173R	LED Round Light	Bulk Pk	Red		2-1/2in	4	Grommet
M174A	LED Sealed Light	Bulk Pk	Amber		2in	3	Grommet
M174R	LED Round Sealed Light	Bulk Pk	Red		2in	3	Grommet
V129KA	LED Clearance Light	Viz Pk	Amber		3x1-15/16in	2	Grommet
V129KR	LED Clearance Light	Viz Pk	Red		3x1-15/16in	2	Grommet
V153KA	LED Clearance Light Kit	Viz Pk	Amber		2-7/8x1/4in	2	Bracket
V153KR	LED Clearance Light Kit	Viz Pk	Red		2-7/8x1/4in	2	Bracket
V160KA	LED Thin Line Light	Viz Pk	Amber		4-17/32x1-3/64in	3	Ear Mt
V160KR	LED Thin Line Light	Viz Pk	Red		4-17/32x1-3/64in	3	Ear Mt
V161KA	LED Thin Line Light Kit	Viz Pk	Amber		3-13/16x1-1/4in	3	Bracket
V161KR	LED Clearance Light Kit	Viz Pk	Red		3-13/16x1-1/4in	3	Bracket
V162KA	LED Clearance Light Kit	Viz Pk	Amber		2-1/2in	3	Grommet
V162KR	LED Clearance Light Kit	Viz Pk	Red		2-1/2in	3	Grommet
V164KA	LED Clearance Light Kit	Viz Pk	Amber		2in	3	Grommet
V164KR	LED Clearance Light Kit	Viz Pk	Red		2in	3	Grommet
V167KA	LED Thin Clearance Light Kit	Viz Pk	Amber		3-1/2x1in	3	Ear Mt
V167KR	LED Thin Clearance Light Kit	Viz Pk	Red		3-1/2x1in	3	Ear Mt
V168XA	LED Clearance Light Kit	Viz Pk	Amber		3-15/16x1-11/32in	2	Surface
V168XR	LED Side Marker Light Kit	Viz Pk	Red		3-15/16x1-11/32in	2	Surface
V169KA	LED Clearance Light Kit	Viz Pk	Amber		4-1/16x15/16in	2	Bracket
V169KR	LED Clearance Light Kit	Viz Pk	Red		4-1/16x15/16in	2	Bracket
V170A	LED Rec Clearance Light	Viz Pk	Amber		3-1/8x2in	2	Grommet
V170R	LED Rec Clearance Light	Viz Pk	Red		3-1/8x2in	2	Grommet
V172KA	LED Clearance Light Kit	Viz Pk	Amber		2-1/2in	3	Grommet
V172KR	LED Clearance Light Kit	Viz Pk	Red		2-1/2in	3	Grommet
V174KA	LED Round Sealed Light Kit	Viz Pk	Amber	Yes	2in	3	Grommet
V174KR	LED Round Sealed Light Kit	Viz Pk	Red		2in	3	Grommet
V178XA	LED Clearance Light	Viz Pk	Amber		6-5/8x2-1/4in	4	Surface
V178XR	LED Clearance Light	Viz Pk	Red		6-5/8x2-1/4in	4	Surface
V180A	LED Clearance Light	Viz Pk	Amber	Yes	4-1/8x2in	6	Surface



Trailer Electrical & Components



Lights

LED Clearance & Side Marker Lights

Item Number	Description	Extra Info	Color	SO	A	B	C
V180R	LED Clearance Light	Viz Pk	Red	Yes	4-1/8x2in	6	Surface
W47222012	LED Clearance Light	Bulk	Amber	Yes	----	----	Stud

LED Light Kits

A: Size **B:** Diode Qty. **C:** Mount Type **D:** MFG

Item Number	Description	Extra Info	SO	A	B	C	D
ATL-LED	LED Magnetic Light Tow Kit	Viz Pk		20ft	60	Magnet	Custer
TM3-LED	LED Wireless Tow Light	----	Yes	----	----	Magnet	Custer
V417KTA	LED Rear Turn Kit	Viz Pk	Yes	----	----	Flange	Peterson
V940	LED Under 80in Piranah Light Kit	Viz Pk	Yes	25ft	10	2 Stud	Peterson
V941	LED Under80 Wide Rear Light Kit	Viz Pk		----	10	2 Stud	Peterson



ATL-LED



V941

LED Auxiliary lights

A: Diode Qty. **B:** Mount Type **C:** MFG

Item Number	Description	Extra Info	Color	SO	A	B	C
778A	LED Sequencing Light Bar 35in	Box Pk	Amber	Yes	----	Bracket	Peterson
CPL27W	LED Light	Bulk Pk	Clear	Yes	3	Ear Mnt	Custer
M153C-P	LED License Light Kit	Bulk Pk	Clear		1	Bracket	Peterson
M418C-P	LED Back-Up Light	Mfg Pk	White	Yes	----	Flange	Peterson
V315K	LED Auxiliary Light Kit	Viz Pk	Red	Yes	----	Stick On	Peterson



CPL27W



M153C-P

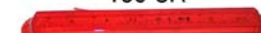
LED Identification Bar Lights

A: Size **B:** Diode Qty. **C:** Mount Type **D:** MFG

Item Number	Description	Extra Info	Color	SO	A	B	C	D
160-3R	LED Identificaton Bar Light	Poly Pk	Red		16-3/4x1in	9	Surface	Peterson
CPL9401	LED Stop/Turn/Tail Bar Light	Bulk Pk	Red		15x2in	14	Surface	Custer
CPL9451	LED Stop/Turn/Tail Bar Light	Bulk Pk	Red		14x1in	9	Surface	Custer
CPL9463	LED Sealed Bar Light w/Reflex	Bulk Pk	Red		15x1in	9	Surface	Custer
M169-3A	LED Identification Bar Light	Mfg Pk	Amber	Yes	16-1/8x1-1/4in	6	Surface	Peterson
M169-3R	LED Sealed Light Bar	Bulk Pk	Red		16-1/8x1-1/4in	6	Surface	Peterson
V169-3R	LED Identification Bar Light	Viz Pk	Red		16-1/8x1-1/4in	6	Surface	Peterson



160-3R



CPL9401



CPL9451



V169-3R

LED Strobing Lights

A: Diode Qty. **B:** Mount Type **C:** MFG

Item Number	Description	Color	SO	A	B	C
423HSA-1	LED Strobe Light	Amber	Yes	----	Surface	Peterson
766A	Micro-Strobe Beacon Light	Amber		----	Surface	Peterson
789A	Strobe Light	Amber	Yes	----	Surface	Peterson
STRL4A	LED High Power Mini Strobe Light	Amber		4	Surface	Custer



766A



STRL4A



Lights

LED License, Back-Up & Utility Lights



B5621304



CPL4CL10



CPL65CL10



HF18R-PHD



LL-LED



CPL65-CL

A: Size B: Diode Qty. C: Mount Type D: MFG

Item Number	Description	Extra Info	Color	SO	A	B	C	D
1492110	LED Utility Light	----	Clear	Yes	5in	54	Post	Buyers
4223	LED Auxiliary Light	Mfg Pk	Clr/Amb	Yes	6-1/2x2-1/4in	22	Grommet	Peterson
47-84-026	LED BackUp Lens w/Plug	----	Clear	Yes	----	----	----	Cequent
B5621304	LED Light 2Pk w/Battery	Carded	Clear		----	4	Stick On	Buyers
CPL4CL10	LED Round Back Up Light	Bulk Pk	Clear		4in	10	Surface	Custer
CPL65A-SMA	LED Oval Mid Turn Light	----	Amber	Yes	6in	18	Grommet	Custer
CPL65-CL	LED Oval Light	Bulk Pk	Clear		6-1/2in	13	Grommet	Custer
CPL65CL10	LED Oval Light	Bulk Pk	Clear		6-1/2in	10	Grommet	Custer
CPL65CL10FB	LED Oval Light	----	Clear	Yes	6-1/2in	----	Surface	Custer
CPL9762	LED Dome Light	----	Clear	Yes	----	----	Surface	Custer
HF18R-PHD	LED 2 Function Light	Viz Pk	Red		----	18	Magnet	Custer
LL-LED	LED License Housing Light	Bulk Pk	Black		----	4	2 Stud	Custer
M417C-P	LED Round Back-Up Light	Bulk Pk	White		4in	26	Grommet	Peterson



Notes:

Trailer: Electrical & Components



Lights Stop & Brake



A: Size **B:** Mount Type **C:** MFG

Item Number	Description	Extra Info	Color	SO	A	B	C
24-23-283	Under80 7-Function Tail Light	----	Red	Yes	----	2 Stud	Cequent
24-23-284	Under80 6-Function Tail Light	----	Red	----	----	2 Stud	Cequent
30-84-529	Recessed Tail Light	Bulk	Red	Yes	----	Recessed	Cequent
30-86-102	Tail/Turn Light	Bulk	Red	Yes	----	Surface	Cequent
30-92-107	Tail Light	Bulk	Red	Yes	----	Surface	Cequent
30-92-109	Tail Light	Bulk	Red	Yes	----	Surface	Cequent
34-92-001	Tail Light	Bulk	Red	Yes	----	Surface	Cequent
34-92-003	Tail Light Lens w/Lic Bracket	----	Red	Yes	----	Surface	Cequent
421KR	Stop/Tail Light Kit	Poly Pk	Red	----	6-1/2x2-1/4in	Grommet	Peterson
421R	Stop/Tail Light	Poly Pk	Red	----	6-1/2x2-1/4in	Grommet	Peterson
426KR	Stop/Tail Light Kit	Poly Pk	Red	----	4-1/4in	Grommet	Peterson
426R	Stop/Tail Light	Poly Pk	Red	----	4-1/4in	Grommet	Peterson
427KR	Sealed Stop/Tail Light Kit	Poly Pk	Red	----	4-1/4in	Grommet	Peterson
442	Universal Combo Light	Box Pk	Red	----	6-3/4x6-1/4in	3 Stud	Peterson
442L	Tail Light Lens w/license	Box Pk	Red	----	6-3/4x6-1/4in	3 Stud	Peterson
445	Stop/Tail Light w/license	Box Pk	Red	----	6-3/4x6-1/4in	3 Stud	Peterson
M413-3	Flush Mount Combo Light w/Reflex	Bulk Pk	Red	----	5-1/2in	Flange	Peterson
M413S	Flush Mount Stop/Tail Light	Bulk Pk	SS/Red	----	5-1/2in	Flange	Peterson
M421KR	Sealed Stop/Turn/Tail Light	Bulk Pk	Red	----	6-1/2x2-1/4in	Grommet	Peterson
M421R	Stop/Turn/Tail Light	Bulk Pk	Red	----	6-1/2x2-1/4in	Grommet	Peterson
M425-3	Stop/Turn/Tail Mount Light	Bulk Pk	Red	----	5-1/2in	Flange	Peterson
M425S	Stop/Tail Light	Mfg Pk	Red	Yes	----	Flange	Peterson
M426KR	Sealed Stop/Turn/Tail Light Kit	Bulk Pk	Red	----	4-1/4in	Grommet	Peterson
M426R	Sealed Stop/Turn/Tail Light	Bulk Pk	Red	----	4-1/4in	Grommet	Peterson
M427R	Sealed Stop/Turn/Tail Light	Bulk Pk	Red	----	4-1/4in	Grommet	Peterson
M428S	Universal Stop/Turn/Tail Light	Bulk Pk	Red	----	3-3/4in	2 Stud	Peterson
M428W	Universal Stud Mount Stop Light	Bulk Pk	Red	----	3-3/4in	2 Stud	Peterson
M431R	Sealed Stop/Turn/Tail Light	Bulk Pk	Red	----	4-1/4in	Grommet	Peterson
M440	Under80 Wide Combo Light	Bulk Pk	Red	----	4-1/2in	2 Stud	Peterson
M440L	Under80 Wide Combo Light w/Lic	Bulk Pk	Red	----	4-1/2in	2 Stud	Peterson
M444	Over80 Wide Combo Light	Bulk Pk	Red	----	4-1/2in	2 Stud	Peterson
M444L	Over80 Wide Combo Light w/Lic	Bulk Pk	Red	----	4-1/2in	2 Stud	Peterson
M457	Combo Tail Light w/out Lic	Bulk Pk	Red	----	8-13/16x5-1/16in	Surface	Peterson
M457L	Combo Tail Light w/License	Bulk Pk	Red	----	8-13/16x5-1/16in	Surface	Peterson
V25911	Stop/Tail/Turn Light w/Reflex	Viz Pk	Red	Yes	8-9/16x4-5/8in	Surface	Peterson
V25914	Stop/Tail Light	Viz Pk	Red	Yes	8-9/16x4-5/8in	Surface	Peterson
V306R	Stop/Tail Light	Viz Pk	Red	----	4-9/16x2-1/2in	Surface	Peterson
V334-2	Stop/Turn/Tail Stud Mount Light	Viz Pk	Red	----	4-1/8in	Post	Peterson
V413	Stop/Turn/Tail Flush Mount Light	Viz Pk	Red	----	5-1/2in	Flange	Peterson
V426KR	Stop/Turn Grommet Kit w/Plug	Viz Pk	Red	----	4-1/4in	Grommet	Peterson
V428S	Tail Light w/o License	Viz Pk	Red	----	3-3/4in	2 Stud	Peterson
V428W	Stop/Turn Light w/License	Viz Pk	Red	----	3-3/4in	2 Stud	Peterson
V440	Tail Light w/o License	Viz Pk	Red	----	5x4-1/2in	2 Stud	Peterson
V440L	Tail Light w/License	Viz Pk	Red	----	5x4-1/2in	2 Stud	Peterson
V445	Stop/Tail Light w/License	Viz Pk	Red	----	6-3/4x6-1/4in	3 Stud	Peterson
V452L	Stop/Turn Light w/License	Viz Pk	Red	----	5-3/4x4-1/2in	2 Stud	Peterson
W403010	Under80 Tail Light LH	7-Way Pk	Red	----	----	2 Stud	Cequent



Lights Stop & Brake

Submersible Lights



A: Size **B:** Mount Type **C:** MFG

Item Number	Description	Extra Info	Color	SO	A	B	C
203206	Mini launch Waterproof Light	Carton	----	Yes	----	Bracket	Cequent
423075	Over80 Submersible Tail Light	Carton	Red	Yes	----	2 Stud	Cequent
M441	Under80 Sub Wide Combo Light	Bulk Pk	Red		5x4-1/2in	2 Stud	Peterson
M441L	Under80 Sub Wide Combo Light	Bulk Pk	Red		5x4-1/2in	2 Stud	Peterson
M451	Submersible Combo Light	Bulk Pk	Red		----	2 Stud	Peterson
M451L	Submersible Combo Light Left	Bulk Pk	Red		----	2 Stud	Peterson
M452	Submersible Combo Light Right	Bulk Pk	Red		5-3/4x4-1/2in	2 Stud	Peterson
M452L	Sub Combo Light W/License	Bulk Pk	Red		5-3/4x4-1/2in	2 Stud	Peterson
V452	Over80 Sub Combo Tail Light	Viz Pk	Red		5-3/4x4-1/2in	2 Stud	Peterson
W3023	Under80 Sub Tail Light LH	Clamshell	Red		----	2 Stud	Cequent
W3026	Over80 Waterproof Light	Clamshell	Red		----	2 Stud	Cequent
W3028	Over80 Waterproof Wraparound	Clamshell	Red		----	2 Stud	Cequent
W3073	Under80 Sub Tail Light RH	Clamshell	Red		----	2 Stud	Cequent
W3076	Over80 Light Tail RH	Clamshell	Red		----	2 Stud	Cequent
W3078	Over80 Tail Light RH	Clamshell	Red		----	2 Stud	Cequent
W3348	Capsule Sealed Tail Light	----	Clear		----	----	Cequent
W3521	Over80 Sub Tail Light LH	Clamshell	Red		----	2 Stud	Cequent
W3554	Over80 Sub Tail Light RH	Carton	Red		----	2 Stud	Cequent
W403356	Tail Light Bulb Capsule	Clamshell	Clear		----	----	Cequent
W6504	Over80 SubTail Light	Carton	Red		----	2 Stud	Cequent



Notes:



Lights Light Kits



See LED Light In Previous Sections

A: Length **B:** Mount Type **C:** MFG

Item Number	Description	Extra Info	Color	A	B	C
08-2604	440 Style Light Kit	----	Red	25ft	2 Stud	Tuff-Tow
ATL20A	Magnetic Harness Tow Light Kit	----	Red	20ft	Magnet	Custer
CUMATL20-A	Magnetic Tow Light Kit	----	Red	----	Magnet	Curt
EZT20B	EZ Tow Light w/Flap Harness	----	Red	20ft	Flange	Custer
HDTL30CC	HD Tow Light w/Case	----	Red	30ft	Magnet	Custer
HDTL30CC-7B	HD Tow Light Kit	----	Red	30ft	Magnet	Custer
M545	440 Harness Trailer Light Kit	Box Pk	Red	25ft	2 Stud	Peterson
V540	Trailer Light Kit	Viz Pk	Red/Amb	20ft	2 Stud	Peterson
V544	Trailer Light Kit	Viz Pk	Red	25ft	2 Stud	Peterson
V547	Trailer Light Kit	Viz Pk	Red	25ft	2 Stud	Peterson
V555	Tow Light Kit	Viz Pk	Red	25ft	Magnet	Peterson
W407500	Harness Tail Light Kit	----	Red	20ft	2 Stud	Cequent
W7509	Over80 Low Profile Tail Light Harness Kit	----	Red/Amb	25ft	2 Stud	Cequent
W7511	Under80 Submersible Light Harness Kit	----	Red	20ft	2 Stud	Cequent
W7516	Over80 Submersible Tail Light Harness Kit	----	Red/Amb	25ft	2 Stud	Cequent

Turn Signal



A: Size **B:** Mount Type **C:** MFG

Item Number	Description	Extra Info	Color	A	B	C
313-2RA	Pedestal Light	Box Pk	Red/Amb	4-1/8in	Post	Peterson
324	Dual Faced Turn/Side Light	Box Pk	Amber	5-5/8x2-3/4in	Post	Peterson
326	Dual Faced Signal Light	Box Pk	Red/Amb	4-3/4x4-1/2in	Post	Peterson
426KA	Sealed Tail Light	Poly Pk	Red	4-1/4in	Grommet	Peterson
M306A	Stop/Turn/Tail Light	Bulk Pk	Amber	4-9/16x2-1/2in	Surface	Peterson
M306R	Stop/Turn/Tail Light	Bulk Pk	Red	4-9/16x16x2-1/2in	Surface	Peterson
M343A	Surface Mount Signal Light	Bulk Pk	Amber	5-1/2x2-1/4in	Surface	Peterson
M352A	Oblong Combo Side/Turn Light	Bulk Pk	Amber	6-1/2x2-13/16in	Grommet	Peterson
M421A	Oval Light No Gromet/Plug	Bulk Pk	Amber	6-1/2x2-1/4in	Grommet	Peterson
M421KA	Park/Turn Light	Bulk Pk	Amber	6-1/2x2-1/4in	Grommet	Peterson
M426A	Sealed Stop/Turn/Tail Light	Bulk Pk	Amber	4-1/4in	Grommet	Peterson
V313-2	Singleface Post Mount Light	Viz Pk	Red	4-1/8in	Post	Peterson
V313-2RA	Doubleface Post Mount Light	Viz Pk	Red/Amb	4-1/8in	Post	Peterson
V313AA	Turn Signal Light	Viz Pk	Amber	4-1/8in	Post	Peterson
V335-2	Turn Signal Stud Mount Light	Viz Pk	Red/Amb	4-1/8in	Post	Peterson
V339-2	Single Face Stop/Turn Light	Viz Pk	Red	4-1/8in	Post	Peterson



Lights Tractor & Implement Lights



A: Size B: Mount Type C: MFG

Item Number	Description	Extra Info	Color	SO	A	B	C
505K	Snow Plow Light Kit	Box	Clr/Amb	Yes	11x5-1/4in	Post	Peterson
507F	Tractor Flood Light	Poly Pk	Clear		4-3/4in	Post	Peterson
508	Tractor Trapezoid 3000C Light	Display Box	Clear		4-3/4in	Post	Peterson
M507	Tractor Trapezoid Light	Bulk Pk	Clear		4-3/4in	Post	Peterson
M509	Tractor Halogen Rubber Light	Bulk Pk	Clear		6-7/8x4-1/2in	Post	Peterson
M526	Driving LX Light	Bulk Pk	Clear		6-3/8x3-1/2in	Post	Peterson
M907	LED Worklight w/Hardware	Mfg Pk	Clear		4.85x4.85in	Post	Peterson
V503HF	Tractor Flood Light	Viz Pk	Clear		6-7/8x4-1/2in	Post	Peterson
V503HT	Tractor Trapezoid Light	Viz Pk	Clear		6-7/8x4-1/2in	Post	Peterson
V504HF	HD Tractor/Work Light	Viz Pk	Clear		6-7/8x4-1/2in	Post	Peterson
V507	Tractor Trapezoid Rubber Light	Viz Pk	Clear		4-3/4in	Post	Peterson
V525S-2	Halogen Docking Light Kit	Viz Pk	Clear		6-3/8x3-1/2in	Post	Peterson
V527-1	Slim line Fog Light Kit	Viz Pk	Amber		6-1/4x2-5/8in	Post	Peterson
V530	Off-Road Driving Light	Viz Pk	Clear		6-1/2in	Post	Peterson
V531	Off-Road LX Light	Viz Pk	Chrome		6-1/2in	Post	Peterson
V552-2	OE Style Fog Light Kit	Viz Pk	Amber		5-5/8x2-7/8in	Post	Peterson
V556-2	Mini-Slim Fog Light Kit	Viz Pk	Clear		4-3/8x1-1/2in	Bracket	Peterson
V562-1	OE Style LX Light Kit	Viz Pk	Chrome		5-5/8x3in	Post	Peterson
V566-1	Driving OEM Style Fog Light	Viz Pk	Clear		5-7/8in	Post	Peterson
V582-2	Ion Fog Light Kit	Box	Clear	Yes	5-1/2x2-3/8in	Post	Peterson
V583-2	OE Style ION Projector Light	Viz Pk	Clear		5-7/8in	Bracket	Peterson
V586-2	LX Compact ION Driving Light	Viz Pk	Clear		3-5/16x2-3/8in	Bracket	Peterson

Identification Bar Lights



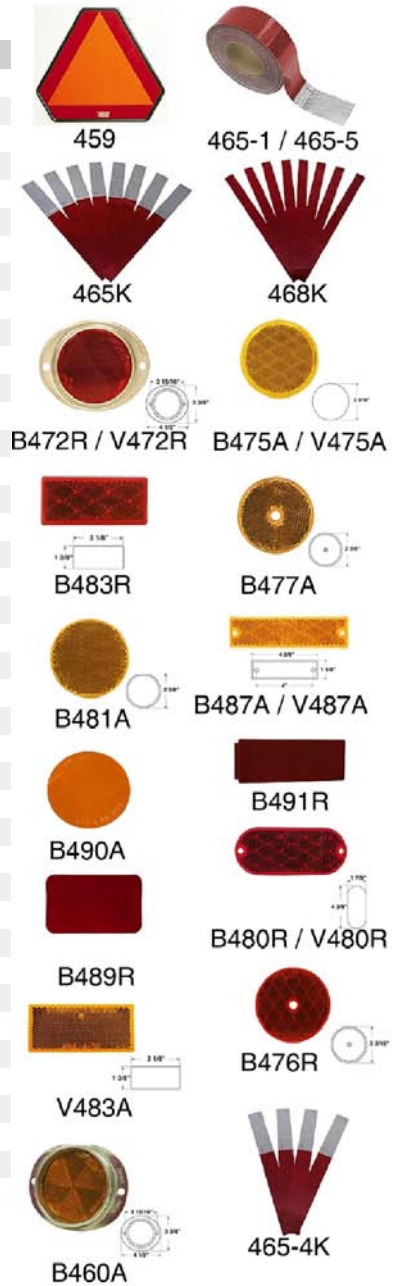
A: Size B: Mount Type

Item Number	Description	Extra Info	Color	A	B
136-3R	Oblong 3 Light Bar	Poly Pk	Red	15-1/2x1-3/16in	Surface
M104-3R	Mini Bar Light	Bulk Pk	Red	15-1/4x2-1/2in	Surface
M107-3A	Square 3 light Bar	Bulk Pk	Amber	16-1/2x1in	Surface
M107-3R	Square 3 light Bar	Bulk Pk	Red	16-1/2x1in	Surface
M150-3A	Submersible Light Bar	Bulk Pk	Amber	17x1-1/2in	Surface
M150-3R	Submersible Light Bar	Bulk Pk	Red	17x1-1/2in	Surface
V107-3R	Incandescent ID Light Bar	Viz Pk	Red	16-1/2x1in	Surface
W3305	Waterproof 3 Light Bar	Bulk Pk	Red	14-1/2x1-1/8in	Surface
W3315	3 Light Bar Display	Viz Pk	Red	14-1/2x1-1/8in	Surface

Lights Reflectors & Tape

A: Size B: Mount Type

Item Number	Description	Extra Info	Color	A	B
459	Warning SMV Emblem	Box Pk	Red/Org	16-1/4x14in	Stick On
459-1	Adhesive Warning SMA Emblem	Box Pk	Red/Org	16-1/4x14in	Stick On
465-1	Reflective Marking Tape	Box Pk	Rd/Wht	150ftx2in	Tape
465-4K	Reflective Marking Tape Kit	Viz Pk	Rd/Wht	18x2in	Tape
465-5	Reflective Marking Tape	Box Pk	Rd/Wht	150ftx1in	Tape
465K	Reflective Marking Tape Kit	Viz Pk	Rd/Wht	18x2in	Tape
468K	Reflective Marking Tape Kit	Viz Pk	Red	18ix1-7/16in	Tape
B460A	Steel Rim Oval Reflector	Bulk Pk	Amber	3-3/4in	Surface
B460R	Steel Rim Oval Reflector	Bulk Pk	Red	3-3/4in	Surface
B472A	Aluminum Oval Reflector	Bulk Pk	Amber	4-1/2x3-3/4in	Surface
B472R	Aluminum Oval Reflector	Bulk Pk	Red	4-1/2x3-3/4in	Surface
B475A	Round Quick Mount Reflector	Bulk Pk	Amber	3-3/16in	Stick On
B475R	Round Quick Mount Reflector	Bulk Pk	Red	3-3/16in	Stick On
B476A	Round Center Mount Reflector	Bulk Pk	Amber	3-3/16in	Surface
B476R	Round Center Mount Reflector	Bulk Pk	Red	3-3/16in	Surface
B477A	Round Center Mount Reflector	Bulk Pk	Amber	2-3/8in	Surface
B477R	Round Center Mount Reflector	Bulk Pk	Red	2-3/8in	Surface
B480A	Oblong Quick Mount Reflector	Bulk Pk	Amber	4-3/8x1-7/8in	Stick On
B480R	Oblong Quick Mount Reflector	Bulk Pk	Red	4-3/8x1-7/8in	Stick On
B481A	Round Quick Mount Reflector	Bulk Pk	Amber	2-3/8in	Stick On
B481R	Round Quick Mount Reflector	Bulk Pk	Red	2-3/8in	Stick On
B483A	Rectangle Quick Mount Reflector	Bulk Pk	Amber	3-1/8x1-3/8in	Stick On
B483R	Rectangle Quick Mount Reflector	Bulk Pk	Red	3-1/8x1-3/8in	Stick On
B487A	Rectangle Compact Reflector	Bulk Pk	Amber	4-7/16x1-1/8in	Surface
B487R	Rectangle Comapct Reflector	Bulk Pk	Red	4-7/16x1-1/8in	Surface
B489A	Retangular Spitfire Reflector	Bulk Pk	Amber	2-3/4x1-3/4in	Tape
B489R	Retangular Spitfire Reflector	Bulk Pk	Red	2-3/4x1-3/4in	Tape
B490A	Round Spitfire Reflector	Bulk Pk	Amber	2-7/8in	Tape
B490R	Round Spitfire Reflector	Bulk Pk	Red	2-7/8in	Tape
B491A	Retangular Spitfire Reflector	Bulk Pk	Amber	4-5/16x1-11/16in	Tape
B491R	Retangular Spitfire Reflector	Bulk Pk	Red	4-5/16x1-11/16in	Tape
V472A	Oval Aluminum Reflector	Viz Pk	Amber	4-1/2x3-3/4in	Surface
V472R	Oval Aluminum Reflector	Viz Pk	Red	4-1/2x3-3/4	Surface
V475A	Round Reflector	Viz Pk	Amber	3-3/16in	Stick On
V475R	Round Reflector	Viz Pk	Red	3-3/16in	Stick On
V480A	Oblong Reflector	Viz Pk	Amber	4-3/8x1-7/8in	Stick On
V480R	Oblong Reflector	Viz Pk	Red	4-3/8x1-7/8in	Stick On
V483A	Rectangle Reflector	Viz Pk	Amber	3-1/8x1-3/8in	Stick On
V483R	Rectangle Reflector	Viz Pk	Red	3-1/8x1-3/8in	Stick On
V487A	Rectangle Compact Reflector	Viz Pk	Amber	4-3/8x1-1/8in	Surface
V487R	Rectangle Compact Reflector	Viz Pk	Red	4-3/8x1-1/8in	Surface





Lights License, Back-Up & Utility Lights



A: Size **B:** Mount Type

Item Number	Description	Extra Info	Color	SO	A	B
30-62-102	License Plate Light w/o Bracket	Bulk	Clear		4x1-1/2in	Ear Mt
30-84-104	Triple Back-Up Taillight	Bulk	Red/Amb	Yes	----	----
415	Back-Up Light	Poly Pk	Clear		4-1/4in	Grommet
415K	Back-Up Light Kit	Poly Pk	Clear		4-1/4in	Grommet
416K	Oblong Back-Up Light Kit	Viz Pk	Clear		6-1/2x2-1/4in	Grommet
436SX	License Plate Light	Poly Pk	Clear		2-11/16x1-1/2in	Stud
438	License/Utility Light	Poly Pk	Clear		1-1/2in	Recessed
760MA	Enclosed Light Bar	Box Pk	Amber	Yes	----	Bracket
777A	Dual Level Light Bar	Box Pk	Amber	Yes	47in	Bracket
M393C	Back-Up Light	Mfg Pk	Clear		4-9/16x2-1/2in	Surface
M400	License Plate Light	Poly Pk	Clear		2-11/16x1-1/2in	Stud
M411C	Round Back-Up Light	Bulk Pk	Clear		5-1/2in	Flange
M411SC	Round Back-Up Light	Mfg Pk	Clear	Yes	4in	Flange
M415	Sealed Round Back-Up Light	Bulk Pk	Clear		4-1/4in	Grommet
M416	Sealed Oval Back-Up Light	Bulk Pk	Clear		6-1/2x2-1/4in	Grommet
M435	License Plate Light	Bulk Pk	Clear		2-3/4x1-1/2in	Ear Mt
M436	Stud Mount License Plate Light	Bulk Pk	Clear		4x1-3/4in	2 Stud
M436B	Stud Mt License Plate Light w/Bracket	Bulk Pk	Clear		8-7/8x2-7/8in	Surface
M437	Utility Light	Bulk Pk	Clear		3-1/8in	Ear Mt
M439	Sealed License Plate Light	Bulk Pk	Clear		3-3/8x1-1/4in	Ear Mt
V392C	Back-Up Light Kit	Viz Pk	Clear		3-1/8in	Surface
V434	Utility Light	Viz Pk	Clear		2-9/16x1-3/16in	Ear Mt
V435	License Plate Light	Viz Pk	Clear		2-3/4x1-1/2	Ear Mt
V436SX	Stud Mount License Plate Light	Viz Pk	Clear		2-11/16x2-1/8	Ear Mt
V438	License/Utility Light	Viz Pk	Clear		2x1-1/2in	Recessed



Lights Dome & Interior Lights



A: Size B: Mount Type

Item Number	Description	Extra Info	Color	SO	A	B
2557C	Porch Light w/Switch	Mfg Pk	White		6-3/8x3-1/2in	Surface
M382C	Oval Porch Light w/Switch	Mfg Pk	Clear		6-1/4x1-1/4in	Surface
M385S	Colonial Porch Light w/Switch	Bulk Pk	Clear		6-3/8x3-1/2in	Surface
M389S	Aluminum Dome Light	Bulk Pk	Clear		4-7/8in	Surface
M390S	Interior Dome Plastic Light	Bulk Pk	Clear		6-5/16in	Surface
M395C	Dome/Utility Flange Light	Bulk Pk	Clear		9-1/2in	Surface
M434	Mini Utility Light	Bulk Pk	Clear		2-9/16x1-3/16in	Ear Mt
V376S	Single Ceiling Light	Viz Pk	Clear	Yes	6-7/16x5-5/8in	Surface
V377S	Ceiling Light	Box	Clear	Yes	11-7/16x5-5/8in	Surface
V378S	Interior Ceiling Light	Viz Pk	Clear	Yes	11-7/16x5-5/8in	Surface
V384	Porch Light w/o Switch	Viz Pk	Clear		6-3/8x3-1/2in	Surface
V384S	Porch Light w/Switch	Viz Pk	Clear		2-9/16x1-3/16in	Surface
V385S	Porch/Utility Light	Viz Pk	Clear		6-3/8x3-1/2in	Surface
V390S	Interior Dome Plastic Light	Viz Pk	Clear		6-5/16in	Surface
V391C	Interior Light 12V	Viz Pk	Clear		4-9/16x2-1/2in	Surface
V433S	Interior Light w/Switch	Viz Pk	Clear		4-1/16x2-3/8in	Surface

Emergency & Warning



A: Size B: Mount Type C: MFG

Item Number	Description	Extra Info	Color	SO	A	B	C
449	Warning Triangle	3 PK	Flr Org		20x5x5in	----	Buyers
746A	Flashing Light	Box Pk	Amber		5-1/2in	Surface	Peterson
753A	Mini Beacon Light Bar	Box Pk	Amber	Yes	15-1/2in	Surface	Peterson
754A	Revolving Light	Box Pk	Amber	Yes	8in	Surface	Peterson
757HA	Revolving Light	Box Pk	Amber	Yes	7-1/2in	Surface	Peterson
759A	Revolving Light	Box Pk	Amber	Yes	9-1/2in	Surface	Peterson
761A	Halogen Flashing Light Bar	Box Pk	Amber		23x5/14in	Surface	Peterson
763A	12V Revolving Beacon Light	Box Pk	Amber		5-1/2in	Surface	Peterson
769A	Strobe Light	Box Pk	Amber		5-1/2in	Surface	Peterson
779-1A	LED Flashing Arrow w/Control Box/25ft Cable	Box Pk	Amber	Yes	55in	Surface	Peterson
779A	Warning Flashing Arrow w/Control Box/25ft Cable	Box Pk	Amber	Yes	55in	Bracket	Peterson
HF100A	Hazard Flasher Light	----	Red/Amber		----	Magnet	Custer
L2-77	Strobe Bulb	----	Clear		2-3/4in	----	Peterson
V773A	Alternating Flashing Light	Viz Pk	Amber		5-1/2x4-5/8in	Surface	Peterson
V774A	Revolving Light	Viz Pk	Amber		5-1/4x5in	Surface	Peterson



Lights Clearance & Side Marker Lights Oblong Clearance or Side Marker Light



M106A



M118A / V118A



M135A / V135A



V118KA



M108WR / V108WR



M130R



V109A



V136R

A: Size **B:** Mount Type

Item Number	Description	Extra Info	Color	SO	A	B
136A	Oblong Clearance Light SM	Poly Pk	Amber		3-1/4x1-1/16in	Surface
34-59-001	Clearance Light w/White Base	Bagged	Red		10x4in	Surface
34-59-002	Clearance Light w/White Base	Bagged	Amber		10x4in	Surface
34-59-010	Clearance Light Replacement	----	Red		----	Surface
34-59-012	Clearance Light Replacement	----	Amber		----	Surface
M106A	Oval Dual Bulb Light	Bulk Pk	Amber		4-1/8x2in	Surface
M106R	Oval Dual Bulb Light	Bulk Pk	Red		4-1/8x2in	Surface
M108WA	Oblong Light	Bulk Pk	Amber		4-1/8x2in	Surface
M108WR	Oblong Light	Bulk Pk	Red		4-1/8x2in	Surface
M116A	Clearance Light	Mfg Pk	Amber	Yes	5-3/8x3-3/16in	Surface
M116R	Clearance Light	Mfg Pk	Red	Yes	5-3/8x3-3/16in	Surface
M118A	Cab Marker Light	Bulk Pk	Amber		5-1/2x1-5/8in	Surface
M130A	Hard Hat Clearance Light w/Reflector	Bulk Pk	Amber		6x2-1/16in	Surface
M130R	Hard Hat Clearance Light w/Reflector	Bulk Pk	Red		6x2-1/16in	Surface
M135A	Oblong Side Marker Light	Bulk Pk	Amber		4-1/8x2in	Surface
M135R	Oblong Side Marker Light	Bulk Pk	Red		4-1/8x2in	Surface
V108WA	Oval Combo Bulb Light w/Reflector	Viz Pk	Amber		4-1/8x2in	Surface
V108WR	Oval Combo Bulb Light w/Reflector	Viz Pk	Red		4-1/8x2in	Surface
V109A	Cab Light	Viz Pk	Amber		6-3/4x2-1/2in	Surface
V118A	Cab Light	Viz Pk	Amber		5-1/2x1-5/8in	Surface
V118KA	Cab Light Kit	Viz Pk	Amber		5-1/2x1-5/8in	Surface
V135A	Oblong Clearance Light	Viz Pk	Amber		4-1/8x2in	Surface
V135R	Oblong Clearance Light	Viz Pk	Red		4-1/8x2in	Surface
V136A	Oblong Clearance Light	Viz Pk	Amber		3-1/2x1-1/16in	Surface
V136R	Oblong Clearance Light	Viz Pk	Red		3-1/2x1-1/16in	Surface
V168A	LED Clearance Light	Viz Pk	Amber		3-15/16x1-11/32	Surface
V168R	LED Clearance Light	Viz Pk	Red	Yes	3-15/16x1-11/32	Surface



Lights Clearance & Side Marker Lights Rectangular Clearance or Side Marker Light



A: Size **B:** Mount Type

Item Number	Description	Extra Info	Color	SO	A	B	C
108125	Side Marker Clearance Light	----	----	Yes	----	Surface	Cequent
30-59-001	Clearance Light	----	Red	Yes	----	Surface	Cequent
30-59-002	Clearance Light	----	Amber	Yes	----	Surface	Cequent
30-68-511	Clearance Light	----	Amber	Yes	----	Surface	Cequent
30-99-001	Clearance Light 99 Series	----	Red		4-1/16x1-3/8in	Surface	Cequent
30-99-002	Clearance Light 99 Series	----	Amber		4-1/16x1-3/8in	Surface	Cequent
40-40-004	Fender Mount Clearance Light	----	Red/Amb/Blk	Yes	----	Surface	Cequent
40-40-104	Clearance Light	----	----	Yes	----	Surface	Cequent
40-40-115	Standard Clearance Light	----	----	Yes	----	Surface	Cequent
40-40-120	Fender Mount Light Bracket	----	Black		----	Surface	Cequent
M114A	Rectangle Light	Bulk Pk	Amber		2-3/4x2-1/8in	Stud	Peterson
M114R	Rectangle Light	Bulk Pk	Red		2-3/4x2-1/8in	Stud	Peterson
M115A	Side Marker Light	Bulk Pk	Amber		4x2-3/8in	Surface	Peterson
M115R	Side Marker Light	Bulk Pk	Red		4x2-3/8in	Surface	Peterson
M125A	Clearance Light w/Reflex	Bulk Pk	Amber		3-3/4x2-1/4in	Surface	Peterson
M125R	Clearance Light w/Reflex	Bulk Pk	Red		3-3/4x2-1/4in	Surface	Peterson
M126A	High Styled Rectangle Light	Bulk Pk	Amber		3-3/4x2-1/4in	Surface	Peterson
M126R	High Styled Rectangle Light	Bulk Pk	Red		3-3/4x2-1/4in	Surface	Peterson
M138A	Double Bulls-Eye Light	Bulk Pk	Amber		4x2in	Surface	Peterson
M138R	Double Bulls-Eye Light	Bulk Pk	Red		4x2in	Surface	Peterson
V114A	Clearance Light	Viz Pk	Amber		2-3/4x2-1/8in	Stud	Peterson
V114R	Clearance Light	Viz Pk	Red		2-3/4x2-1/8in	Stud	Peterson
V132R	Clearance Marker Light	Viz Pk	Red		3-7/8x1-13/16in	Surface	Peterson
V138A	Clearance Light	Viz Pk	Amber		4x2in	Surface	Peterson
V138R	Double Bulls-Eye Light	Viz Pk	Red		4x2in	Surface	Peterson
V2548A	Clearance Light	----	Amber	Yes	----	Surface	Peterson
V2548R	Clearance Light	----	Red	Yes	----	Surface	Peterson
W3111	Clearance Light	----	Amber		3-1/8x2in	Stud	Cequent
W3113	Clearance Light	----	Red		3-1/8x2in	Stud	Cequent
W3121	Clearance Light	----	Amber		3-7/8x2in	Ear Mt	Cequent
W3235	Mount Light	----	Amber		Small	Stud	Cequent
W3236	Mount Light	----	Red		Small	Stud	Cequent
W3263	Reflective Clearance Light	----	Amber		Small	Surface	Cequent



Lights Clearance & Side Marker Lights Sealed Clearance or Side Marker Light



A: Size **B:** Mount Type

Item Number	Description	Extra Info	Color	SO	A	B
154A	Clearance Light	Poly Pk	Amber		3-13/16x1-1/4in	Bracket
154R	Clearance Light	Poly Pk	Red		3-13/16x1-1/4in	Bracket
M142A	Sealed Round Light	Bulk Pk	Amber		2-1/2in	Grommet
M142R	Sealed Round Light	Bulk Pk	Red		2-1/2in	Grommet
M143A	Sealed Light w/Reflex	Bulk Pk	Amber		2-1/2in	Grommet
M143R	Sealed Light w/Reflex	Bulk Pk	Red		2-1/2in	Grommet
M145A	Sealed Beehive Marker/Clearance Light	Bulk Pk	Amber	Yes	2in	Grommet
M146A	Sealed Round PC Rated Light	Bulk Pk	Amber		2in	Grommet
M146C	Sealed Round PC Rated Light	Bulk Pk	Clear		2in	Grommet
M146R	Sealed Round PC Rated Light	Bulk Pk	Red		2in	Grommet
M150A	Sealed Sm Rectangle Light	Mfg Pk	Amber		2-1/2in	Bracket
M150C	Sealed Sm Rectangle Light	Bulk Pk	Clear		2-1/2in	Bracket
M150R	Sealed Sm Rectangle Light	Bulk Pk	Red		2-1/2in	Bracket
M150W	Sealed Utility Only Light	Bulk Pk	Clear		2-1/2x1-1/4in	Bracket
M151A	Side Marker Light	Bulk Pk	Amber		2-1/8x1-1/8in	Bracket
M151R	Side Marker Light	Bulk Pk	Red		2-1/8x1-1/8in	Bracket
M152A	Side Marker Light	Bulk Pk	Amber		2-1/2x1-1/4in	Bracket
M152BKA	Sealed Rectangle Light Kit	Bulk Pk	Amber/Blk		2-1/2x1-1/4in	Bracket
M152BKR	Sealed Rectangle Light Kit	Bulk Pk	Red		2-1/2x1-1/4in	Bracket
M152R	Clearance/Side Marker Light	Bulk Pk	Red		2-1/2x1-1/4in	Bracket
M153A	Sealed LED Clearance Light	Bulk Pk	Amber		2-7/8in	Bracket
M153R	Sealed LED Clearance Light	Bulk Pk	Red		2-7/8in	Bracket
M154A	Long Rectangle Light	Bulk Pk	Amber		3-13/16x1-1/4in	Bracket
M154A-R	Fender Mount Clearance Light	Bulk Pk	Amber/Red		2-1/2x1-1/4in	Bracket
M154C	Long Rectangle Light	Bulk Pk	Clear		2-1/2x1-1/4in	Bracket
M154R	Long Rectangle Light	Bulk Pk	Red		2-1/2x1-1/4in	Bracket
M165SR	Sealed LED Light	Bulk Pk	Red		4in	Surface
V142A	Sealed Round Light	Viz Pk	Amber		2-1/2in	Grommet
V142R	Sealed Round Light	Viz Pk	Red		2-1/2in	Grommet
V143A	Sealed Light w/Reflex	Viz Pk	Amber		2-1/2in	Grommet
V143R	Sealed Light w/Reflex	Viz Pk	Red		2-1/2in	Grommet
V146A	Sealed Round Light	Viz Pk	Amber		2in	Grommet
V146R	Sealed Round Light	Viz Pk	Red		2in	Grommet
V150A	Sealed Rec Side Marker Light	Viz Pk	Amber		2-1/2in	Bracket
V150KA	Sealed Rec Light w/Base	Viz Pk	Amber		2-1/2in	Bracket
V150KR	Sealed Rec Light w/Base	Viz Pk	Red		2-1/2in	Bracket
V150R	Sealed Rec Side Marker Light	Viz Pk	Red		2-1/2in	Bracket
W3233	Clearance Light	Viz Pk	Amber		2-1/8x1-1/8in	Stud
W3234	Clearance Light	Viz Pk	Red		2-1/8x1-1/8in	Stud

Lights

Clearance & Side Marker Lights

Cast-Aluminum Clearance & Side Marker Light

A: Size B: Mount Type

Item Number	Description	Extra Info	Color	A	B
123A	Cast Aluminum Clearance Light	Poly Pk	Amber	5x2-1/8in	Surface
123R	Cast Aluminum Clearance Light	Poly Pk	Red	5x2-1/8in	Surface
M119A	Metal Side Marker Light	Bulk Pk	Amber	4-1/2x2-3/16in	Surface
M119R	Metal Side Marker Light	Bulk Pk	Red	4-1/2x2-3/16in	Surface
M122A	Gray Armored Cab Marker Light	Bulk Pk	Amber	4-7/8x2-1/4in	Surface
M122R	Gray Armored Cab Marker Light	Bulk Pk	Red	4-7/8x2-1/4in	Surface
M122XA	Chrome Vanguard II Light	Bulk Pk	Amber	4-7/8x2-1/4in	Surface
M122XR	Chrome Vanguard II Light	Bulk Pk	Red	4-7/8x2-1/4in	Surface
M124A	Clearance/Side Marker Light	Bulk Pk	Amber	4-7/8x2-1/4in	Surface
M124R	Clearance/Side Marker Light	Bulk Pk	Red	4-7/8x2-1/4in	Surface
V122XA	Chrome Vanguard II Light	Viz Pk	Amber	4-7/8x2-1/4in	Surface
V122XR	Chrome Vanguard II Light	Viz Pk	Red	4-7/8x2-1/4in	Surface



123A



M119R



M122XR

V122XR



M124A



M122A

Mini Clearance and Side Marker Light

A: Size B: Mount Type

Item Number	Description	Extra Info	Color	A	B
M107WA	Mini Square Light w/Reflex	Bulk Pk	Amber	3-1/4x1in	Ear Mt
M107WR	Mini Square Light w/Reflex	Bulk Pk	Red	3-1/4x1in	Ear Mt
V107-6A	Running Light Kit	Viz Pk	Amber	3-1/4x1in	Ear Mt
V107WA	Mini Surface Mount Light	Viz Pk	Amber	3-1/4x1in	Ear Mt
V107WR	Mini Surface Mount Light	Viz Pk	Red	3-1/4x1in	Ear Mt



M107WR
V107WR



V107-6A

Round Clearance and Side Marker Light

A: Size B: Mount Type

Item Number	Description	Extra Info	Color	A	B
M100R	Round Light	Bulk Pk	Red	2-1/2in	Surface
M102A	Round Light	Bulk Pk	Amber	2-7/8in	Surface
M102R	Round Light	Bulk Pk	Red	2-7/8in	Surface
V102A	Light	Viz Pk	Amber	2-7/8in	Surface
V102R	Light	Viz Pk	Red	2-7/8in	Surface
V110A	Bee Hive Light	Viz Pk	Amber	1-7/8in	Bracket
V110R	Bee Hive Light	Viz Pk	Red	1-7/8in	Bracket
V131A	Round Side Marker Light	Viz Pk	Amber	2-1/2in	Surface
V131R	Round Side Marker Light	Viz Pk	Red	2-1/2in	Surface



M102A / V102A



M100R



V131R



M110A

Lens Covers & Components

Other

A: Size

Item Number	Description	Extra Info	Color	SO	A	B
30-86-711	Clearance Light	----	Red	Yes	----	Cequent
34-78-021	Porch Light Lens	----	Clear	----	5-1/4x2-1/4in	Cequent
384-15C	Porch/Utility Lens	Poly Pk	Clear	----	6-3/8x3-1/2in	Peterson
389-15C	Round Dome Lens	Poly Pk	Clear	----	6in	Peterson
390-15	Round Dome Lens	Poly Pk	White	----	6-5/16in	Peterson
392-25C	Back-Up Lens	Poly Pk	Clear	----	3-1/8in	Peterson
410-21	Snap Ring	----	Stainless	----	4-1/4in	Peterson
414-15C	Round Lens 4in	Poly Pk	Clear	----	5-1/2in	Peterson
436-01	Lens Cover Only	Poly Pk	Gray	----	4x1-3/4in	Peterson
436-25	License Lens	Poly Pk	Clear	----	4x1-3/4in	Peterson
B138-15C	Double Bulls-Eye Lens	Bulk Pk	Clear	----	4x2in	Peterson



34-78-021



384-15C



389-15C



390-15



392-25C



410-21



414-15C



436-25



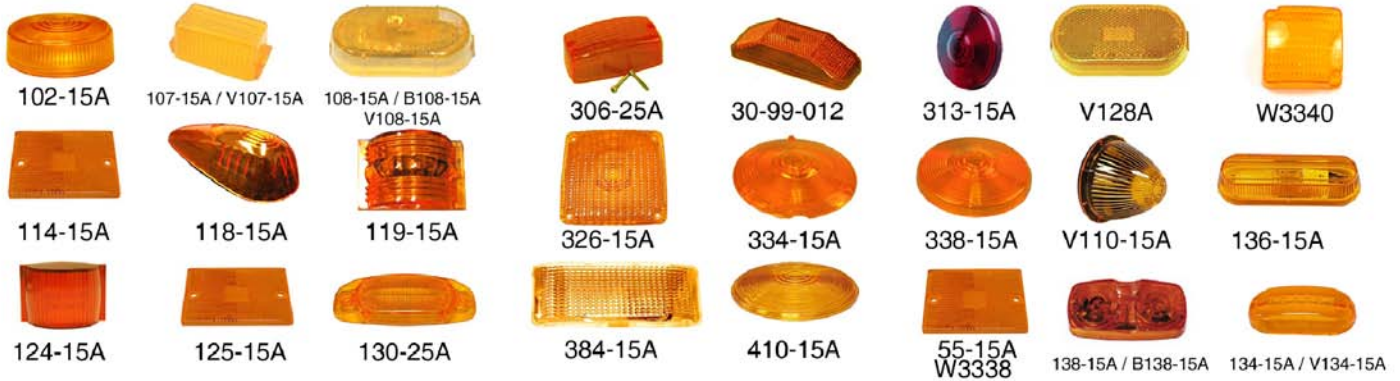
B138-15C



436-01



Lights Lens Covers & Components Amber



A: Size

Item Number	Description	Extra Info	Color	SO	A
100-15A	Round Lens	Poly Pk	Amber		15-1/4x2-1/2in
102-15A	Round Lens	Poly Pk	Amber		2-7/8in
107-15A	Mini Light Lens	Poly Pk	Amber		3-1/4x1in
108-15A	Replacement Lens	Poly Pk	Amber		4-1/8x2in
114-15A	Side Marker Lens	Poly Pk	Amber		2-3/4x2-1/8in
118-15A	Cab Light Lens	Poly Pk	Amber		5-1/2x1-5/8in
119-15A	Clearance Lens	Poly Pk	Amber		4-1/2x2-3/16in
124-15A	Clearance Lens	Poly Pk	Amber		4-7/8x2-1/4in
125-15A	Rectangle Lens	Poly Pk	Amber		3-3/4x2-1/4in
130-25A	Hard Hat Clearance Lens	Poly Pk	Amber		6x2-1/16in
134-15A	Oblong Lens	Poly Pk	Amber		4-1/8x2in
136-15A	Oblong Lens	Poly Pk	Amber		3-1/2x1-1/16in
138-15A	Double Bulls-Eye Lens	Poly Pk	Amber		4x2in
306-25A	Turn Signal Lens	Poly Pk	Amber		4-9/16x2-1/2in
30-99-012	Clearance Lens 99 Series	----	Amber		4-1/16x1-3/8in
313-15A	Replacement Lens	Poly Pk	Amber		4-1/8in
326-15A	Square Lens	Poly Pk	Amber		4-1/2x4-3/4in
334-15A	Round Lens	Poly Pk	Amber		4-1/8in
338-15A	Round Lens	Poly Pk	Amber		4-1/8in
384-15A	Rectangle Lens	Poly Pk	Amber		6-3/8x3-1/2in
410-15A	Flush Mount Lens	Poly Pk	Amber		5-1/2in
55-15A	Side Marker Lens	Poly Pk	Amber		4x2-3/8in
755-15A	Lens Replacement	----	----	Yes	----
756-15A	Lens Replacement	----	----	Yes	----
B108-15A	Oblong Lens	Bulk Pk	Amber		4-1/8x2in
B138-15A	Double Bulls-Eye Lens	Bulk Pk	Amber		4x2in
V107-15A	Replacement Lens	Viz Pk	Amber		3-1/4in
V108-15A	Replacement Lens	Viz Pk	Amber		4-1/8in
V110-15A	Bee Hive Lens	Viz Pk	Amber		1-7/8in
V128A	Oblong Light	Viz Pk	Amber		4-1/8x2in
V134-15A	Vista Lens Pk	Viz Pk	Amber		4-1/8X2in
V2549-15A	Lens Replacement	----	----		----
W222012	Slim Fit Lens	----	Amber	Yes	----
W3340	Clearance Lens	Viz Pk	Amber		2-1/4x2-1/4in



Lights Lens Covers & Components Red

A: Size

Item Number	Description	Extra Info	Color	SO	A
102-15R	Round Lens	Poly Pk	Red		2-7/8in
107-15R	Mini Light Lens	Poly Pk	Red		3-1/4x1in
108-15R	Replacement Lens	Poly Pk	Red		4-1/8x2in
110-15R	Bee Hive Lens	Poly Pk	Red		1-7/8in
114-15R	Side Marker Lens	Poly Pk	Red		2-3/4x2-1/8in
124-15R	Clearance Lens	Poly Pk	Red		4-7/8x2-1/4in
125-15R	Rectangle Lens	Poly Pk	Red		3-3/4x2-1/4in
126-25R	Rectangle Lens	Poly Pk	Red		3-3/4x2-1/4in
130-25R	Hard Hat Clearance Lens	Poly Pk	Red		6x2-1/16in
134-15R	Oblong Lens	Poly Pk	Red		4-1/8x2in
136-15R	Oblong Lens	Poly Pk	Red		3-1/2x1-1/16in
136R	Oblong Clearance Light SM	Poly Pk	Red		3-1/2x1-1/16in
138-15R	Double Bulls-Eye Lens	Poly Pk	Red		4x2in
306-25R	Rectangle Lens	Poly Pk	Red		4-9/16x2-1/2in
30-92-708	License Light	----	Red	Yes	----
30-99-010	Clearance Lens 99 Series	----	Red		4-1/16x1-3/8in
30-99-040	Light Bar Lens	----	Red	Yes	----
313-15BLK	Lens Cover	10 Pk	----	Yes	----
326-15R	Square Lens	Poly Pk	Red		4-1/2x4-3/4in
334-15R	Round Lens	Poly Pk	Red		4-1/8in
338-15R	Round Lens	Poly Pk	Red		4in
34-84-010	Tail Light Lens	----	Red		5-19/32x4-3/16in
34-85-750	Tail Light Lens	----	Red	Yes	----
34-91-713	Tail Light Replacement Lens	----	Red	Yes	----
34-92-012	Tail Light Lens	Bulk Pk	Red		8-9/16x4-9/16in
34-92-708	Tail Light Lens w/Lic Bracket	Bulk Pk	Red		8-9/16x4-9/16in
410-15R	Flush Mount Lens	Poly Pk	Red		5-1/2in
415-15R	Round Lens	Poly Pk	Red		4-1/4in
420-15	Round Lens	Poly Pk	Red		3-3/4in
430-25	Lens Replacement	----	Red	Yes	----
440-15	Wide Combo Lens	Poly Pk	Red		5in
445-25	Universal Tail Lens	Poly Pk	Red		6-1/4x6-3/4in
55-15R	Side Marker Lens TM/SM	----	Red		4x2-3/8in
56-15R	Over80 Side Marker Lens	----	Red		2-3/4x2in
B100-15R	Round Lens	Bulk Pk	Red		2-1/2in
B108-15R	Oblong Lens	----	Red		4-1/8x2in
B138-15R	Double Bulls-Eye Lens	Bulk Pk	Red		4x2in
B457-15	Combo Tail Lens	Bulk Pk	Red		8-13/16x5-1/16in
B457L-15	Tail Lens w/License	Bulk Pk	Red		8-13/16x5-1/16in
V107-15R	Replacement Lens	Viz Pk	Red		3-1/4x1in
V108-15R	Replacement Lens	Viz Pk	Red		4-1/8x2in
V110-15R	Bee Hive Lens	Viz Pk	Red		1-7/8in
V128R	Oblong Light	Viz Pk	Red		4-1/8x2in
V134-15R	Vista Lens	Viz Pk	Red		4-1/8x2in
V420-15	Round Lens	Viz Pk	Red		3-3/4in
V440-15	Replacement Lens	Viz Pk	Red		5x2-7/8in
W3335	Tail Light Lens	----	Red		4-3/4x4-3/4in
W3336	Rectangle Lens Kit	----	Red		8x2-3/4in
W3337	Side Marker Lens	----	Red		2-3/4x2-1/4in
W3342	Over80 Clearance Lens	----	Red		2-3/4x2in
W3372	Wrap-Around Lens LH	Cequent	Red		8x3-1/4in
W3373	Wrap-Around Lens RH	----	Red		8x3-1/4in





Lights Grommets, Plugs, Bulbs & Brackets Brackets

A: Size



Item Number	Description	Extra Info	Color	SO	A	B
142-09	Branch Deflector 2-1/2in	Poly Pk	Steel		5-3/4x3-1/16in	Peterson
150-092	Mounting Bracket 150 Series	Poly Pk	Black		2-7/8x1-1/2in	Peterson
150-095	Mounting Bracket 153 Series	Poly Pk	Black		2-7/8x1-1/2in	Peterson
150-10	Mounting Bracket 150 Series	Poly Pk	Chrome		2-7/8x1-1/2in	Peterson
150-102	Mounting Bracket w/Pigtail 150 Series	Poly Pk	Chrome		2-7/8x1-1/2in	Peterson
152-09	Mounting Bracket	Poly Pk	Black		2-7/8x1-1/2in	Peterson
152-10	Mounting Bracket	Poly Pk	Chrome		2-7/8x1-1/2in	Peterson
154-09K	Mounting Bracket w/Pigtail	Poly Pk	Gray		4-1/16x1-1/16in	Peterson
154-10K	Mounting Bracket	Poly Pk	Chrome		4-1/16x1-1/16in	Peterson
2594	Mounting Bracket	Mfg Pk	Stainless	Yes	2-1/2in	Peterson
421-09	Mounting Bracket	Box Pk	Black		5-15/16x5-7/8in	Buyers
426-09	Round Mounting Bracket 4in	Box Pk	Black		5-15/16x5-7/8in	Peterson
426-10	Module 2 Light Metal Pod	Box Pk	Steel		12-7/8x7-3/4in	Peterson
426-11	Module 3 Light Metal Pod	Box Pk	Steel	Yes	19-13/16x7-3/4in	Peterson
428-09	Universal License Metal Bracket	Box Pk	Steel		8-1/2x2-3/4in	Peterson
440LP	Square Steel Light Protector	----	Black		5-3/4x5-1/4in	Phoenix
45-171	Vinyl Pouch Certificate Holder	----	Clear/Wht		7x4-7/8in	Peterson
46	Round Certificate Holder	Poly Pk	Black		5-7/8x5-3/16in	Peterson
510-9	Mounting Bracket	Mfg Pk	Black		4-1/2x3in	Peterson
B106-09	Chrome Guard	Mfg Pk	Chrome		4-3/4x2-3/8in	Peterson
B10729	L Bracket Fits 143-18 Grommets	----	Black		2-25/32in	Tuff-Tow
B146-09	Branch Deflector 2in 146 Series	Mfg Pk	Gray		4-13/16x2-5/16in	Peterson
B146-091	Dual Face Bracket	Mfg Pk	Black	Yes	2in	Peterson
B154-092	Brush Guard	----	----	Yes	----	----
B154-11K	Mounting Bracket 154 Series	Mfg Pk	Black		4-1/16x1-1/16in	Peterson
B167-09	Mounting Bracket 167 Series	Mfg Pk	Black		3-3/4x4/16in	Peterson
B168-10	Chrome Bezel 168 Series	Mfg Pk	Chrome		3-15/16x1-3/8in	Peterson
B423-11	Bezel	----	Chrome		----	Peterson
B440-09	License Plate Rubber Bracket	Mfg Pk	Black		2-3/4x8in	Peterson
B45	Metal Certificate Holder	Mfg Pk	Aluminum		7-1/4x4-7/8in	Peterson
CP0808	Round Magnet 70# Pull	----	Chrome	Yes	3-1/4in	Custer
CP0885	Round Magnet 120# Pull	----	Chrome	Yes	3-7/8in	
LB3253	Triple Oval Horizontal Light Box	----	Black	Yes	4x25x3-1/2in	Buyers
LB383	Single Oval Light Box	Bulk Pk	Black		3-3/4x8x3in	Buyers
LB383ALDT	Oval Light Box	----	Aluminum	Yes	3x8x3in	Buyers
LB383SL	Single Oval Light Box	----	Black	Yes	----	Buyers
LB6123	Dual Round Light Box	----	Stainless	Yes	----	Buyers
LB6123SST	Dual Round Light Box	----	Stainless	Yes	----	Buyers
LB663	Single Round Light Box	----	Gray		6x6x3in	Buyers
LB8133	Triple Oval Vertical Light Box	----	Gray	Yes	----	Buyers
TBX	Carry Case Replacement	----	----	Yes	----	Custer
V7009	Bezel	Viz Pk	----		4in	Peterson
WP360	Oval Light Bar	----	----	Yes	36in	Custer

Trailer: Electrical & Components



Trailer Electrical & Components



Lights Grommets, Plugs, Bulbs & Brackets Light Bulbs

A: Volts B: Amp

Item Number	Description	Extra Info	Color	A	B
CEC1003	Interior Auto Bulb	10Pk	Clear	12V	0.94
CEC1004	DC Bayonet Bulb	10Pk	Clear	12V	0.94
CEC1034	DC Index Bulb	10Pk	Clear	12V	1.8/0.59
CEC1076	DC Bayonet Bulb	10Pk	Clear	12V	1.8
CEC1139IF	SC Bayonet Bulb	10Pk	Frosted	12V	1.04
CEC1141	SC Bayonet Bulb	10Pk	Clear	12.8V	1.44
CEC1156	SC Bayonet Bulb	10Pk	Clear	12V	2.1
CEC1157	Bayonet Bulb	10Pk	Clear	12/14V	2.1/0.59
CEC1157W	Bayonet Bulb	10Pk	Clear	12/14V	2.1/0.59
CEC1176	DC Bulb	10Pk	Clear	12/14V	1.34/0.59
CEC1414	Mini Bayonet Bulb	10Pk	Clear	14V	0.46
CEC168	Wedge Bulb	10Pk	Clear	14V	0.35
CEC1816	Bayonet Bulb	10Pk	Clear	13V	0.33
CEC1850	Bayonet Bulb	10Pk	Clear	5V	0.45
CEC1895	Bayonet Bulb	10Pk	Clear	14V	0.27
CEC193	Wedge Bulb	10Pk	Clear	14V	0.33
CEC194	Wedge Bulb	10Pk	Clear	14V	0.27
CEC194A	Wedge Bulb	10Pk	Amber	14V	0.27
CEC2057	Index Bulb	10Pk	Clear	12/14V	2.1/0.48
CEC2057NA	Index Bulb	10Pk	Amber	12/14V	2.1/0.48
CEC211	Cone Cap Bulb	10Pk	Clear	12V	0.97
CEC211-2	End Cap Bulb	10Pk	Clear	12V	0.97
CEC2357	Index Bulb	10Pk	Clear	12/14V	2.2/0.59
CEC24	Wedge Bulb	10Pk	Clear	14V	0.24
CEC3022B	Cone Cap Bulb	10Pk	Clear	12V	0.42
CEC3057	Wedge Bulb	10Pk	Clear	12/14V	2.1/0.48
CEC3057NA	Wedge Bulb	10Pk	Amber	12/14V	2.1/0.48
CEC3156	SF Wedge Bulb	10Pk	Clear	12V	2.1
CEC3157	Wedge Bulb	10Pk	Clear	12/14V	2.1/0.59
CEC3157NA	Wedge Bulb	10Pk	Amber	12/14V	2.1/0.59
CEC3175	Cone Cap Bulb	10Pk	Clear	12V	0.83
CEC37	Wedge Bulb	10Pk	Clear	14V	0.09
CEC4157K	Wedge Bulb	10Pk	Clear	12/14V	2.23/0.59
CEC53	Bayonet Bulb	10Pk	Clear	14.4V	0.12
CEC561	Rigid Loop Bulb	10Pk	Clear	12V	0.97
CEC57	Bayonet Bulb	10Pk	Clear	14V	0.24
CEC67	SC Bayonet Bulb	10Pk	Clear	13.5V	0.59
CEC74	Wedge Bulb	10Pk	Clear	14V	0.1
CEC89	SC Bayonet Bulb	10Pk	Clear	13V	0.58
CEC90	DC Bayonet Bulb	10Pk	Clear	13V	0.58
CEC906	Wedge Bulb	10Pk	Clear	13V	0.69
CEC916	Wedge Bulb	10Pk	Clear	12.8V	0.54
CEC921	Wedge HD Bulb	10Pk	Clear	12V	1.4
CEC93	SC Bayonet Bulb	10Pk	Clear	12V	1.04
CEC97	SC Bayonet Bulb	10Pk	Clear	13.5V	0.58
CECK13	Flashlight Bulb	10Pk	Clear	4.75V	0.7
M32P	Bulb Cabinet	---	Black	---	---
VH549	Halogen Bulb 100 Watt	Viz Pk	Clear	12V	---
VH550	Halogen Fog Light Bulb	Viz Pk	Clear	12V	---



Trailer: Electrical & Components



Lights Grommets, Plugs, Bulbs & Brackets Grommets



Item Number	Description	SO	A	B	C
127-18	Flush Mount Grommet	Yes	3-1/2in	----	Peterson
142-18K	Grommet Kit w/Plug		3in	2-1/2in	Peterson
143-18K	Grommet Kit w/Plug		2-25/32in	2-1/2in	Peterson
146-18K	Grommet Kit w/Plug		2-5/16in	2in	Peterson
3004167	Grommet Rubber	Yes	2in	----	Buyers
411-24	Gasket Mounting 413 Ser		5-1/2in	----	Peterson
B142-17	Round Edge Mount Grommet		2-25/32in	2-1/2in	Peterson
B142-18	Round Recs Grommet OD		3in	2-1/2in	Peterson
B143-18	Light Rubber Grommet		2-25-32in	2-1/2in	Peterson
B146-18	Round Flush Mount Grommet		2-5/16in	2in	Peterson
B146-181	Round Open-Back Grommet		2-1/2in	2in	Peterson
B150-18	Flush Mount Grommet		2-9/32in	1-17/32in	Peterson
B150-181	Flush Mount Grommet	Yes	3in	1-41/64in	Peterson
B421-18	Oval Flush Mount Grommet		6-41/64in	2-7/16in	Peterson
B426-18	Round Flush Mount Grommet		4-1/2in	4in	Peterson

A: Hole Size

B: Light Dia.

Plugs & Light Up-Grade



Item Number	Description	Color	A	B
142-49	Plug Leads	Blk/Wht	6in	Peterson
B142-49	ID Bar Harness Leads	Blk/Wht	8in	Peterson
150-49	Plug Leads	Black	18in	Peterson
154-49	Plug Leads	Black	18in	Peterson
411-07	Pigtail Wire Leads	Yellow	10in	Peterson
413-07	2-Wire Pigtail Leads	Red/Br	10in	Peterson
417-48	LED Wire 2-Prong Plug	Red/Wht	10in	Peterson
42-84-410	LED Light Kit Upgrade	Red	6in	Cequent
42-84-412	LED Light Kit Upgrade	Amber	6in	Cequent
42-84-414	LED Light Kit Upgrade	Red	6in	Cequent
42-86-410	LED Light Kit Upgrade	Red	6in	Cequent
42-86-412	LED Light Kit Upgrade	Amber	6in	Cequent
431-491	3-Wire Light Plug	Rd/Blk/Wht	12in	Peterson
B142-49	2-Wire Marker Lamp Plug	Blk/Wht	7in	Peterson
B150-491	Lead Wire	Black	18in	Peterson
B152-49	Molded Female Plug	Black	18in	Peterson
B153-49	LED Wire Plug 153 Ser	Br/Wht	6in	Peterson
B162-49	Plug Leads	Blk/Wht	6in	Peterson
B167-491	LED Plug 90deg 167 SER	Blk/Wht	7in	Peterson
B417-491	LED Wire Adapter Plug	Rd/Blk/Wht	8in	Peterson
B421-49	Right Angle Plug 10-1/2in	Rd/Wht	12in	Peterson
B421-491	Right Angle Plug 10 1/2in	Rd/Blk/Wht	12in	Peterson
B431-49	Straight Plug	Rd/Blk/Wht	10-1/2in	Peterson
B431-491	Straight Plug	Rd/Blk/Wht	10-1/2in	Peterson
V2730	12V Socket Plug Accessories	Black	----	Peterson
V520-10	Fog Lights Wiring Kit	Blk/Wht/Rd/Blu/Grn	----	Peterson

A: Size



Trailer Electrical & Components



Lights Grommets, Plugs, Bulbs & Brackets Plugs & Light Up-Grade

**LED Upgrade Kits #84/85
& #86 Series**

**42-84-410
42-84-412
42-84-414**



Quick and simple LED upgrade kit for existing #84 series tail lights. Remove the bulb and lens, replace with new LED module and instantly have LED red stop/tail/turn lights, amber turn lights, clear backup lights or clear backup w/reflex lights. Installation can be completed in minutes with only a screwdriver required. Note: Amber modules and amber turn lights meet FMVSS/CMVSS 108 requirements for trailer over 80" width.

42-86-412



Quick and simple LED upgrade kit for existing #86 series wrap-around clearance/side marker lights. Remove and discard only the wedge base socket and bulb, replace with a new LED module and instantly have LED clearance/side marker lights.



Trailer Electrical & Components



Peterson Heavy Duty Application Guide



VEHICLE SAFETY LIGHTING SYSTEMS & ACCESSORIES

HEAVY DUTY APPLICATION GUIDE

BETTER IDEAS ON THE MOVE

Trailer: Electrical & Components



Trailer Electrical & Components



Peterson Heavy Duty Application Guide

Contents

Clearance/Side Marker Lights	
LED & Incandescent Red	2
LED Incandescent Amber	3
LED 3-Light ID Bars	
Red	2
Amber	3
Stop, Turn & Tail Lights	
LED	4
Incandescent	5
Rear Combo Lights — LED & Incandescent	5
Rear Turn Signals — LED & Incandescent	6
Aux Mid-Turn / Markers — LED & Incandescent ...	7
Strobing LEDs	
Multifunction Turn Signals w/ Strobe Function	7
Aux. Strobing Warning Lights	7
Strobing Emergency Beacons	7
Flasher Unit	7
License Lights — LED & Incandescent	8
Work Lights — Halogen, LED, & HID	8
Back-Up Lights — LED & Incandescent	9
Reflectors	9
Conspicuity Tape	9
Electrical Connectors	10
Mounting Grommets	10
Mounting Brackets	11
Theft Deterrent Rings	11
Replacement Lenses	11
Termination Options	5
NHTSA Equipment Diagrams & Descriptions	
Trailers	12–13
Trucks	14–16

North American Limited Warranty

Peterson Incandescent Lights

Incandescent lights manufactured by Peterson Mfg. Co. ("the manufacturer") are warranted to the original purchaser against defects in material and/or workmanship for ONE (1) YEAR from the date of shipment from the manufacturer.

Peterson LED Lights

Peterson LED lights are warranted by the manufacturer to the original purchaser against defects in material and/or workmanship for either ONE (1) or THREE (3) YEARS from the date of shipment from the manufacturer, as noted in individual product specifications.



PIRANHA® LED Lights

LED lights sold under the PIRANHA® brand are warranted by the manufacturer to the original purchaser against defects in material and/or workmanship for FIVE (5) YEARS from the date of shipment from the manufacturer, or as noted in individual product specifications.

Parts & Accessories

Parts and accessories other than complete light assemblies are warranted by the manufacturer to the original purchaser against defects in material and/or workmanship for NINETY (90) DAYS from the date of shipment from the manufacturer.

Exclusions

The above limited warranty shall not apply under the following conditions:

- Failure to notify the manufacturer of the defect within the warranty period.
- Failure to install, operate and maintain the product in accordance with the manufacturer's recommendations and standard industry practices.

- The product is damaged due to accident, abuse, misuse, improper installation, unauthorized modification or exposure to incompatible cleaners or solvents.
- Lighting products are not installed as part of a totally sealed wiring system.
- Product failure is caused by the defect or malfunction of equipment or component(s) not manufactured by Peterson Mfg. Co.

In no circumstance shall the above warranty be extended to third parties except those performed by or on behalf of PM authorized distributors.

This warranty allows only for repair or replacement of the defective part, or refund of the purchase price, at the sole discretion of the manufacturer. The manufacturer is not liable for other incidental or consequential damages. The manufacturer makes no warranty regarding the fitness of its products any particular purpose.

Warranty claims require examination of the unserviceable part(s) by Peterson Mfg. Co. or an expressly designated agent. Refund, acceptance, return or exchange of unserviceable parts by other parties, including Peterson dealers and/or resellers, does not constitute a determination on behalf of Peterson Mfg. Co. that such part is deemed warrantable.

Any implied warranties are limited to the specified warranty period.

This warranty gives you specific legal rights. You may also have other rights which vary from state to state and country to country. Some jurisdictions do not allow limitations on the duration of implied warranties, so some of the above limitations may not apply to you.

Trailer: Electrical & Components



Peterson Heavy Duty Application Guide

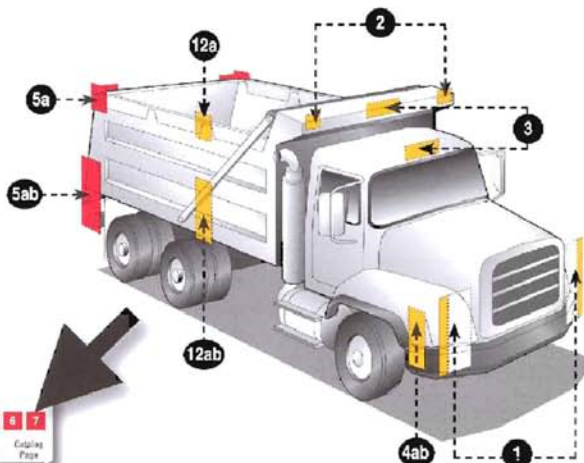
HOW TO USE THIS GUIDE

WHAT DO THOSE NUMBERS MEAN?

Throughout this catalog, you will see reference numbers in colored circles (for trucks) and squares (for trailers). These numbers are specific vehicle lighting location codes featured on diagrams developed by the National Highway Transportation Safety Administration (NHTSA) to illustrate Federally-required lighting equipment for a variety of trucks and trailers.

The header for each category of Peterson lights listed in this application guide calls out the NHTSA location code(s) applicable to that category of light. By using the diagrams in the back of this guide together with the product guide on the following pages, choosing the proper Peterson light for every vehicle need is quick and easy.

Notice that that numbers are used differently for trucks than for trailers. Also, pay attention to special exceptions and qualifications that may be called out for a particular product.



LED REAR CLEARANCE/SIDE MARKER LIGHTS

Application	Part #	Description	Catalog Page
Truck: 5, 6, 7	M50R	LED Green/Amber 2.5" Dia.	
Trailer: 1, 2, 3, 4	M50		



YOU CAN USE THIS GUIDE 2 WAYS:

A. Choose a light...

...by browsing the selection of Peterson's most popular offerings on the following pages, then referring to the NHTSA vehicle lighting requirements on pages 12-16 to determine where and how that light may be used on your particular vehicle.

OR

B. Start with a truck or trailer type...

...from the NHTSA vehicle diagrams on pages 14-15 (trucks) and 12 (trailers). Then, check out the selection of high-quality Peterson products on pages 2-11 that are specially-designed to match your vehicle's lighting requirements.



Peterson Heavy Duty Application Guide

LED REAR CLEARANCE/SIDE MARKER LIGHTS

Truck: 5* 6 7	Trailer: 3* 6 7	Appearance	Part #	Description	Catalog Pg.
			153R [♦] M153R*	Grommet/bracket 2.50" long	6
			161R [♦] M161R*	Bracket mount 4.17" long	7
			162R [♦] M162R*	Grommet mount 2.50" dia. (162) or	8 / 10
			164R [♦] M164R*	2.00" dia. (164)	
			163R [♦] M163R*	PC rated Grommet mount	9 / 11
			165R [♦] M165R*	2.50" dia. (163) or 2.00" dia. (165)	
			168R [♦] M168R*	Hardwired Surface mount 2.75" long	12
			M171R*	Hardwired Grommet mount 0.75" dia.	PM-S109 4
			172R [♦] M172R*	Grommet mount 2.50" / 2.00" dia.	14
			174R [♦] M174R*		
			173R [♦] M173R	Integral reflex Grommet mount 2.50" diameter	PM-S109 5
			176KR [♦] M176R*	PC rated Hardwired (*-KR" incl. grommet)	PM-S109 5
			M177R*	0.75" dia.	
			M178R*	Hardwired Grommet mount 4.75" long	14
			187R [♦] M187R	Integral reflex PC Rated Hardwired Surface mount	15
			188R [♦] M188R	Integral reflex Hardwired Surface mount 6.00" long	15

♦ Packaged in Poly Bag imprinted with part number and LPC code. Standard order quantities for Poly Pack versions are typically lower than Manufacturer Pack quantities (listed with "A" or "B" prefix).

INCANDESCENT REAR CLEARANCE/SIDE MARKER LIGHTS

Truck: 5* 6 7	Trailer: 3* 6 7	Appearance	Part #	Description	Catalog Pg.
			108WR [♦] M108WR	Integral reflex Single wire Surface mount 4.13" long	34
			135R [♦] M135R*	PC rated Single wire Surface mount 4.13" long	41
			138R [♦] M138R*	PC rated Single wire Surface mount 4.00" long	42
			142R [♦] M142R*	PC rated Grommet mount 2.50" diameter	43
			143R [♦] M143R	Integral reflex Grommet mount 2.50" diameter	43
			146R [♦] M146R*	PC rated Grommet mount 2.00" diameter	44
			150R [♦] M150R*	PC rated Grommet/bracket 2.50" long	46
			154R [♦] M154R*	PC rated Grommet mount 4.17" long	48

LED REAR 3-LIGHT IDENTIFICATION BAR

Truck: 7	Trailer: 7	Appearance	Part #	Description	Catalog Pg.
			160-3R	Extruded aluminum Surface mount on 6.00" centers 16.75" long	16
			169-3R [♦] M169-3R	Surface mount on 8.50" centers 16.19" long	16

* When using lights without reflex feature at this lighting position (as defined in NHTSA guidelines), the vehicle will require additional reflex reflectors to meet all legal requirements. Refer to the comprehensive NHTSA technical reference on pages 12-16 for more information.



Peterson Heavy Duty Application Guide

LED FRONT/MID CLEARANCE/SIDE MARKER LIGHTS

Truck: **2** **3** **4*** **12*** Trailer: **4*** **5*** **8**

Appearance	Part #	Description	Catalog Pg.
	153A ^o M153A*	Grommet/bracket 2.50" long	6
	161A ^o M161A*	Bracket mount 4.17" long	7
	162A ^o M162A*	Grommet mount 2.50" / 2.00" dia.	8 / 10
	164A ^o M164A*	Grommet mount 2.50" / 2.00" dia.	8 / 10
	163A ^o M163A*	PC rated Grommet mount 2.50" / 2.00" dia.	9 / 11
	165A ^o M165A*	PC rated Grommet mount 2.50" / 2.00" dia.	9 / 11
	168A ^o M168A*	Hardwired Surface mount 2.75" long	12
	171A ^o M171A*	Hardwired Grommet mount 0.75" dia.	PM-S109 4
	172A ^o M172A*	Grommet mount 2.50" / 2.00" dia.	14
	174A ^o M174A*	Grommet mount 2.50" / 2.00" dia.	14
	173A ^o M173A	Integral reflex Grommet mount 2.50" diameter	PM-S109 5
	176KA ^o M176A*	PC rated Hardwired ("KA" incl. grommet) 0.75" dia.	PM S109 5
	M177A*	Hardwired Grommet mount 0.75" dia.	5
	M178A*	Hardwired Grommet mount 4.75" long	14
	187A ^o M187A	Integral reflex PC Rated Hardwired Surface mount	15
	188A ^o M188A	Integral reflex Hardwired Surface mount 6.00" long	15

INCANDESCENT FRONT/MID CLEARANCE/SIDE MARKER LIGHTS

Truck: **2** **4*** **12*** Trailer: **4*** **5*** **8**

Appearance	Part #	Description	Catalog Pg.
	108WA ^o M108WA	Integral reflex Single wire Surface mount 4.13" long	34
	135A ^o M135A*	PC rated Single wire Surface mount 4.13" long	41
	138A ^o M138A*	PC rated Single wire Surface mount 4.00" long	42
	142A ^o M142A*	PC rated Grommet mount 2.50" diameter	43
	143A ^o M143A	Integral reflex Grommet mount 2.50" diameter	43
	146A ^o M146A*	PC rated Grommet mount 2.00" diameter	44
	150A ^o M150A*	PC rated Grommet/bracket 2.50" long	46
	154A ^o M154A*	PC rated Grommet mount 4.17" long	48

LED FRONT 3-LIGHT IDENTIFICATION BAR

Truck: **3**

Appearance	Part #	Description	Catalog Pg.
	M169-3A	Surface mount on 8.50" centers 16.19" long	16

^o Packaged in Poly Bag imprinted with part number and UPC code. Standard order quantities for Poly Pack versions are typically lower than Manufacturer Pack quantities (listed with "M" or "B" prefix).

* When using lights without reflex feature at this lighting position (as defined in NHTSA guidelines), the vehicle will require additional reflex reflectors to meet all legal requirements. Refer to the comprehensive NHTSA technical reference on pages 12-16 for more information.



Peterson Heavy Duty Application Guide

LED REAR STOP, TURN & TAIL LIGHTS

Truck: **8*** **6†**

Trailer: **1*** **6†**

Appearance	Part #	Description	Catalog Pg.
	M417R* M417R-P*	36 diode hardwired ("P" with plug) Grommet mount 4.25" diameter	16
	M418R* M418R-P*	36 diode hardwired ("P" with plug) Flange mount 5.50" diameter	16
	M417R-2* M417R-2P*	10 diode hardwired ("P" with plug) Grommet mount 4.25" diameter	17
	M418R-2* M418R-2P*	10 diode hardwired ("P" with plug) Flange mount 5.50" diameter	17
	M417R-2C*	Clear lens 10 diode hardwired Grommet mount 4.25" diameter	PM-S109 2
	M418R-2C*	Clear lens 10 diode hardwired Flange mount 5.50" diameter	PM-S109 2
	M417R-3* 417R-3P* M417R-3P*	7 diode hardwired ("P" with plug) Grommet mount 4.25" diameter	17
	M418R-3* 418R-3P* M418R-3P*	7 diode hardwired ("P" with plug) Flange mount 5.50" diameter	17
	417R-5* M417R-5* 417R-5P* M417R-5P*	8 diode hardwired Grommet mount 4.25" diameter	PM-S109 2
	417CR-5* M417CR-5*	Clear lens 8 diode hardwired Flange mount 4.25" diameter	PM-S109 2
	717R*	20 diode hardwired Surface mount 7.00" diameter	31

LED REAR STOP, TURN & TAIL LIGHTS (cont.)

Truck: **8*** **6†**

Trailer: **1*** **6†**

Appearance	Part #	Description	Catalog Pg.
	817R-3* M817R-3*	7 diode w/ AMP receptacle Grommet mount 4.25" diameter	NEW!
	818R-3* M818R-3*	7 diode w/ AMP receptacle Flange mount 5.50" diameter	NEW!
	M817CR-3*	Clear lens 7 diode w/ AMP receptacle Grommet mount 4.25" diameter	NEW!
	M818CR-3*	Clear lens 7 diode w/ AMP receptacle Flange mount 5.50" diameter	NEW!
	M420R-2* M420R-2P*	10 diode hardwired ("P" with plug) Grommet mount 6.50" long	18
	M420R-3* 420R-3P* M420R-3P*	7 diode hardwired ("P" with plug) Grommet mount 6.50" long	19
	M423R-3* 423R-3P* M423R-3P*	7 diode w/ plug ("P" with plug) Flange mount 7.88" long	19
	420R-5* M420R-5* 420R-5P* M420R-5P*	8 diode hardwired ("P" with plug) Grommet mount 6.50" long	PM-S109 3
	423R-5* M423R-5*	8 diode hardwired Flange mount 7.88" long	PM-S109 3
	420CR-5* M420CR-5*	Clear lens 8 diode hardwired Grommet mount 6.50" long	PM-S109 3
	850R-1*	10 diode hardwired Grommet mount 5.30" tall	NEW!

* When using lights without reflex feature at this lighting position (as defined in NHTSA guidelines), the vehicle will require additional reflex reflectors to meet all legal requirements. Refer to the comprehensive NHTSA technical reference on pages 12-16 for more information.

♦ Packaged in Poly Bag imprinted with part number and UPC code. Standard order quantities for Poly Pack versions are typically lower than Manufacturer Pack quantities (listed with "M" or "B" prefix).

† Many vehicles are manufactured with two stop, turn & tail lights per side on the rear. The outer lamp fulfills the rear clearance lamp function.



Peterson Heavy Duty Application Guide

INCANDESCENT REAR STOP, TURN & TAIL LIGHTS

Truck: **8*** **6†** Trailer: **1*** **6†**

Appearance	Part #	Description	Catalog Pg.
	M421R*	Grommet mount 6.50" long	64
	421KR** M421KR*	w/ grommet & plug Grommet mount 6.50" long	64
	M424R*	Long-life bulb Flange mount 5.50" diameter	66
	426R** M426R*	Long-life bulb Grommet mount 4.25" diameter	66
	426KR** M426KR*	w/ grommet & plug Long-life bulb Grommet mount 4.25" diameter	66
	M427R	Integral reflex Grommet mount 4.25" diameter	67
<i>Not compliant for use on vehicles over 80" wide unless used in pairs per side.</i>			
	431R** M431R*	Grommet mount 4.25" diameter	68
	M431KR*	w/ grommet & plug Grommet mount 4.25" diameter	68

LED REAR COMBINATION STOP, TURN & TAIL/BACK-UP/LICENSE LIGHT

Truck: **8** **9** **10** Trailer: **1** **2**

Appearance	Part #	Description	Catalog Pg.
	845	Integral reflex Stud mount 6.75" tall	NEW!
	845L	Integral reflex License light Stud mount 6.75" tall	NEW!

INCANDESCENT REAR COMBINATION STOP, TURN & TAIL/BACK-UP/LICENSE LIGHT

Truck: **8** **9** **10** Trailer: **1** **2**

Appearance	Part #	Description	Catalog Pg.
	445	Integral reflex Stud mount 6.75" tall	69
	445-PKD	Packard-style plug Integral reflex Stud mount 6.75" tall	69

♦ Packaged in Poly Bag imprinted with part number and UPC code. Standard order quantities for Poly Pack versions are typically lower than Manufacturer Pack quantities (listed with "M" or "B" prefix).

* When using lights without reflex feature at this lighting position (as defined in NHTSA guidelines), the vehicle will require additional reflex reflectors to meet all legal requirements. Refer to the comprehensive NHTSA technical reference on pages 12-16 for more information.

† Many vehicles are manufactured with two stop, turn & tail lights per side on the rear; the outer lamp fulfills the rear clearance lamp function.

PETERSON LIGHTS ARE AVAILABLE WITH THIS WIDE RANGE OF TERMINATION OPTIONS — ASK FOR COMPLETE DETAILS.

Stripped leads 	Stripped leads with ring terminal on ground wire 	.180 Bullets 	Bullet(s) with ring terminal on ground wire
Incandescnt Adapter PL3 or PL10 	Tyco AMP Superseal 	Delphi Packard 	Deutsch



Peterson Heavy Duty Application Guide

LED REAR TURN SIGNAL

Truck: 8*	Trailer: 1*	Appearance	Part #	Description	Catalog Pg.
		M417TA*	36 diode hardwired Grommet mount 4.25" diameter	22	
		M418TA*	36 diode hardwired Flange mount 5.50" diameter	22	
		M417TA-2* M417TA-2P*	10 diode hardwired (*P" with plug) Grommet mount 4.25" diameter	PM-S109 1	
		M417TA-2C*	Clear lens 36 diode hardwired Grommet mount 4.25" diameter	NEW!	
		M418TA-2*	10 diode hardwired Flange mount 5.50" diameter	PM-S109 1	
		M418TA-2C*	Clear lens 10 diode hardwired Flange mount 5.50" diameter	NEW!	
		M420TA-2* M420TA-2P*	10 diode hardwired (*P" with plug) Grommet mount 6.50" long	PM-S109 1	
		M423TA-2*	10 diode hardwired Flange mount 7.88" long	PM-S109 1	
		M417TA-5* M417TA-5P*	8 diode hardwired (*P" with plug) Grommet mount 4.25" diameter	NEW!	
		M418TA-5* M418TA-5P*	8 diode hardwired (*P" with plug) Flange mount 5.50" diameter	NEW!	
		M420TA-5*	8 diode hardwired Grommet mount 6.50" long	NEW!	

LED REAR TURN SIGNAL (cont.)

Truck: 8*	Trailer: 1*	Appearance	Part #	Description	Catalog Pg.
		M423TA-5*	8 diode hardwired Flange mount 7.88" long	NEW!	
		717A*	20 diode hardwired Surface mount 7.00" diameter	31	
		850A-1*	10 diode hardwired Grommet mount 5.30" tall	NEW!	

INCANDESCENT REAR TURN SIGNALS

Truck: 8*	Trailer: 1*	Appearance	Part #	Description	Catalog Pg.
		421A* M421A*	Grommet mount 6.50" long	58	
		421KA* M421KA*	w/ grommet & plug Grommet mount 6.50" long	58	
		426A* M426A*	Long-life bulb Grommet mount 4.25" diameter	59	
		426KA*	Long-life bulb w/ grommet & plug Grommet mount 4.25" diameter	59	
		431A* M431A*	Grommet mount 4.25" diameter	60	
		M431KA*	w/ grommet & plug Grommet mount 4.25" diameter	60	
		M450A	Grommet mount 5.30" tall	60	

♦ Packaged in Poly Bag imprinted with part number and UPC code. Standard order quantities for Poly Pack versions are typically lower than Manufacturer Pack quantities (indicated with "M" or "B" prefix).




* When using lights without reflex feature at this lighting position (as defined in NHTSA guidelines), the vehicle will require additional reflex reflectors to meet all legal requirements. Refer to the comprehensive NHTSA technical reference on pages 12-16 for more information.



Peterson Heavy Duty Application Guide




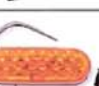


LED INTERMEDIATE SIDE MARKER LIGHTS W/ AUXILIARY MID TURN

Truck: **12*** Trailer: **5***

Appearance	Part #	Description	Catalog Pg.
	M350A	Integral reflex 10 diode hardwired Grommet mount 6.50" long	23
	M354A-AMP	California compliant Integral reflex Grommet mount 6.50" long	NEW!
	M354AF-AMP	California compliant Integral reflex Flange mount 7.88" long	NEW!


LED MULTIFUNCTION TURN SIGNALS W/ AUXILIARY STROBING HAZARD LIGHT

Truck: **8*** Trailer: **1***

Appearance	Part #	Description	Catalog Pg.
	4343A-1 / 2/3/4	Hardshell connectors 36 diode hardwired Grommet mount 4.25" diameter	30
	4343A-1X /2X/3X /4X	Stripped leads & plug 36 diode hardwired Grommet mount 4.25" diameter	30
	4353A-1 / 2/3/4	Hardshell connectors 22 diode hardwired Grommet mount 6.50" long	PM-S109 10
	4353A-1X /2X/3X /4X	Stripped leads & plug 22 diode hardwired Grommet mount 6.50" long	PM-S109 10
	4344A-1 / 2/3/4	Recepticle & lead 10 diode hardwired Grommet mount 4.25" diameter	NEW!
	8344A-1 / 2/3/4	Twin receptacles 10 diode hardwired Grommet mount 4.25" diameter	NEW!

INCANDESCENT INTERMEDIATE SIDE MARKER LIGHT W/ AUXILIARY MID TURN

Truck: **12*** Trailer: **5***

Appearance	Part #	Description	Catalog Pg.
	352A ² M352A	California compliant Integral reflex Grommet mount 6.50" long	57



LED STROBING AUXILIARY HAZARD WARNING LIGHTS

No applicable NHTSA requirement


Appearance	Part #	Description	Catalog Pg.
	420SA-1 & 420SA-2	Strobing LED Grommet mount 6.50" long	28
	423SA-1 & 423SA-2	Strobing LED Flange mount 6.50" long	28
	4458A	LED mid marker w/ aux. turn & strobe Grommet mount 6.50" long	31

LED STROBING EMERGENCY BEACONS

No applicable NHTSA requirement

Appearance	Part #	Description	Catalog Pg.
	767A-2 767A-3	Hardwired SAE Class 2 or 3 5.88" dia. x 4.50" tall	29
	764A	16 diode hardwired 5.06" dia. x 3.75" tall	NEW!

SOLID-STATE FLASHER UNIT

Appearance	Part #	Description	Catalog Pg.
	5000	LED compatible 12V & 24V Surface mount 3.25" long	133

♦ Packaged in Poly Bag imprinted with part number and UPC code. Standard order quantities for Poly Pack versions are typically lower than Manufacturer Pack quantities (listed with "M" or "B" prefix).

* When using lights without reflex feature at this lighting position (as defined in NHTSA guidelines), the vehicle will require additional reflex reflectors to meet all legal requirements. Refer to the comprehensive NHTSA technical reference on pages 12-16 for more information.



Peterson Heavy Duty Application Guide

LED WORK LIGHTS

No applicable NHTSA requirement

Appearance	Part #	Description	Catalog Pg.
	907 [♠] M907	10 diode Round pattern 4.25" dia. lens	PM-S139 9
	911-MV	Alloy housing 6 diode 4.25" dia. lens	NEW!
	916S	Alloy swivel mount On/off switch Round pattern 8.60" tall	PM-S109 9

HID WORK LIGHTS

No applicable NHTSA requirement

Appearance	Part #	Description	Catalog Pg.
	514	Alloy housing 3.94" x 3.94" x 6.18"	PM-S109 14
	515	Polymer housing 5.50" x 5.50" x 7.00"	NEW!

HALOGEN WORK LIGHTS

No applicable NHTSA requirement

Appearance	Part #	Description	Catalog Pg.
	507 [♠] M507	Rubber housing Trapezoid pattern PAR 36 beam 4.75" diameter	90
	M509	Rubber housing Trapezoid pattern H9411 beam 6.88" wide	91
	516S	Alloy swivel mount On/off switch Trapezoid PAR 36 8.60" tall	PM-S109 14

LED LICENSE LIGHTS

Truck: **10**

Trailer: **2**

Appearance	Part #	Description	Catalog Pg.
	153C-P [♠] M153C-P	1 diode hardwired Grommet/bracket 2.50" long	26
	M153C-MV	Multi-volt Grommet/bracket 2.50" long	26
	M294C	Single side light legal With pedestal spacer Surface mount 2.56" wide	NEW!
	M296C	Surface mount 4.00" wide	NEW!
	M298C	Snap-in mount 1.50" diameter	NEW!

INCANDESCENT LICENSE LIGHTS

Truck: **10**

Trailer: **2**

Appearance	Part #	Description	Catalog Pg.
	150C [♠] M150C	Grommet/bracket 2.50" long	81
	436 [♠] M436	Surface mount 4.00" wide	84
	438 [♠] M438	Snap-in mount 1.50" diameter	85

CONSPICUITY TAPE

Truck: **14**

Trailer: **10 11 12**

Appearance	Part #	Description	Catalog Pg.
	465-1	Red/White 2" wide x 150-foot continuous roll	135

[♠] Packaged in Poly Bag imprinted with part number and UPC code. Standard order quantities for Poly Pack versions are typically lower than Manufacturer Pack quantities (listed with "M" or "B" prefix).



Peterson Heavy Duty Application Guide

LED BACK-UP LIGHTS

Truck: **9**

Appearance	Part #	Description	Catalog Pg.
	417C-P [‡] M417C-P	26 diode Hardwired w/ plug Grommet mount 4.25" diameter	26
	418C-P [‡] M418C-P	16 diode Hardwired w/ plug Flange mount 5.50" diameter	26
	M417C-1P	1 diode Hardwired w/ plug Grommet mount 4.25" diameter	PM-S109 7
	M420C-5 M420C-5P	8 diode hardwired ("P" with plug) Grommet mount 6.50" long	NEW!
	M420HC-1P	Horizontal orientation 1 diode Grommet mount 6.50" long	PM-S109 7
	M420VC-1P	Vertical orientation 1 diode Grommet mount 6.50" tall	PM-S109 7
	717C	20 diode hardwired Surface mount 7.00" diameter	PM-S109 7
	850C-1 [‡]	20 diode hardwired Grommet mount 5.30" tall	PM-S109 8

INCANDESCENT BACK-UP LIGHTS

Truck: **9**

Appearance	Part #	Description	Catalog Pg.
	415 [‡] M415	Long-life bulb Grommet mount 4.25" diameter	78
	415K [‡]	w/ grommet & plug Long-life bulb Grommet mount 4.25" diameter	78
	M416	w/ grommet & plug Grommet mount 6.50" long	79
	416K [‡]	Grommet mount 6.50" long	79
	M431C	Grommet mount 4.25" diameter	79
	M431KC	w/ grommet & plug Grommet mount 4.25" diameter	79
	M450C	w/ red reflex Grommet mount 5.30" tall	79

AMBER REFLEX REFLECTORS

Truck: **4[†]** **12[†]**

Trailer: **4[†]** **5[†]**

Appearance	Part #	Description	Catalog Pg.
	B490A	Self-adhesive 2.88" diameter	137
	B491A	Self-adhesive 4.31" long	137

RED REFLEX REFLECTORS

Truck: **5[†]** **8[†]**

Trailer: **1[†]** **3[†]**

Appearance	Part #	Description	Catalog Pg.
	B490R	Self-adhesive 2.88" diameter	137
	B491R	Self-adhesive 4.31" long	137

[‡] Packaged in Poly Bag imprinted with part number and UPC code. Standard order quantities for Poly Pack versions are typically lower than Manufacturer Pack quantities (listed with "M" or "B" prefix).

[†] Reflectors provide only the reflex feature required for this equipment position (as defined in NHTSA guidelines). Refer to the comprehensive NHTSA technical reference on pages 12-16 for more information.



Peterson Heavy Duty Application Guide

ELECTRICAL CONNECTORS

Appearance	Part #	Description	Catalog Pg.
	142-49 ^o B142-49	Right-angle, 2-wire plug for incandescent C/M lights	118
	153-49 ^o B153-49	Right-angle, 2-wire plug for 1152, 153, 154, & 161 series lights	119
	160-49 ^o B160-49	Right-angle, 2-wire plug for 155, 157, 160 series lights	119
	162-49 ^o B162-49	Right-angle, 2-wire plug for non-hardwired LED C/M lights	120
	417-48 ^o B417-48	2-wire plug for non-hardwired LED lights	121
	417-481 ^o B417-481	2-wire adaptor from LED to incandescent style plug	121
	417-49 ^o B417-49	3-wire plug for non-hardwired LED lights	122
	417-491 ^o B417-491	3-wire adaptor from LED to incandescent style plug	122
	421-49 ^o B421-49	Right-angle 2-wire plug for incandescent turn signal and back-up lights	123
	421-491 ^o B421-491	Right-angle 3-wire plug for incandescent stop/turn/tail lights	123
	431-49 ^o B431-49	Straight 2-wire plug for incandescent turn signal and back-up lights	123
	431-491 ^o B431-491	Straight 3-wire plug for incandescent stop/turn/tail lights	123

MOUNTING GROMMETS

Appearance	Part #	Description	Catalog Pg.
	142-18 ^o B142-18	Flush mount Fits 2.50" diameter lights	104
	143-18 ^o B143-18	Fits 2.50" diameter lights	104
	146-18 ^o B146-18	Fits 2.00" diameter lights	105
	B150-18	Fits 150, 152 & 153 series lights	108
	B177-18	Fits 171, 176 & 177 series lights	PM-S109 15
	177-186 ^o	Quantity 6 per pack Fits 171, 176 & 177 series lights	PM-S109 15
	421-18 ^o B421-18	Fits standard oval lights	112
	426-18 ^o B426-18	Fits 4.25" diameter lights	114

THEFT DETERRENT RINGS

Appearance	Part #	Description	Catalog Pg.
	B7005S	Stainless steel Fits 2.00" round flange-mount lights	116
	B7007S	Stainless steel Fits 2.50" round flange-mount lights	116
	B7009S	Stainless steel Fits 4.00" round flange-mount lights	116
	B7011S	Stainless steel Fits oval flange-mount lights	116

^o Packaged in Poly Bag imprinted with part number and UPC code. Standard order quantities for Poly Pack versions are typically lower than Manufacturer Pack quantities (listed with "M" or "B" prefix)



Peterson Heavy Duty Application Guide

MOUNTING BRACKETS

Appearance	Part #	Description	Catalog Pg.
	150-095° B150-095	Surface mount Fits 153 series Fits 150 series with 142-49 plug	107
	150-14° B150-14	Hooded license light bracket Fits 150C, 153C, 153C-MV	108
	154-09K	Surface mount Fits 154 and 161 Includes terminal pad Gray	109
	154-10K	Surface mount Fits 154 and 161 Includes terminal pad Chrome	109
	154-11K	Surface mount Fits 154 and 161 Includes terminal pad Black	109
	B168-10	Chrome finish Surface mount Fits all 168-series	111
	B176-09	Rigid plastic Snaps 171/176/177 series lights into place	PM-S109 15
	B176-09X	Chrome finish Similar to 176-09 above	PM-S109 15
	176-10° B176-10	Surface mount Impact protection 171/176/177 series Requires grommet	PM-S109 15
	176-11 176-12	Allows 171/176/177 series to replace existing 2" (176-11) or 2.5" (176-12) lights	PM-S109 17
	B178-10	Chrome finish Surface mount Fits all 178-series	111

REPLACEMENT LENSES

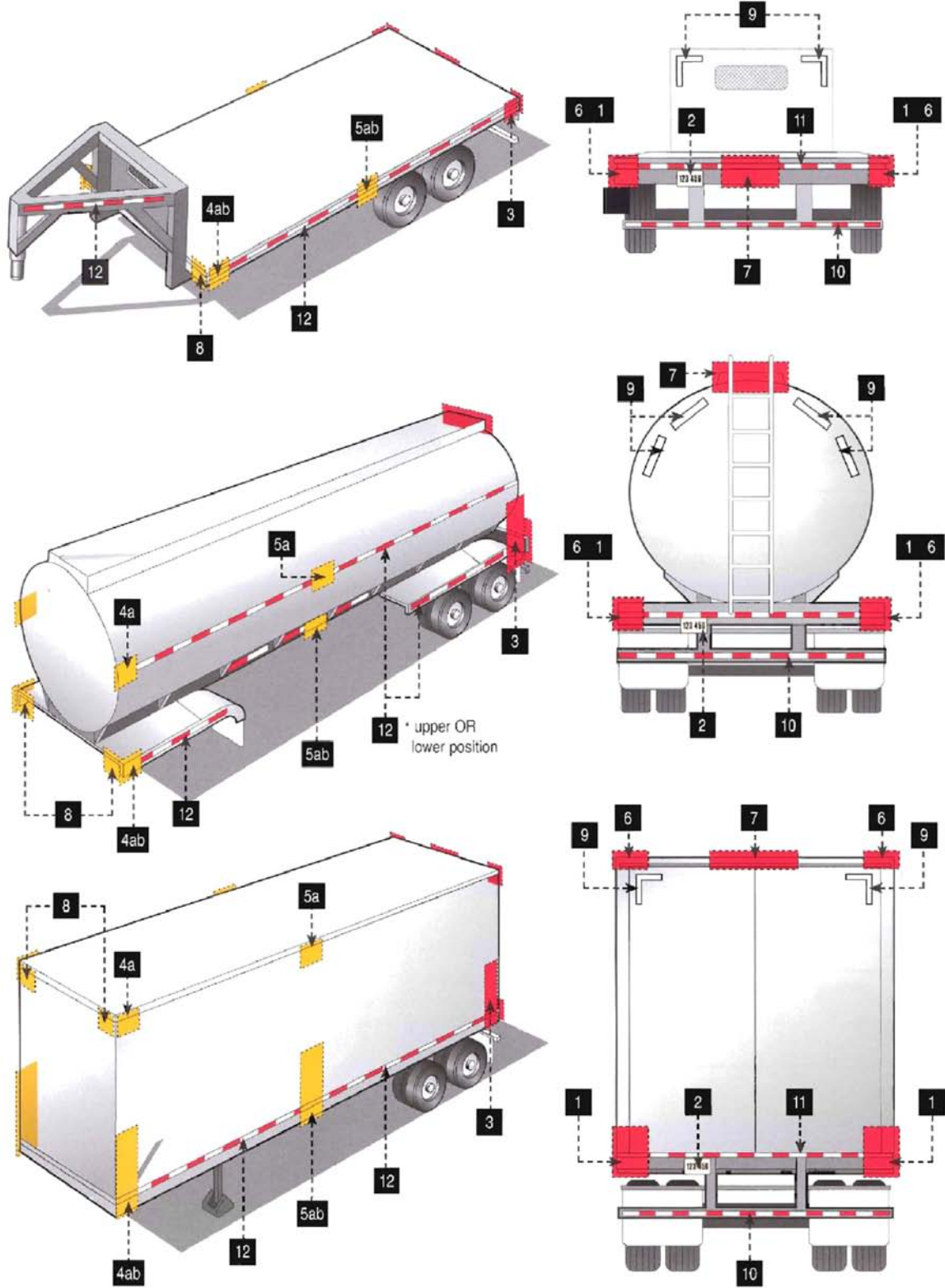
Appearance	Part #	Description	Catalog Pg.
	108-15A° B108-15A	Fits 108WA	173
	108-15R° B108-15R	Fits 108WR	173
	134-15A° B134-15A	Fits 135A	173
	134-15R° B134-15R	Fits 135R	173
	138-15A° B138-15A	Fits 138A	173
	138-15R° B138-15R	Fits 138R	173



♦ Packaged in Poly Bag imprinted with part number and UICP code. Standard order quantities for Poly Pack versions are typically lower than Manufacturer Pack quantities (listed with "M" or "B" prefix).



Peterson Heavy Duty Application Guide



Trailer: Electrical & Components



Peterson Heavy Duty Application Guide

IMPORTANT NOTE: Every lamp, reflex reflector, and conspicuity treatment must be permanently attached in the location specified below and must comply with all applicable requirements prescribed for it by FMVSS/CMVSS 108. The face of any device on the front/rear and sides should be, respectively perpendicular and parallel to the vehicle's centerline, unless it is photometrically certified at installation angle. No part of the vehicle shall prevent any device from meeting its prescribed requirements unless an auxiliary device meeting all prescribed requirements is installed.

IN CANADA: Manufacturers and importers of vehicles must have the proper certification test records demonstrating compliance of lighting components with all prescribed requirements.

BASIC EQUIPMENT REQUIRED ON ALL TRAILERS

DESCRIPTION				MANDATORY REQUIREMENTS			
Area	Equipment	SAE Lens Coding	Functional Purpose	Quantity	Color	Location	Height mm(in.) from the ground
1	Tail Lamps	(T)	Indicate vehicle's presence and width	Minimum 2	Red	On the rear - symmetrical as far apart as practicable	380-1830 (15-72)
	Stop Lamps	(S)	Indicate braking	Minimum 2	Red	On the rear - symmetrical as far apart as practicable	380-1830 (15-72)
	Rear Turn Signal Lamps	(R)	Indicate direction of turn	Minimum 2	Red or Yellow	On the rear - symmetrical as far apart as practicable	380-2110 (15-83)
	Rear Reflex Reflectors	(A)	Indicate vehicle's presence and width	Minimum 2	Red	On the rear - symmetrical as far apart as practicable facing rearward	380-1530 (15-60)
	License Plate Lamp(s)	(L)	Illuminates license plate	Minimum 1	White	On the rear - above or at the sides of license plate	No requirement
3	Rear Side Marker Lamps *photometrically certified at installation angle	(P2, PC1 or P3, PC2*)	Front and rear side marker lamps / side reflex reflectors indicate vehicle's presence and length	Minimum 2	Red	Each side at rear as far back as practicable under 2032mm (80") wide	390-1530 (15-60) no max. for veh.
	Rear Side Reflex Reflectors	(A)		Minimum 2	Red	Each side at rear as far back as practicable	350-1530 (15-60) facing sideward
4	Front Side Marker Lamps *photometrically certified at installation angle	(P2, PC1 or P3, PC2*)	Front and rear side marker lamps / side reflex reflectors indicate vehicle's presence and length	Minimum 2	Yellow	Each side at front as far forward as practicable	380 (15) minimum
	Front Side Reflex Reflectors	(A)		Minimum 2	Yellow	Each side at front as far forward as practicable facing sideward	380-1530 (15-60)

ADDITIONAL EQUIPMENT FOR TRAILERS EXCEEDING THE FOLLOWING PARAMETERS

Length 9.1m (30 ft.) or longer

DESCRIPTION				MANDATORY REQUIREMENTS			
Area	Equipment	SAE Lens Coding	Functional Purpose	Quantity	Color	Location	Height mm(in.) from the ground
5	Intermediate Side Marker Lamps	(P2 or P3)	Indicate presence of a long vehicle	Minimum 2	Yellow	Each side near center facing sideward	380 (15) minimum
	Intermediate Side Reflex Reflectors	(A)	Indicate presence of a long vehicle	Minimum 2	Yellow	Each side near center facing sideward	380-1530 (15-60)

Width 2032mm (80 in.) or wider

DESCRIPTION				MANDATORY REQUIREMENTS			
Area	Equipment	SAE Lens Coding	Functional Purpose	Quantity	Color	Location	Height
6	Rear Clearance Lamps *photometrically certified at installation angle	(P2, PC1 or P3, PC2*)	Show vehicle's width MAY NOT be combined with tail lamps	Minimum 2	Red	At widest point - symmetrical on the rear or near the rear facing rearward	As high as practicable may be lower only if ID lamps are at the top
7	Rear Identification (ID) Lamps	(P2 or P3)	Indicate presence of a wide vehicle	Exactly 3	Red	On the rear - center horizontally spaced 153mm (6 in.) to 300mm (12 in.) apart facing rearward	In Canada: at the top - may be lower if door header narrower than 25mm In USA: as high as practicable
8	Front Clearance Lamps *photometrically certified at installation angle	(P2, PC1 or P3, PC2*)	Show vehicle's width	Minimum 2	Yellow	At widest point - symmetrical on the front or near the front facing forward	As high as practicable

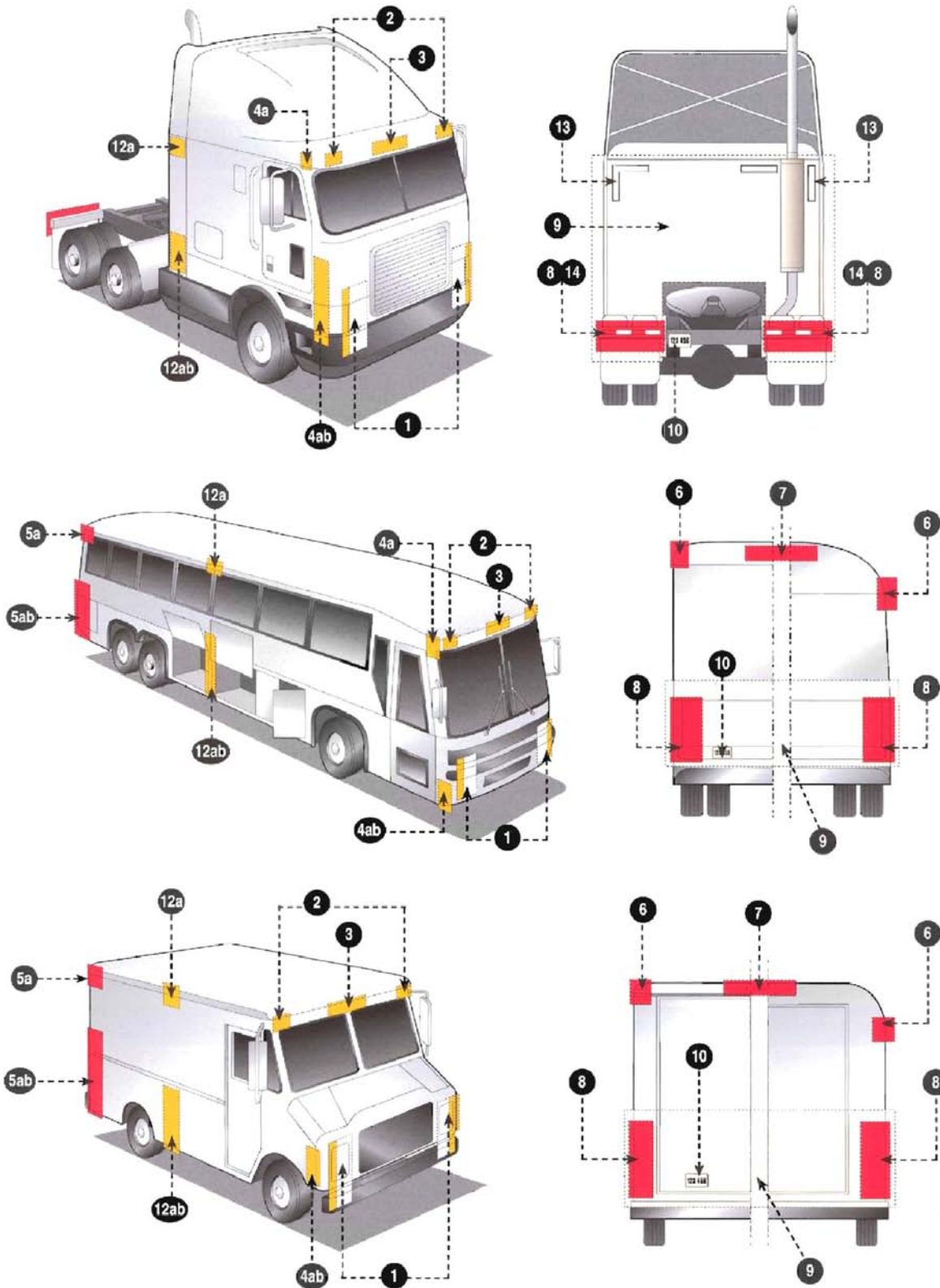
Width 2032mm (80 in.) or wider **AND** GVWR 4536 kg (10,000 lb.) or more

DESCRIPTION		MANDATORY REQUIREMENTS					
Area	Conspicuity Treatment	DOT Coding	Quantity	Color	Location	Height	Options
9	Rear Upper Body Markings	DOT-C DOT-C2 DOT-C3 DOT-C4	Exactly 2 pairs of 300mm long strips	White	On the rear upper corners facing rearward	At the top	Reflex reflectors may not be required if they are replaced at their required location with conspicuity treatment.
10	Bumper Bar Marking		Continuous	Red/White	On the rear bumper bar's horizontal element full width - facing rearward	No requirement	
11	Rear Lower Body Marking		Continuous	Red/White (see options)	On the rear full width of the vehicle facing rearward	As horizontal as practicable and as close as practicable to the range of 375 to 1525mm from the ground	Optional in Canada: Rear lower body and side conspicuity treatment may also be solid white, solid yellow, or white and yellow.
12	Side Marking		(see location)	Red/White (see options)	Each side - facing sideward continuous, or evenly spaced over minimum of 90% of length starts and ends as close to the front and rear of the vehicle as practicable	As horizontal as practicable and as close as practicable to the range of 375 to 1525mm from the ground	

The information provided on pages 12 - 16 summarizes lighting equipment requirements contained in Federal/Canada Motor Vehicle Safety Standard 108. For complete compliance requirements consult Title 49 - Code of Federal Regulations, Section 571.108 (USA) and Section 108 of the Motor Vehicle Safety Regulations (Canada). State or Provincial regulations, where they may apply, have not been included. Data and illustrations provided courtesy of NHTSA.

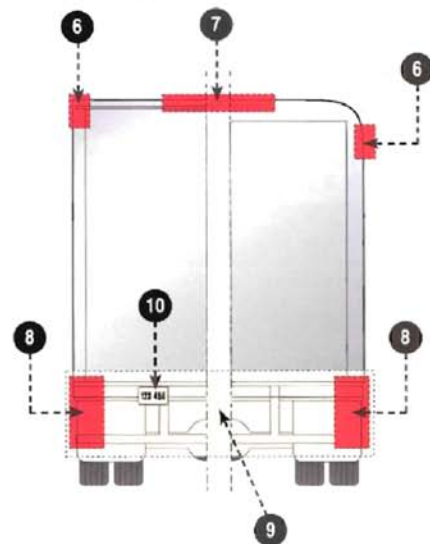
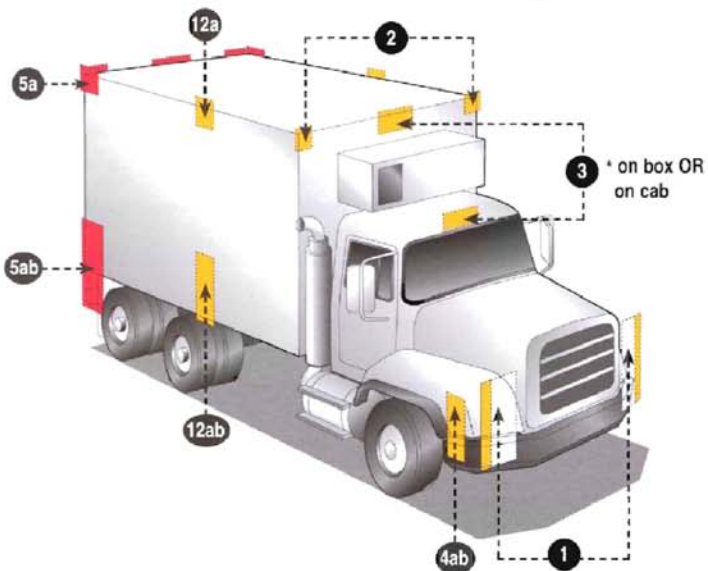
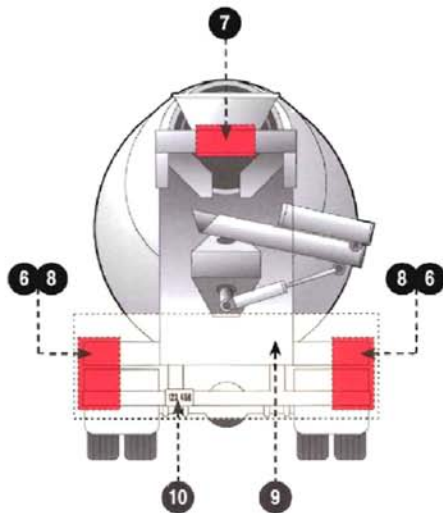
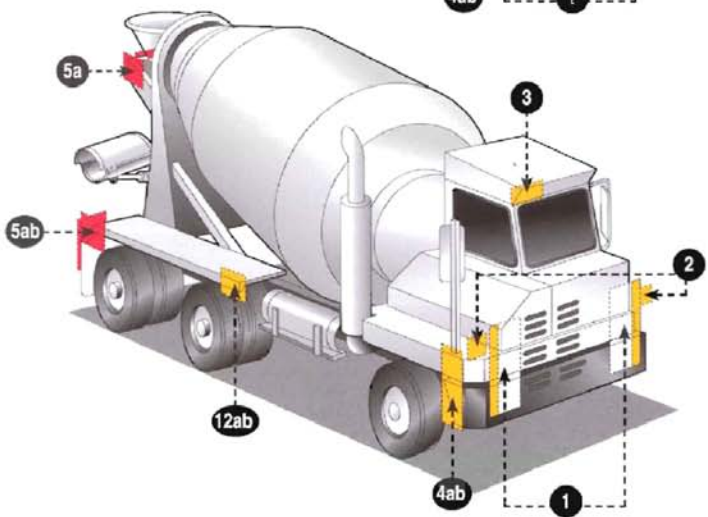
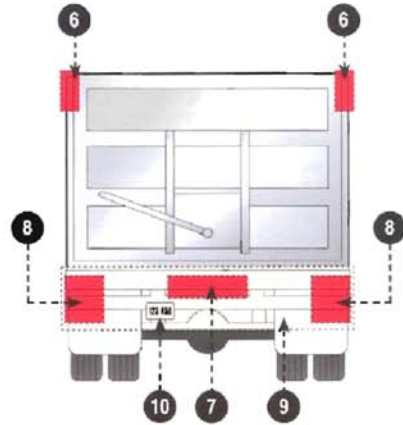
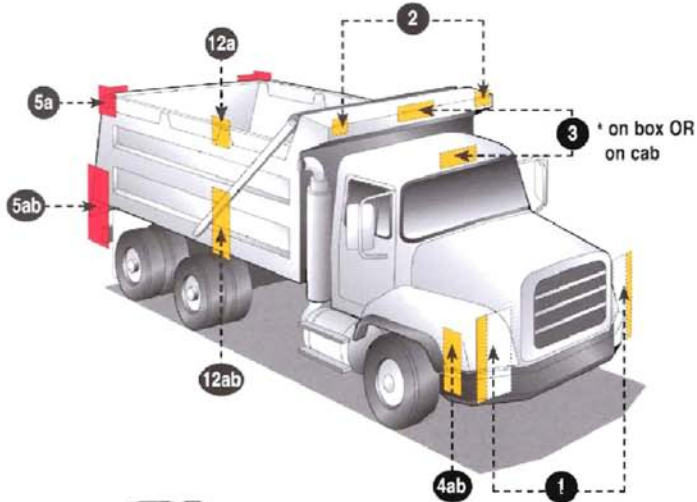


Peterson Heavy Duty Application Guide





Peterson Heavy Duty Application Guide





Trailer Electrical & Components



Peterson Heavy Duty Application Guide

IMPORTANT NOTE: Every lamp, reflex reflector, and conspicuity treatment must be permanently attached in the location specified below and must comply with all applicable requirements prescribed for it by FMVSS/CMVSS 108. The face of any device on the front/rear and sides should be, respectively perpendicular and parallel to the vehicle's centerline, unless it is photometrically certified at installation angle. No part of the vehicle shall prevent any device from meeting its prescribed requirements unless an auxiliary device meeting all prescribed requirements is installed.

IN CANADA: Manufacturers and importers of vehicles must have the proper certification test records demonstrating compliance of lighting components with all prescribed requirements.

BASIC EQUIPMENT REQUIRED ON ALL TRUCKS, BUSES & MPVs

DESCRIPTION				MANDATORY REQUIREMENTS			
Area	Equipment	SAE Lens Coding	Functional Purpose	Quantity	Color	Location	Height mm(in.) from the ground
1	Headlamps - Lower Beam US requires DOT lettering or lens US & Canada - light source code required on lens	(H-1 HR)	Forward road illumination	Minimum 2	White	On the front - symmetrical as far apart as practicable If 4 lamp system - outboard or above upper beams	560-1370 (22-54)
	Headlamps - Upper Beam US requires DOT lettering or lens US & Canada - light source code required on lens	(H-1 HR)	Forward road illumination	Minimum 2	White	On the front - symmetrical If 4 lamp system - inboard or below lower beams	560-1370 (22-54)
	Parking Lamps Vehicles less than 3032mm wide	(P)	Indicate parked vehicle	Minimum 2	White or Yellow	On the front - symmetrical as far apart as practicable	380-1330 (15-60)
	Daytime Running Lamps (DRL) Canada - required / US - option US requires DRL lettering on lens if not headlamp	(Y2)	Indicate in use vehicle	Minimum 2	White or Yellow	On the front - symmetrical as far apart as practicable	380-1150 min. Max. depends on type of DRL
Front Turn Signal/ Hazard Warning Lamps		(I)	Indicate direction of turn/ Identify disabled vehicle	Minimum 2	Yellow	On the front - symmetrical as far apart as practicable	380-2110 (15-83)
2	Front Clearance Lamps Vehicles 2032mm wide or wider Photometrically certified at installation angle	(P2, PC* or P3, PC2*)	Show vehicle's width	Minimum 2	Yellow	At widest point - symmetrical on the front or near the front facing forward	As high as practicable
	Front Identification Lamps (ID) Vehicles 2032mm wide or wider	(P2 or P3)	Indicate presence of a wide vehicle	Exactly 3	Yellow	On the front - center horizontally spaced 150mm (6 in.) to 300mm (12 in.) apart	As high as practicable or top of the cab
4	a Front Side Marker Lamps Photometrically certified at installation angle	IP2, PC* P3, PC2*	Front and rear side marker lamps / side reflex reflector indicate vehicle's presence and length	Minimum 2	Yellow	Each side at front as far forward as practicable	380 (15) minimum
	b Front Side Reflex Reflectors	(A)		Minimum 2	Yellow	At rear - symmetrical as far forward as practicable facing sideward	380-1530 (15-60)
5	a Rear Side Marker Lamps Photometrically certified at installation angle	(P2, PC* or P3, PC2*)	Rear and front side marker lamps / side reflex reflector indicate vehicle's presence and length	Minimum 2	Red	Each side at rear as far back as practicable	380 (15) minimum
	b Rear Side Reflex Reflectors Not required on Truck Tractors	(A)		Minimum 2	Red	Each side at rear as far back as practicable facing sideward	380-1530 (15-60)
6	Rear Clearance Lamps Vehicles 2032mm wide or wider Not required on Truck Tractors Photometrically certified at installation angle	(P2, PC* or P3, PC2*)	Show vehicle's width MAY NOT be combined with tail lamps	Minimum 2	Red	At widest point - symmetrical on the rear or near the rear facing rearward	As high as practicable may be lower only if rear ID lamps are at the top
7	Rear Identification (ID) Lamps Vehicles 2032mm wide or wider Not required on Truck Tractors	(P2 or P3)	Indicate presence of a wide vehicle	Exactly 3	Red	On the rear - center horizontally spaced 150mm (6 in.) to 300mm (12 in.) apart facing rearward	In Canada: at the top - lower if above header narrower than 25mm In USA: as high as practicable
8	Tail Lamps	(T)	Indicate vehicle's presence and width	Minimum 2	Red	On the rear - symmetrical as far apart as practicable	380-1830 (15-72)
	Stop Lamps	(S)	Indicate braking	Minimum 2	Red	On the rear - symmetrical as far apart as practicable	380-1830 (15-72)
	Rear Turn Signal/ Hazard Warning Lamps Rear Reflex Reflectors	(I) (A)	Indicate direction of turn/ Identify disabled vehicle Show vehicle's presence and width	Minimum 2 Minimum 2	Red or yellow Red	On the rear - symmetrical as far apart as practicable	380-2110 (15-83) 380-1530 (15-60)
9	Backup Lamp	(R)	Illuminates ground behind the vehicle and alert road users	Minimum 1	White	Rear	No requirement
10	License Plate Lamp(s)	(L)	Illuminates license plate	Minimum 1	White	On the rear - above or at the sides of license plate	No requirement
11	Center High Mounted Stop Lamp Vehicles less than 2032mm wide and 4500kg	(U3)	Indicates braking	1	Red	On the rear - centerline of the vehicle	850 (34) minimum

ADDITIONAL EQUIPMENT FOR SPECIFIC VEHICLES VEHICLES 9.1m (30 ft.) LONG OR LONGER

DESCRIPTION				MANDATORY REQUIREMENTS			
Area	Equipment	SAE Lens Coding	Functional Purpose	Quantity	Color	Location	Height mm(in.) from the ground
12	a Intermediate Side Marker Lamps	(P2 or P3)	Indicate presence of a long vehicle	Minimum 2	Yellow	Each side near center	380 (15) minimum
	b Intermediate Side Reflex Reflectors	(A)	Indicate presence of a long vehicle	Minimum 2	Yellow	Each side near center facing sideward	380-1530 (15-60)

Truck Tractors

DESCRIPTION		MANDATORY REQUIREMENTS					
Area	Conspicuity Treatment	DOT Coding	Quantity	Color	Location	Height	Options
13	Rear Upper Body Markings	(X01-C DOT-G2)	Exactly 2 pairs of 300mm long stripes	White	Rear - upper corners of top facing rearward	As high as practicable excluding fallings	
14	Rear Marking	(X01-C3 DOT-C4)	Exactly 2 sections of min. 600mm each	Red/ White	Rear - facing rearward - on fenders or mud flap brackets, or within 300mm below the top of mud flaps	As horizontal as practicable and not higher than 1525mm from the ground	If mud flaps not used - on the cab or frame mounted brackets

The information provided on pages 12-18 is minimum lighting equipment requirements contained in Federal/Canada Motor Vehicle Safety Standard 108. For complete compliance requirements by country, refer to the Code of Federal Regulations, Section 571.100 (USA) and Section 108 of the Motor Vehicle Safety Regulations (Canada). Size of Federal regulations, where they may apply, have not been included. Data and illustrations provided courtesy of NHISA.





Trailer Electrical & Components



It's Fast
It's Easy
It's Fun
Current Pricing
At Your Fingertips
Installation Guides
& Much More!

Stay up to date with our website!
Check your account status!
Shop On-Line 24/7!
Go to www.wholesaletrailer.com

Trailer: Electrical & Components